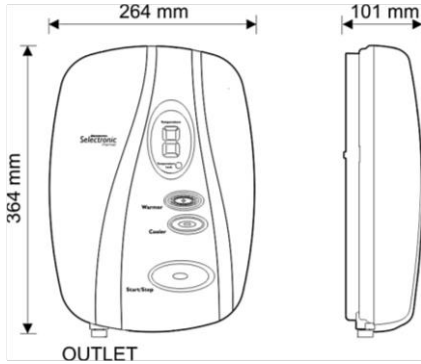
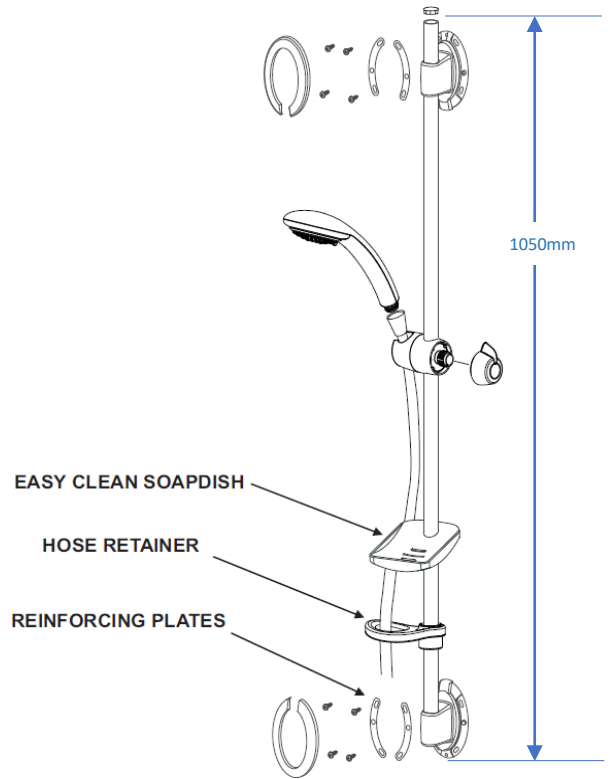
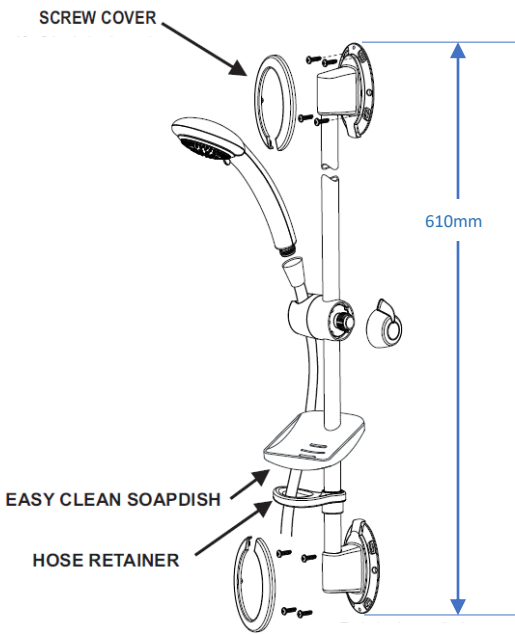
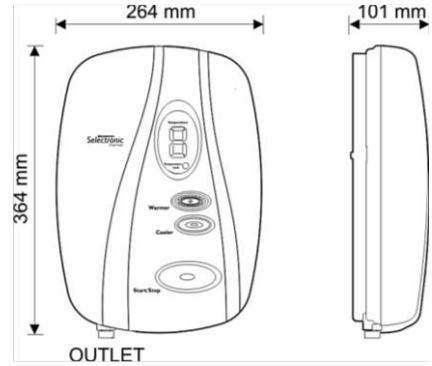


Selectronic Premier STANDARD Models



Selectronic Premier PLUS & WPC Models



STANDARD Accessories

|                    |                                 |
|--------------------|---------------------------------|
| Shower Models      | RSELP 85S / 95S / 108S          |
| Riser Rail         | Ø22mm x 540mm                   |
| Rail Brackets      | 4 point fixing (not reinforced) |
| Shower Hose Length | 1.25 metres                     |

PLUS & WPC Accessories

|                    |   |
|--------------------|---|
| Shower Models      | RSELP 85P / 95P / 85WPC / 9.5WPC        |
| Riser Rail         | Ø22mm x 1000mm                          |
| Rail Brackets      | 4 point fixing (metal plate reinforced) |
| Shower Hose Length | 2 metres                                |