



## INSTALLER AND OWNER GUIDE

Please keep me in a safe place for future use.

# I N S P I R E

COLLECTION

**Models;**      **600FS, 600RC**  
                  **800FS, 800RC**  
                  **1000FS, 1000RC**



Inset live fuel effect gas fire

We trust that this guide gives sufficient details to enable this appliance to be installed, operated and maintained satisfactorily. However, if further information is required, our **Valor Technical Helpline** will be pleased to help.

Telephone **0844 879 35 88** (National call rates apply in the United Kingdom).

In the Republic of Ireland Telephone **01 842 8222**.



**THIS APPLIANCE IS FOR USE WITH NATURAL GAS (G20).**

**THIS APPLIANCE IS SUITABLE ONLY FOR INSTALLATION IN THE UNITED KINGDOM (GB) AND THE REPUBLIC OF IRELAND (IE).**

**© GDC Group Ltd.**

All rights reserved. No part of this publication may be reproduced in any material form (including photocopying), stored in any medium by electronic means (including in any retrieval system or database) or transmitted, in any form or by any means, whether electronic, mechanical, recording or otherwise, without the prior written permission of the copyright owner.

Applications for the copyright owner's permission to reproduce any part of this publication should be made, giving details of the proposed use, to the following address: The Marketing Communications Manager, GDC Group Ltd, Millbrook House, Grange Dive, Hedge End, Southampton, SO30 2DF.

Warning: Any person who does any unauthorised act in relation to a copyright work may be liable to criminal prosecution and civil claims for damages.

**Because our policy is one of constant development and improvement, details may vary slightly from those given in this publication**

### **Safety First.**

Valor fires are CE Approved and designed to meet the appropriate British Standards and Safety Marks.



### **Quality and Excellence.**

All Valor fires are manufactured to the highest standards of quality and excellence and are manufactured under a BS EN ISO 9001 quality system accepted by the British Standards Institute.



### **The Highest Standards**

Valor is a member of the Benchmark scheme and HHIC (Heating and Hot water Industry Council) that work to ensure high standards of safety, quality and performance.



### **Careful Installation**

This gas fire must be installed by a competent GAS SAFE REGISTER operative in accordance with this installer guide.



# INSTALLER GUIDE

FOR OWNER GUIDE SEE PAGES 45 TO 64

# INSTALLER GUIDE

## CONTENTS

<u>Section</u>	<u>Page</u>
<b>INSTALLER GUIDE</b>	<b>4 - 44</b>
<b>OWNER GUIDE</b>	<b>45 - 64</b>
<b>1. APPLIANCE DIMENSIONS</b>	<b>8</b>
<b>2. SAFETY</b>	<b>9</b>
<b>3. THE BENCHMARKING SCHEME</b>	<b>10</b>
<b>4. APPLIANCE DATA, EFFICIENCY AND NO<sub>x</sub></b>	<b>11</b>
4.1 General information.	11
4.2 Efficiency.	12
4.3 NO <sub>x</sub>	12
4.4 Accessories	12
<b>5. GENERAL INSTALLATION REQUIREMENTS</b>	<b>13</b>
5.1 Regulations, Standards and Law.	13
5.2 Ventilation requirements.	13
5.3 The Atmosphere sensing device (ASD).	14
5.4 Fireguard requirements.	14
5.5 Room considerations.	14
5.6 Chimney preparation.	14
5.7 Fireplace preparation.	14
5.8 The fireplace.	15
5.9 Fireplace clearances.	15
5.10 Installation options.	16 - 17
5.11 Flues.	17
<b>6. PACK CONTENTS</b>	<b>18 - 19</b>
<b>7. FIREPLACE CHECK</b>	<b>20</b>
7.1 Soundness for appliance attachment.	20
7.2 Fireplace flue pull.	23
<b>8. GAS SUPPLY CONNECTION</b>	<b>20</b>
<b>9. PREPARING APPLIANCE FOR INSTALLATION</b>	<b>21 - 22</b>
<b>10. IGNITION CHECK</b>	<b>23</b>
10.1 Fitting batteries to the remote control handset (RC)	23
10.2 Fitting batteries to the battery box (RC)	23
10.3 Setting the handset and receiver relationship (RC)	24
10.4 Checking the ignition operation (RC)	24
10.5 Fitting slider handle to control cam (FS)	25
10.6 Fitting the battery into spark ignition generator (FS)	25
10.7 Checking the ignition operation	25

Continued on next page

## CONTENTS (Continued)

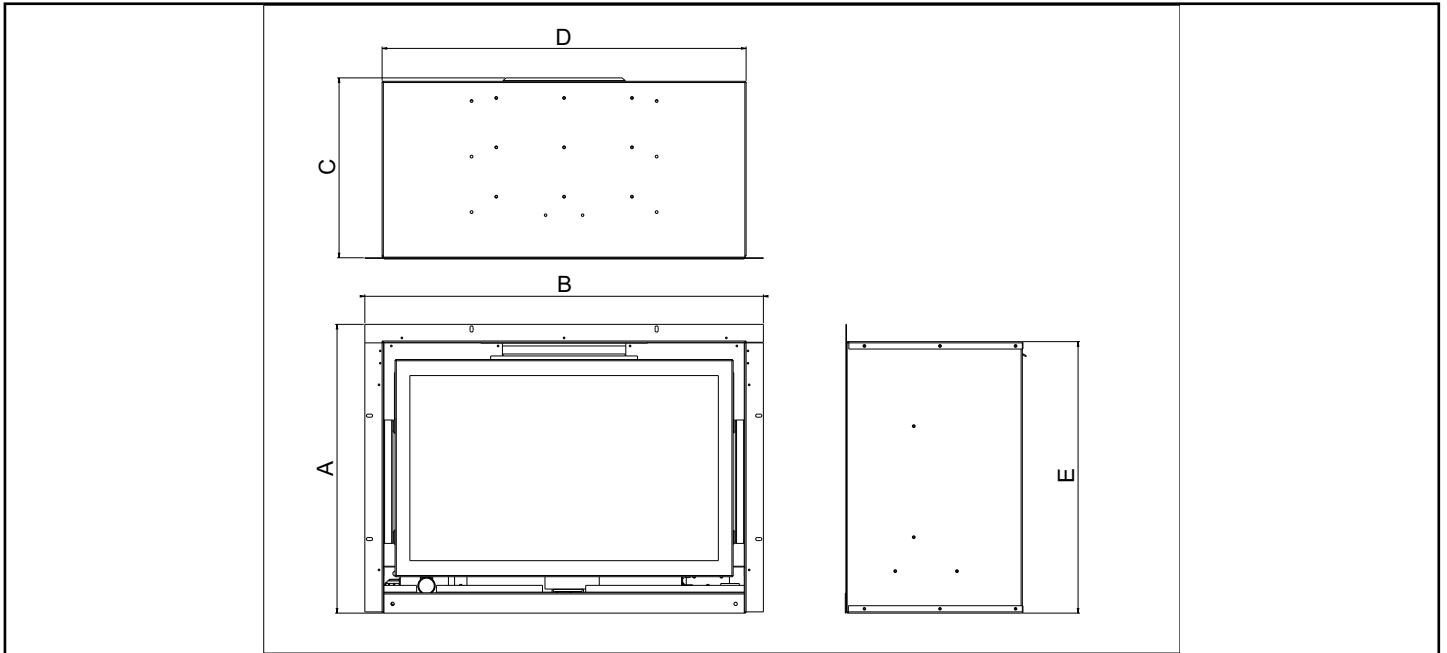
<b>Section</b>	<b>Page</b>
<b>11. CONVECTION BOX INSTALLATION</b>	<b>26</b>
11.1 Method 1 - Front fixing to fireplace surround.	26
11.2 Method 2 - Cable retention and floor fixing.	26 - 27
11.3 Sealing floor front - Method 1 & 2 inc Frameless	28
<b>12. FITTING THE WALL LINERS &amp; FUEL EFFECT</b>	<b>29</b>
12.1A Fitting the Single piece rear wall liner (Ceramic/Glass)	29
12.1B Fitting the Two or Three piece rear wall liners (Vermiculite)	29
12.2 Fitting the Glass liners spacer support and filler piece.	29
12.3 Fitting the side wall liners (Vermiculite/Ceramic/Glass.	29
12.4 Fitting the log fuel effect	30
<b>13. BURNER AND SUPPLY PIPE INSTALLATION</b>	<b>30</b>
13.1 Burner installation.	30
13.2 Supply pipe installation.	30
13.3 Burner checks.	30
- 13.3.1 Lighting the fire (RC)	30
- 13.3.2 Adjusting flame height (RC)	31
- 13.3.3 Adjusting to pilot only (RC)	31
- 13.3.4 Turing off (RC)	31
- 13.3.5 Lighting the fire (FS)	31
- 13.3.6 Adjusting flame height (FS)	32
- 13.3.7 Turning off (FS)	32
13.4 Check inlet pressure.	32
<b>14. REASSEMBLE OF FIRE</b>	<b>33</b>
14.1 Fitting the bottom tray into convector box	33
14.2 Fitting the top tray into the convector box	33
14.3 Positioning the ember wool accross the burners	33
14.4 Replacing the log fuel effect	34
14.5 Refit the window door panel	34
14.5 Refit the visual baffle	34
<b>15. FULL OPERATING CHECKS</b>	<b>34</b>
15.1 Check the burner operation.	34
15.2 Check for spillage.	34
15.3 Flame supervision and spillage monitoring system.	35
<b>16. TRIM OR FRAMELESS INSTALLATION</b>	<b>36</b>
<b>17. FINAL REVIEW</b>	<b>37</b>

Continued on next page

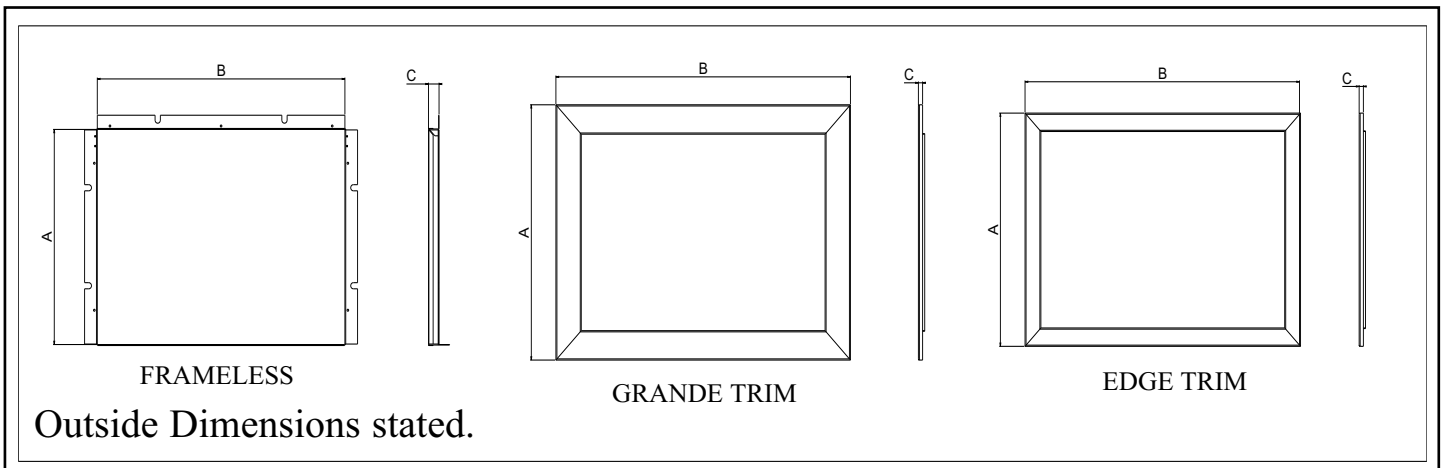
<u>Section</u>	<u>Page</u>
<b>18. SERVICING &amp; PARTS REPLACEMENT</b>	<b>38</b>
18.1 To remove the trim.	38
18.2 To remove the visual baffle.	39
18.3 To remove the window door panel.	39
18.4 To remove the fuel effect and ember wool	39
18.5 To remove the top tray.	40
18.6 To remove the base tray.	40
18.7 To remove the burner assembly and tray	40
18.8 To access and remove the Inspection panel	40
18.9 Checking the aeration settings of the burners	40
18.10 To remove the wall liners	41
18.11 To remove the pilot unit.	41
18.12 To remove the Mertik GV60 gas valve. (RC)	42
18.13 To remove the Teddington gas valve and switch. (FS)	43
18.14 To remove the receiver box. (RC)	43
18.15 To remove the thermocouple interrupter block. (RC)	44
18.16 To replace the burner (s).	44
18.17 To remove the burner injector.	44
18.18 To remove the appliance from the fireplace.	44

# INSTALLER GUIDE

## 1. APPLIANCE DIMENSIONS



Dimension	600FS / 600RC	800FS / 800RC	1000FS / 1000RC
A	470 mm	470 mm	470 mm
B	646 mm	846 mm	968 mm
C	293 mm	293 mm	293 mm
D	596 mm	796 mm	918 mm
E	443 mm	443 mm	443 mm



Dimension	600FS / 600RC Frameless	800FS / 800RC Frameless	1000FS / 1000RC Frameless	600FS / 600RC Grande Trim	800FS / 800RC Grande Trim	1000FS / 1000RC Grande Trim	600FS / 600RC Edge Trim	800FS / 800RC Edge Trim	1000FS / 1000RC Edge Trim
A	443 mm	443 mm	443 mm	521 mm	521 mm	521 mm	476 mm	476 mm	476 mm
B	590 mm	790 mm	912 mm	697 mm	897 mm	1019 mm	652 mm	852 mm	974 mm
C	25 mm	25 mm	25 mm	10 mm	10 mm	10 mm	10 mm	10 mm	10 mm



### Installer

Before continuing any further with the installation of this appliance please read the following guide to manual handling.

– The lifting weight of this appliance (kg) is approx as below:

<u>Model</u>	<u>Weight</u>
600RCInspire engine only*	18.0 Kg
600FS Inspire engine only*	17.5 Kg
800RCInspire engine only*	26.5 Kg
800FS Inspire engine only*	26.0 Kg
1000RC Inspire engine only*	28.5 Kg
1000FS Inspire engine only*	28.0 Kg

*\*excludes all trims options & ceramic log sets.*

These appliances are heavy. We therefore recommend that two person's should be sufficient to lift the fire. If fitting or moving the fire alone we recommend the use of suitable lifting apparatus.

- When lifting always keep your back straight. Bend your legs and not your back.
- Avoid twisting at the waist. It is better to reposition your feet.
- Avoid upper body/top heavy bending. Do not lean forward or sideways whilst handling the fire.
- Always grip with the palm of the hand. Do not use the tips of fingers for support.
- Always keep the fire as close to the body as possible. This will minimise the cantilever action.
- Use gloves to provide additional grip.
- Always use assistance if required.
- **This product uses log fuel effect pieces, burner compartment walls and ceramic pebbles containing Refractory Ceramic Fibres (RCF), which are man-made vitreous silicate fibres. Excessive exposure to these materials may cause irritation to eyes, skin and respiratory tract. Consequently, it is important to take care when handling these articles to ensure that the release of dust is kept to a minimum. To ensure that the release of fibres from these RCF articles is kept to a minimum, during installation and servicing we recommend that you use a HEPA filtered vacuum to remove any dust and soot accumulated in and around the fire before and after working on the fire. When replacing these articles we recommend that the replaced items are not broken up, but are sealed within a heavy duty polythene bag, clearly labelled as RCF waste. RCF waste is classed as a stable, non-reactive hazardous waste and may be disposed at a landfill licensed to accept such waste. Protective clothing is not required when handling these articles, but we recommend you follow the normal hygiene rules of not smoking, eating or drinking in the work area and always wash your hands before eating or drinking.**
- **This appliance does not contain any component manufactured from asbestos or asbestos related products.**

GDC Group is a licensed member of the Benchmark Scheme which aims to improve the standards of installation and commissioning of domestic heating and hot water systems in the UK and to encourage regular servicing to optimise safety, efficiency and performance. Benchmark is managed and promoted by the Heating and Hotwater Industry Council.

It places responsibilities on both manufacturers and installers. The purpose is to ensure that customers are provided with the correct equipment for their needs, that it is installed, commissioned and serviced in accordance with the manufacturer's instructions by competent persons and that it meets the requirements of the appropriate Building Regulations.

The Benchmark Checklist (on the inside back pages of this guide) can be used to demonstrate compliance with Building Regulations and should be provided to the customer for future reference.

Installers are required to carry out installation, commissioning and servicing work in accordance with the Benchmark Code of Practice which is available from the Heating and Hotwater Industry Council who manage and promote the Scheme. Visit [www.centralheating.co.uk](http://www.centralheating.co.uk) for more information.

At the time of commissioning, complete all relevant sections of the Benchmark Checklist located on the inside back pages of this document.



# INSTALLER GUIDE

## 4. APPLIANCE DATA, EFFICIENCY, NO<sub>x</sub> AND Accessories

### 4.1 General information.

The appliance information label is located on the burner tray on the left hand side of the fire. This can be found by removing the Visual Baffle and Trim if fitted.

Models	600FS/600RC	800FS/800RC	1000FS/1000RC
Gas	Natural (G20)	Natural (G20)	Natural (G20)
FS & RC Input - Max (Gross)	6.0kW (20,473 Btu/hr)	6.4kW (21,838 Btu/hr)	6.95kW (23,714 Btu/hr)
RC Input - Med (Gross)	3.2kW (10,918 Btu/hr)	3.3kW (11,260 Btu/hr)	3.5kW (11,942 Btu/hr)
RC Input - Min (Gross)	2.4kW (8,189 Btu/hr)	2.4kW (8,189 Btu/hr)	2.5kW (8,530 Btu/hr)
FS Input - Med (Gross)	3.2kW (10,918 Btu/hr)	3.1kW (10,578 Btu/hr)	3.7kW (12,625 Btu/hr)
FS Input - Min (Gross)	2.4kW (8,189 Btu/hr)	2.4kW (8,189 Btu/hr)	2.8kW (9,554 Btu/hr)
Inlet Test Pressure (Cold)	20.0 +/- 1.0 mbar (8.0 +/- 0.4in w.g.)	20.0 +/- 1.0 mbar (8.0 +/- 0.4in w.g.)	20.0 +/- 1.0 mbar (8.0 +/- 0.4in w.g.)
Gas Connection	8mm pipe	8mm pipe	8mm pipe
Front Burner Injector (FS)	Cat 18 - 180	Cat 18 - 180	Cat 18 - 220
Front Burner Injector (RC)			Cat 18 - 200
Rear Burner Injector (FS & RC)	Cat 18 - 180	Cat 18 - 220	Cat 18 - 260
Pilot & Atmosphere Sensing Device	NG9093	NG9093	NG9093
Ignition (RC)	Battery powered electronic remote control & battery pack	Battery powered electronic remote control & battery pack	Battery powered electronic remote control & battery pack
Ignition (FS)	Electronic (Mounted on gas valve)	Electronic (Mounted on gas valve)	Electronic (Mounted on gas valve)

## 4.2 Efficiency.

The efficiency of this appliance has been measured as specified in BS 7977 - 1 and the results are as below :

<b>Model</b>	<b>Efficiency % (Gross)</b>	<b>Efficiency % (Net)</b>
600RC & 600FS Inspire	68%	75%
800RC & 800FS Inspire	72%	80%
1000RC & 1000FS Inspire	70.5%	78%

Gas	Conversion factor from <b>net</b> to <b>gross</b> efficiency
Natural Gas	0.901

The gross calorific value of the fuel has been used for this efficiency calculation.

The conversion of **net** efficiency to **gross** was achieved by multiplying the net efficiency by the following conversion factor from Table E3 of SAP 2005, rounding down to the nearest whole number.

## 4.3 NO<sub>x</sub>

For NG the 'Weighted' result for these appliances equates to NO<sub>x</sub> Class 4.

## 4.4 Accessories

Gather Hood Connector	Inspire 600FS/600RC	Product Code: <b>061638</b>
Gather Hood Connector	Inspire 800FS/800RC & Inspire 1000FS/1000RC	Product Code: <b>061645</b>

### 5.1 Regulations, Standards and Law.

The installation must be in accordance with these instructions.

For the user's protection, in the United Kingdom it is the law that all gas appliances are installed by competent persons in accordance with the current edition of the Gas Safety (Installation and Use) Regulations. Failure to install the appliance correctly could lead to prosecution. GAS SAFE REGISTER require their members to work to recognised standards.

In the United Kingdom the installation must also be in accordance with:

All the relevant parts of local regulations.

All relevant codes of practice.

The relevant parts of the current editions of the following British Standards:-

BS EN 1856 Part 1 Chimneys - Requirements for metal chimneys.

BS 5440 Part 1 Installation of flues.

BS 5440 Part 2 Installation and maintenance of flues and ventilation for gas appliances of rated input not exceeding 70 kw net (1st, 2nd and 3rd family gases).

BS 6461 Part 1 Masonry chimney & flues - Installation.

BS 1251 Fireplace components.

BS 5871 Part 2 Installation - Inset LFE gas fires.

BS 6891 Gas pipework installation.

- In England and Wales, the current edition of the Building Regulations issued by the Department of the Environment and the Welsh Office.
- In Scotland, the current edition of the Building Standards (Scotland) Regulations issued by the Scottish Executive.
- In Northern Ireland, the current edition of the Building regulations (Northern Ireland) issued by the Department of the Environment for Northern Ireland.
- In the Republic of Ireland the installation must be carried out by a competent person and also conform to the relevant parts of:
  - a) The current edition of IS 813 "Domestic Gas Installations"
  - b) All relevant national and local rules in force.

Where no specific instructions are given, reference should be made to the relevant British Standard Code of Practice.

### 5.2 Ventilation requirements.

Normal adventitious ventilation is usually sufficient to satisfy the ventilation requirements of this appliance. In GB reference should be made to BS 5871 Part 2 and in IE reference should be made to the current edition of IS 813 "Domestic Gas Installations" which makes clear the conditions that must be met to demonstrate that sufficient ventilation is available.

## **5.3 The Atmosphere sensing device (ASD).**

The appliance is fitted with an A.S.D (Atmosphere sensing device). If the appliance closes down after a period of operation for no apparent reason, the consumer should be informed to stop using the appliance until the installation and appliance have been thoroughly checked. The A.S.D will shut the appliance down if an unacceptable amount of harmful products of combustion accumulate. Under no circumstances should the A.S.D be altered or bypassed in any way. Only a genuine manufacturer's replacement part should be fitted. The individual A.S.D components are not replaceable.

## **5.4 Fireguard requirements.**

A fireguard complying with BS 8423 should be fitted for the protection of young children, the elderly, the infirm and pet animals.

## **5.5 Room considerations.**

**5.5.1** This appliance must not be installed in any room that contains a bath or shower or where steam is regularly present.

**5.5.2** An extractor fan may only be used in the same room as this appliance, or in any area from which ventilation for the appliance is taken, if it does not affect the safe performance of the appliance. Note the spillage test requirements detailed further on in this manual. If the fan is likely to affect the appliance, the appliance must not be installed unless the fan is permanently disconnected.

**5.5.3** Do not place any flammable materials within a distance of 0.5 m of the radiation of the appliance and ventilation grills.

## **5.6 Chimney preparation.**

**5.6.1** If the appliance is intended to be installed to a chimney that was previously used for solid fuel, the flue must be swept clean prior to installation. All flues should be inspected for soundness and freedom from blockages.

**5.6.2** Any chimney damper or restrictor should be removed. If removal is not possible, they must be secured in the open position.

## **5.7 Fireplace preparation.**

**5.7.1** If the fireplace opening is an underfloor draught type, it must be sealed to stop any draughts.

**5.7.2** The fireplace floor should be reasonably flat to ensure that the convection box can be installed without it rocking and so that a good seal can be made at the bottom front of the box.

**5.7.3** The front face of the fireplace should be reasonably flat over the area covered by the convection box top and side flange seals to ensure good sealing. These faces should be made good if necessary.

# INSTALLER GUIDE

**5.7.4** Like all efficient gas fires care should be taken to the choice and layout of installed back panels. Marble and other similar natural materials may have microscopic flaws or stress points, under heat these may open and crack. If in doubt the use of a three/four piece back panel layout is recommended.

## 5.8 The fireplace.

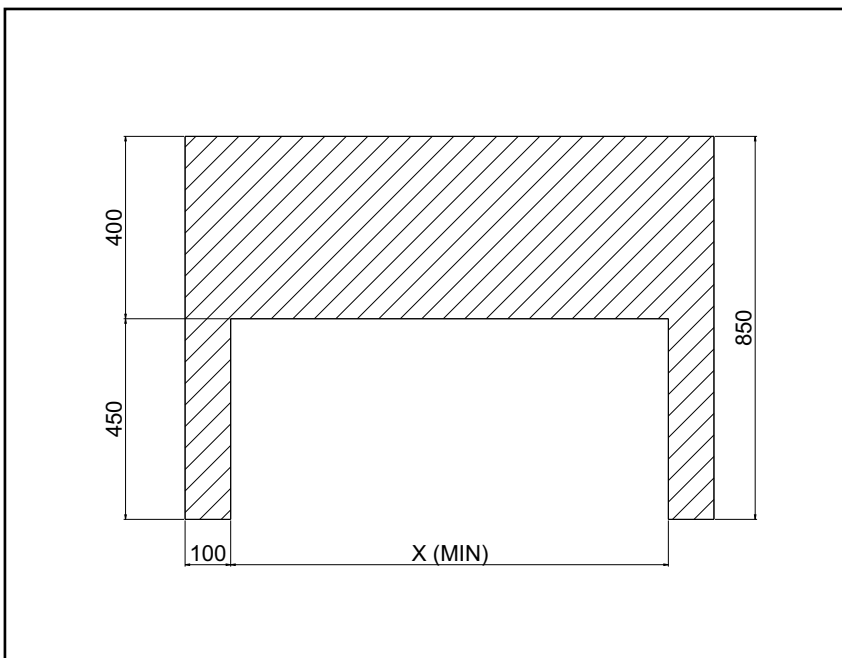
The appliance can be fitted to a purpose made proprietary class “O”-150°C surround. The hearth material must be at least 12mm thick. The periphery of the hearth (or fender) should be at least 50mm above floor level to discourage the placing of carpets or rugs over it.

The surface of the hearth must be sufficiently flat to enable the bottom of the front surround and the bottom front cover to be aligned horizontally. Any excessive unevenness (uneven tiles, Cotswold stone, etc.) should be rectified.

The appliance must not stand on combustible materials or carpets. Where no hearth is fitted.

## 5.9 Fireplace clearances.

**5.9.1** DO NOT install onto a combustible wall; all combustible materials must be removed from the area shown in below diagram. The use of heat resistant plaster or board is recommended within the below shaded areas.



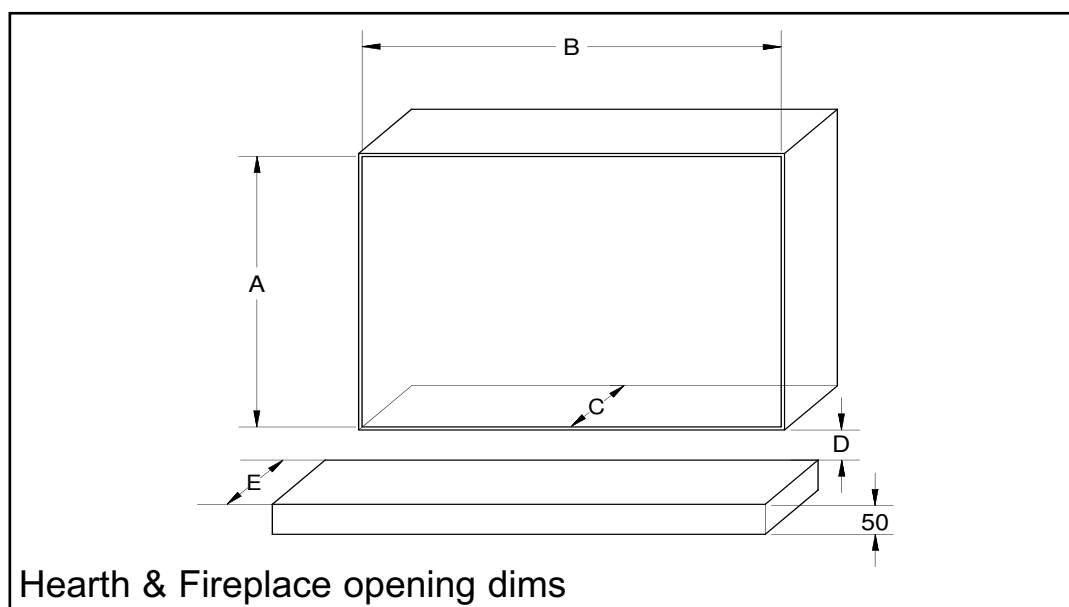
Model	Dimension X
600FS / 600RC	600 mm Min
800FS / 800RC	800 mm Min
1000FS / 1000RC	922 mm Min

**5.9.2** A combustible shelf must be a minimum of 400mm above the top of the appliance. This is based on a 150mm deep shelf. For every extra 13mm of depth add 25mm above the 400mm from the top of the appliance, not the trim.

**5.9.3** A side wall must be a minimum of 300mm from the side of the appliance, not the trim.

## 5.10 Installation options.

In the United Kingdom, as supplied, the appliance can be installed in the following situations:



Dimension	600FS / 600RC	800FS / 800RC	1000FS / 1000RC
A	460 mm Max / 450 mm Min	460 mm Max / 450 mm Min	460 mm Max / 450 mm Min
B	635 mm Max / 600 mm Min	835 mm Max / 800 mm Min	957 mm Max / 922 mm Min
C	340 mm Min	340 mm Min	340 mm Min
D (Edge Trim)	5 mm Min	5 mm Min	5 mm Min
D (Grande Trim)	28 mm Min	28 mm Min	28 mm Min
E	300 mm Min	300 mm min	300 mm min

**Note: “D” dimension critical for clearance of the trim depth**

### 5.10.1 Conventional fireplace and hearth.-

To a fireplace opening and hearth complying with BS1251 after removal of the fireback and sufficient material behind the fireback for a debris catchment space.

### 5.10.2. ‘Hole-in-the-wall’ Installations

- It is recommended that a hearth should be installed as in section 5.8.
- If a hearth is not fitted, the fire must be installed so that the distance from the base of the fireplace opening in the wall to the finished floor level is at least 110mm. Where there is no floor covering or carpet and the floor is of a type that is likely to be covered in such a way in the future then the distance from the base of the fireplace opening in the wall to the floor level should be increased to at least 180mm.



## 5.10.3. Gather hood installation in Stud work Chimney

The Inspire gas fire products are intended to be used only in a fireplace of non-combustible material. However if a stud work chimney breast is used the builder/installer **MUST** ensure to leave a minimum **75mm** clear to the sides of the appliance and a minimum of **100mm** clear to the rear of the gather hood connector.

Directly above the appliance the area should be left clear to prevent a build-up of heat. If the fireplace wall ends at ceiling height two air vents of at least 50cm<sup>2</sup> should be installed one at the bottom and one at the top of the wall to reduce heat build-up.

**Note:** There are three suitable Convectional Flue Options;

1. Rear exit - Builders opening Unlined 178mm (7") minimum.
2. Top Exit - Builders opening Lined 127mm (5")
3. Stud work is Top Exit only - Twin Wall Rigid 127mm (5")

## 5.11 Flues.

1. Suitable flues and minimum flue sizes are as follows: -

*It should be noted that, as with many appliances, sharp bends or horizontal runs in metal flues at the top of the system can be a cause of problems in these types of installation.*

- 225mm x 225mm conventional brick flue.
- 125mm and 175mm diameter lined brick or stone flue.
- 200mm diameter factory made insulated flue manufactured to BS4543 Part 2.
- 175mm diameter flue pipe. See BS6461 Part 1 for suitable materials.
- Single wall, twin wall or flexible flue liner with a minimum diameter of 125mm. The materials to be used are stainless steel or aluminium as specified in BS EN 1856 Part 1. The liner must be sealed to the surrounding area above the fireplace opening and to the top of the chimney. An approved terminal must be fitted.

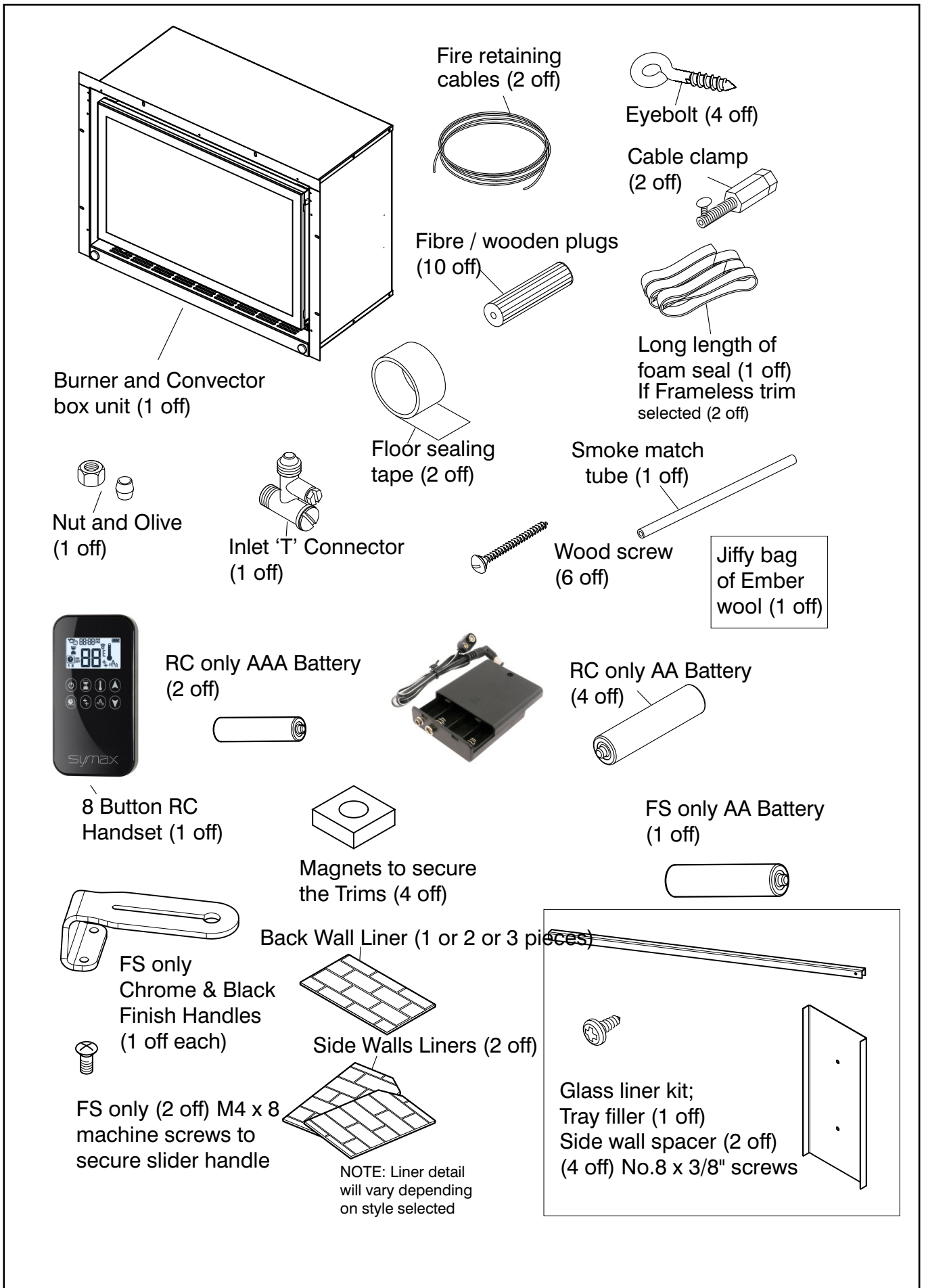
2. The flue must conform to BS 5440: Part 1 in design and installation.

The flue, measured from the bottom of the fireplace opening to the bottom of the terminal, shall be not less than 3m in actual vertical height. When calculated in accordance with BS 5440: Part 1 Annex A, the minimum equivalent height of the flue shall be 2.0m of 125mm dia. flue pipe.

3. The flue must not be used for any other appliance or application.

4. Proprietary terminals must comply with BS 715 or BS 1289. Any terminal or termination must be positioned in accordance with BS 5440 Part 1 to ensure that the products of combustion can be safely dispersed into the outside atmosphere. Where the appliance is connected to an unlined brick chimney it is generally unnecessary for the chimney pot to be replaced or for a terminal to be fitted unless the flue has a diameter smaller than 170mm.

# INSTALLER GUIDE



# INSTALLER GUIDE

## 6. PACK CONTENTS

The items required for this appliance are packed in sections.

**The Ceramic/Vermiculite/Glass liner options are all fragile so care necessary when handling. They are packed inside the top fitment as you open the carton.**

### Section 1 - Fire unit contains:

- 1 Burner and convection box unit.
- 1 Log fuel effect set
- 1 Literature packs
- 1 Frameless kit (ONLY If ordered instead of a Trim)

### Section 2 - Accessory box contains:

- 1 Wall liners set (two sides and depending on Model & Style 1, 2 or 3 rear pieces)
- 1 Self adhesive foam seal
- 2 Self adhesive foam seal (ONLY with Frameless kit extra foam seal)
- 6 Wood screws
- 10 Wood Wall plugs
- 2 Cable clamps
- 2 Fire retaining cables
- 4 Eyebolts
- 2 Floor sealing tape
- 1 'T' connector and pressure test point.
- 1 Nut and olive for 8mm inlet pipe.
- 1 Smoke match tube
- 1 Ember wool (600 approx 1 g / 800 approx 2 g / 1000 approx 3 g)
- 2 Slider handle (FS only - Choice of either Chrome or Black handle can be fitted)
- 2 M4 x 8 machine screws (FS only - to secure the Slider handle)
- 1 Alkaline 'AA' Battery (FS models only)
- 1 8 button remote control handset. (RC models only)
- 2 Alkaline 'AAA' Batteries. (RC models only)
- 1 Battery box (RC models only)
- 4 Alkaline 'AA' Batteries. (RC models only)
- 1 Tray filler (Only on models with Glass liners selected)
- 2 Side wall glass spacers (Only on models with Glass liners selected)
- 4 No.8 x 3/8" Tapping Screws (Used to fit the side wall spacers)

### Section 3 - Trim pack contains:

- 1 Trim.
- 4 Square magnets (Used to secure Trim onto engine)

Carefully remove all the contents. Take special care in handling the ceramic pieces. Check that all the listed parts are present and in good condition.

### 8.1 Soundness for appliance attachment

Primary method of retaining the appliance is by fixing to the fireplace front.

#### 2) Using concealed

The methods are detailed in section 11 of this manual. Before selecting the retention method, consult with the customer. Method 2 is provided for instances where drilling holes in the front surface of the fireplace surround is unacceptable to the customer or otherwise impractical. *N.B. It is unwise to attempt to drill into marble without the proper tools and equipment.*

If method 1 is chosen, make sure that the front surround area is sound enough to take the wall plugs and wood screws. If necessary, make sound with suitable cement. If method 2 is chosen, make sure that the areas at the back and towards the centre of the fireplace floor are sound enough to take the eyebolts and screws. If these areas have deteriorated due to prolonged use, they should be made sound with suitable cement.

### 8.2 Fireplace flue pull.

Close all doors and windows in the room in which the appliance is to be installed.

After confirming with a match that smoke is drawn into the flue, light a 13 gram smoke pellet and check that there is a definite flow through the flue. Verify outside that the smoke exits from one terminal only and that the termination is suitable.

Observe where possible, upstairs rooms and loft spaces for signs of escaping smoke indicating a defective flue. If there is not a definite flow warm the flue for a few minutes and repeat the smoke pellet test. If there is still no definite flow the flue may need remedial work – **Do not fit the appliance until there is a definite flow through the flue.**

## 8 . GAS SUPPLY CONNECTION

The fire is designed for a rear concealed connection only.

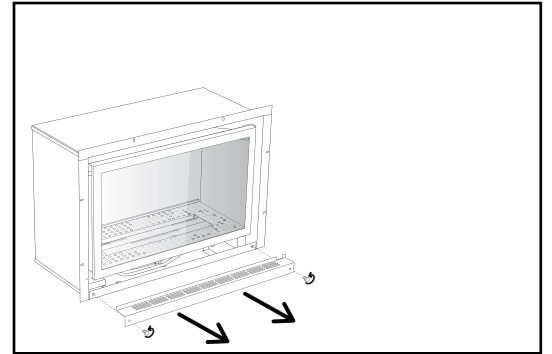
A nut and olive are provided for an 8mm pipe inlet connection to the 'T' connector at the bottom front of the appliance. The 'T' connector can be rotated to allow connection and includes a valve for isolating the gas supply and a pressure test point. The supply pipe must be rigid material. Flexible pipe must not be used.

**Before the appliance is fitted into the fireplace** it will be necessary to extend the supply line so that it will project through the hole in the back of the convection box and run to the 'T' connector at the front. The pipe run from the supply line up to the rear opening in the convection box must be kept away from the area which will be taken by the convection box when it is installed.

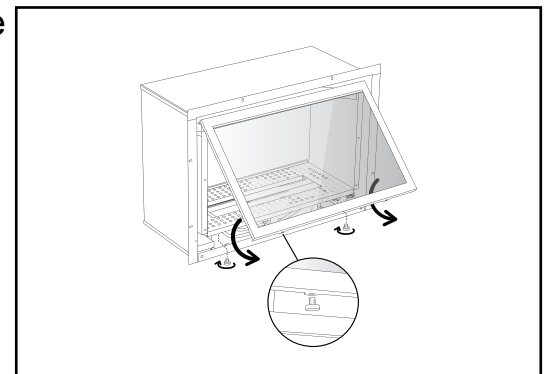
# INSTALLER GUIDE

## 9. PREPARING APPLIANCE FOR INSTALLATION

1. Remove the visual baffle, by unscrewing by hand the two M5 knurled screws in an anti clockwise direction. Keep these two screws save as they will be needed later. Carefully slide out the visual baffle and place carefully to one side.

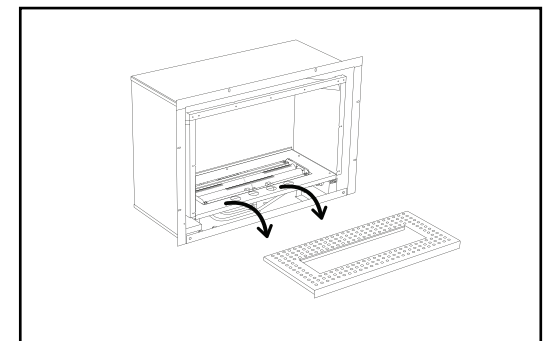


2. Remove the glass door, by unscrewing by hand the two M5 knurled screws in an anti clockwise direction located just under the base of the door frame. Keep these two screws save as they will be needed later. Carefully lift out at the base then up and away from the convection box. Place carefully to one side.

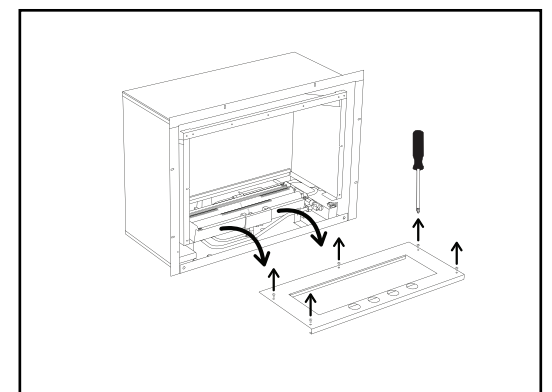


3. Remove the Log set box and carefully place to one side.

4. Lift up and out the Top tray and carefully place to one side. There are no screws holding this tray inplace.



5. Unscrew the base tray, then remove by lifting up and out. Place to one side carefully.

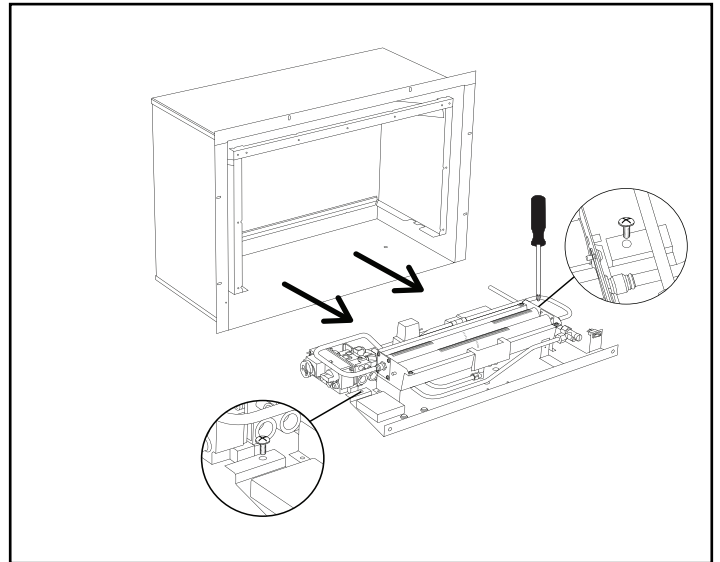


# INSTALLER GUIDE

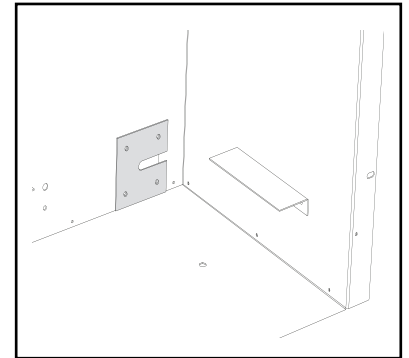
6. Detach the burner tray from the convection box by removing two locating screws. Slide the burner tray forward and clear of the convection box.

## IMPORTANT

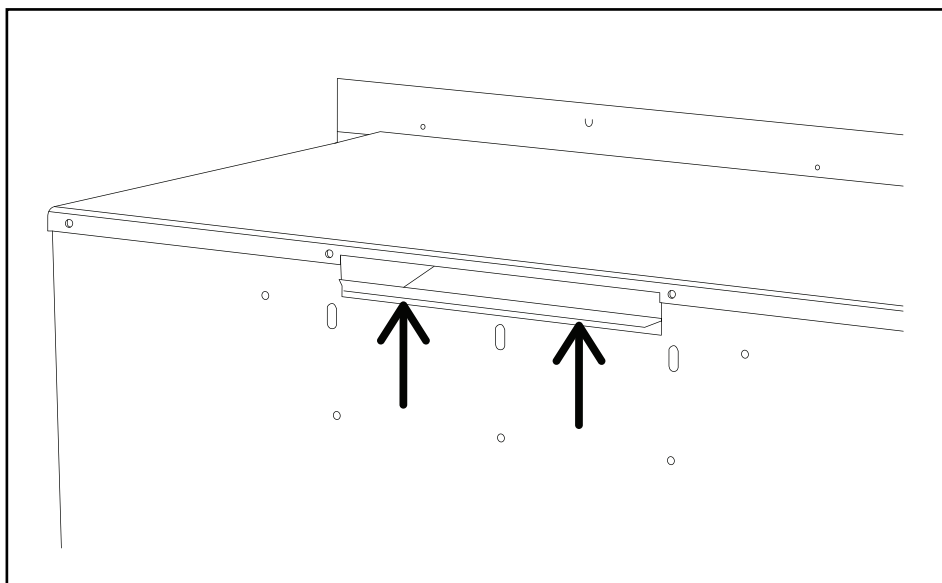
**Before continuing with the installation of this gas fire the aeration setting on the burner must be checked. The aeration is factory set and should not require adjustment. (Ref: Page 40)**



7. It is important that the inlet cover plate supplied in the Accessory parts pack is fitted to cover the entry hole in the inside rear of the convection box. The inlet cover plate has a slot to allow the pipe to pass through its center. The slot is larger than the 8mm pipe so the remaining open area **MUST** be sealed with tape after the pipe is located.



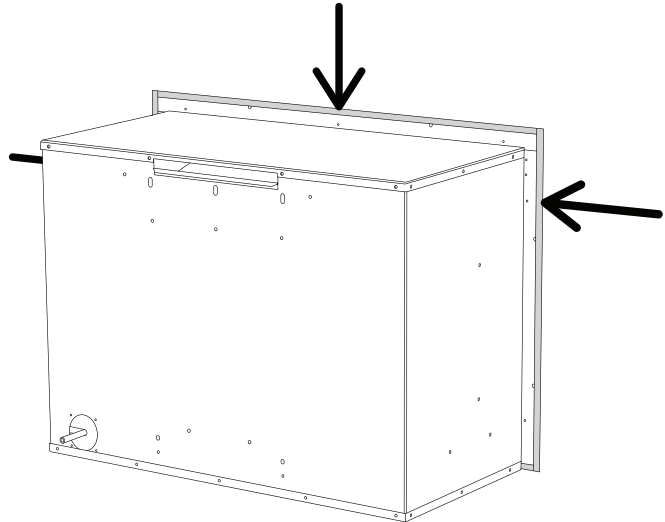
8. This appliance is supplied with a **flue restrictor** this is for use where the flue draught is excessive. There may however, be certain circumstances where closing the restrictor causes the fire to fail the spillage test. In such cases the restrictor will have to be returned to its supplied state of fully open. After any changes conduct the spillage check again. The restrictor is prefitted (fully open) to the inside rear of the convector box, if necessary loosen the three screws and slide upwards. The restrictor has a limited travel so the outlet cannot be fully closed.



## INSTALLER GUIDE

9. There is a length of self adhesive foam seal supplied with the fire. This will need to be fitted to the outer rear edges of the side and top flanges of the convector box.

**Ensure that there is no gap between the foam seals where they meet.** It is important that the bottom of the side flanges are sealed.



Fitting the foam seal

## 10. IGNITION CHECK

Before attempting to install, it is worth checking that the ignition system performs satisfactorily.

### Remote Control (RC) Models

#### 10.1 Fitting batteries to the remote control handset.

The remote control handset is battery powered. There are two 1.5 Volt Alkaline 'AAA' size batteries supplied. Remove the rear battery compartment cover from the remote control handset. Fit the batteries in to the handset. Replace the cover.



#### 10.2 Fitting batteries to the 6V battery box.

The gas valve and receiver are battery powered 6V. There are four 1.5 Volt Alkaline 'AA' size batteries supplied. Locate the batteries in the battery box (**NOT the receiver box**). Remove the locking screw, slide the battery compartment cover clear and fit the batteries. It is important that the positive (+ve) and negative (-ve) symbols on the battery match those of the illustration inside the battery holder. Replace the cover and screw.



# INSTALLER GUIDE

**WARNING: NEVER** connect a 9-Volt battery directly to the cable of the remote battery box. This connection is the only to be used to connect the receiver to the remote control.

**It is important that the wires from the battery box do not touch the underside of the burner tray and that the battery box is positioned as far on the Left Hand Side as possible and along the front to make access for replacement of batteries as easy as possible.**

## 10.3 Setting the handset and receiver relationship.

The receiver will have to be set to learn the handset / remote code. Do this as below:

– Place the 'ON/OFF' switch to the '-' (On position). This is on the right hand front of the appliance.

– Press and hold the reset button on the receiver until you hear two (2) acoustic signals. After the second, longer acoustic signal, release the reset button.

– Within the subsequent 20 seconds press the 'DOWN' button on the handset until you hear an additional long signal confirming the code is set

(Please inform the customer that this is a one time setting and is NOT required when changing batteries in the handset or battery box).

## 9.4 Checking the ignition operation.

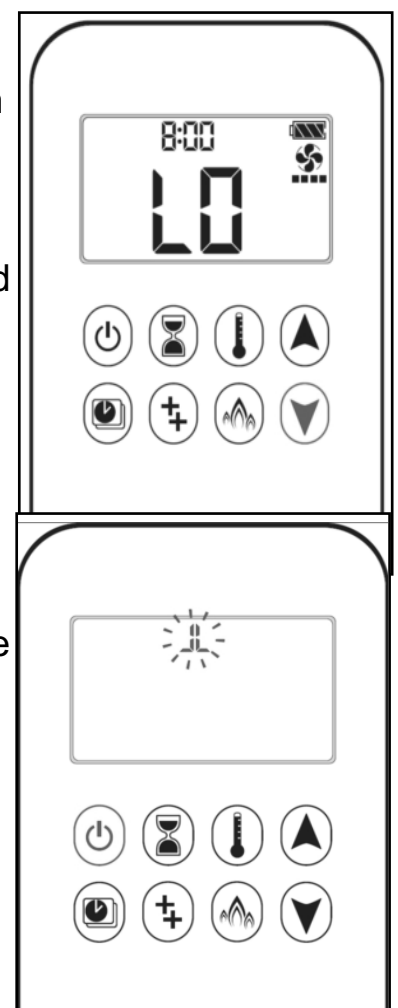
– Press and hold the 'ON' button until two short beeps (acoustic signal) and a blinking series of lines confirms the start sequence has begun; release button.

– Continuing signals confirms the ignition is in progress. There will be a slight delay and several sparks should be seen between the electrode and pilot tip.

– On sensing a flame is not present the burner unit will shut off. If there are no sparks check the following:

– Ensure that the electrode lead is connected to the terminal at the base of the electrode.

– If the above is correct, check for damage to the electrode lead and that the batteries have been correctly fitted.



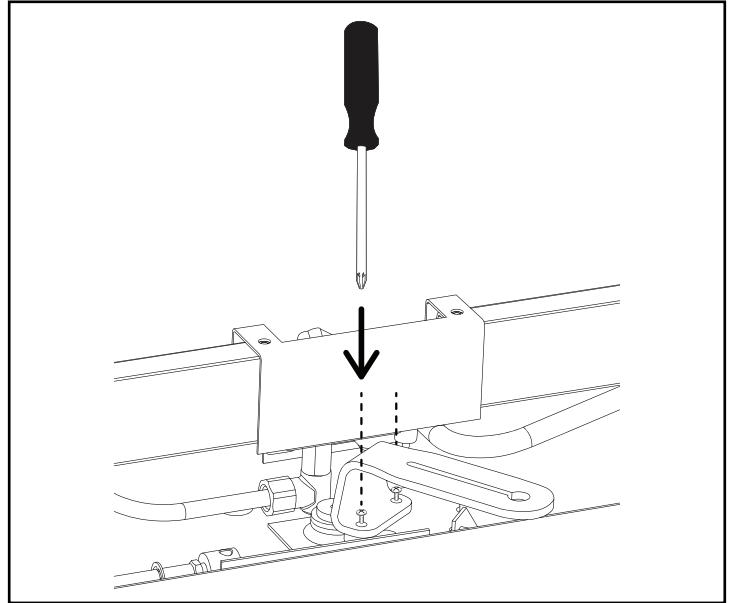


## Slider Control (FS) Models

### 9.5 Fitting slider handle to control cam.

The slider handle needs to be fitted to the cam assembly as shown, with the two M4 x 8mm screws provided.

**NOTE:** Two handle finish options have been supplied Chrome and Black please ask the customers preference before selecting one to be fitted.

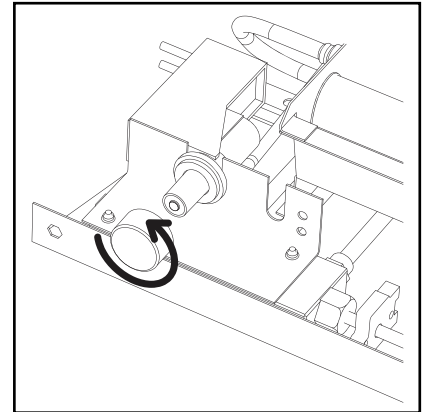


### 9.6 Fitting the battery into the spark ignition generator.

At the front of the electronic spark generator there is a removable circular battery cover. Unscrew the cover in an anticlockwise direction.

Remove any protective film from the battery if applicable and place into the generator. The negative (-) terminal should go in first. The battery is marked with (+).

Screw back on the cap.



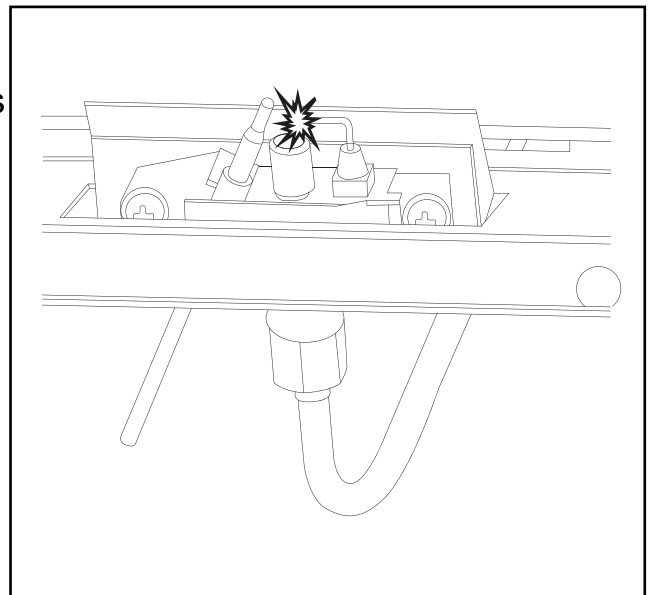
### 9.7 Checking the ignition operation.

– Push the slider handle to the LEFT as far as possible till the ignition is visible, several sparks should be generated and heard between the electrode and pilot tip.

– If there are no sparks check the following:

– Ensure that the electrode lead is connected to the terminal at the base of the electrode.

– If the above is correct, check for damage to the electrode lead and that the battery has been correctly fitted.



## 11. CONVECTION BOX INSTALLATION

### 11.1 Method 1 - Front fixing to fireplace surround.

1. Make sure that the fireplace front surround area is sound enough to take the wall plugs and screws. If necessary, make sound with suitable cement.

2. Place the convection box centrally in the fireplace in the position in which it is to be permanently installed. Insert the convection box into the fireplace feeding the supply pipe through the drilled hole in the inside rear fitted cover plate.

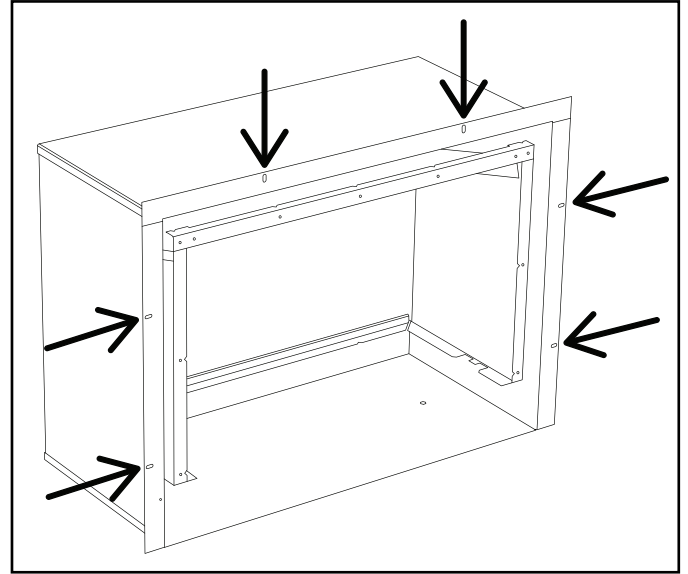
3. Mark the fireplace front surround through the six fixing holes in the side flanges of the convection box.

4. Remove the convection box. Drill holes in the fireplace front surround at the marked positions using a suitably sized masonry drill for the wall plugs supplied.

5. Insert a wall plug into each hole.

6. Place the convection box back in position in the fireplace.

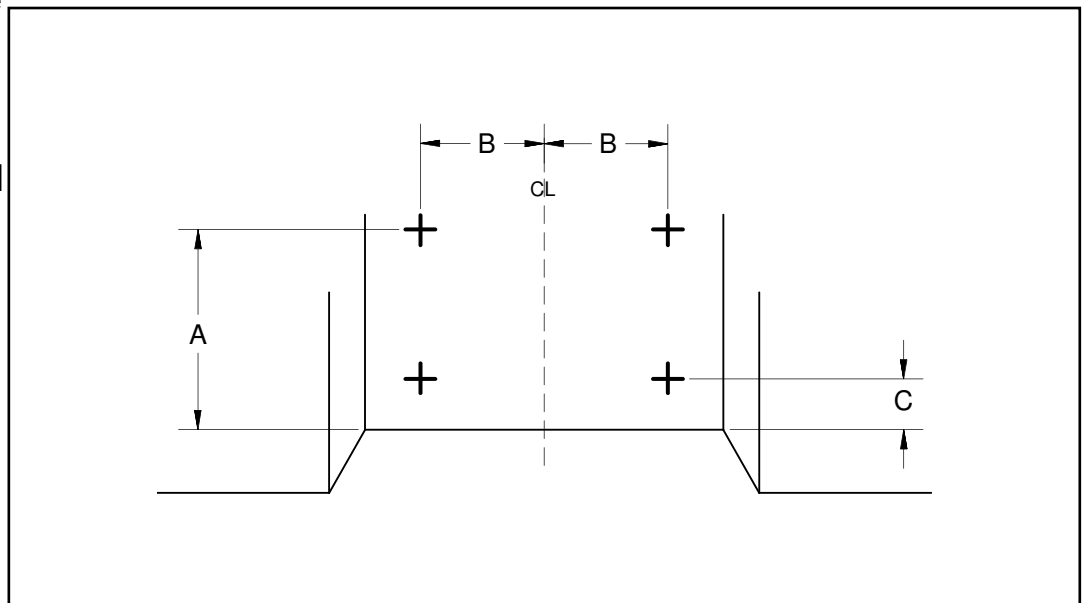
7. Fit a wood screw through each hole in the convection box flanges and tighten to seal the box to the fireplace surround.



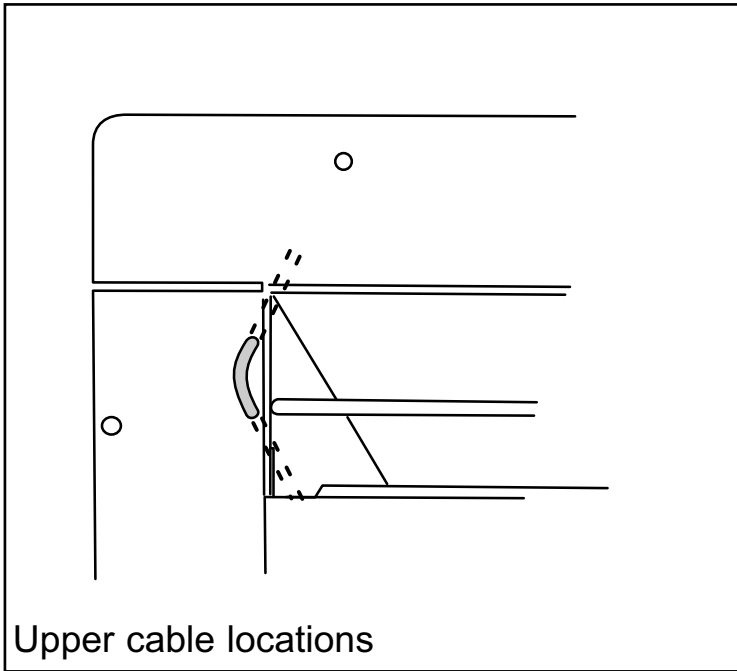
### 11.2 Method 2 - Cable retention.

1. Make sure that the relevant areas at the fireplace back are sound enough to take the eyebolts and screws. If this area have deteriorated due to prolonged use it should be made sound with suitable cement.

2. Drill four holes in the rear wall of the fireplace for the wall plugs. The holes should be drilled within the range of positions shown, using a suitably sized

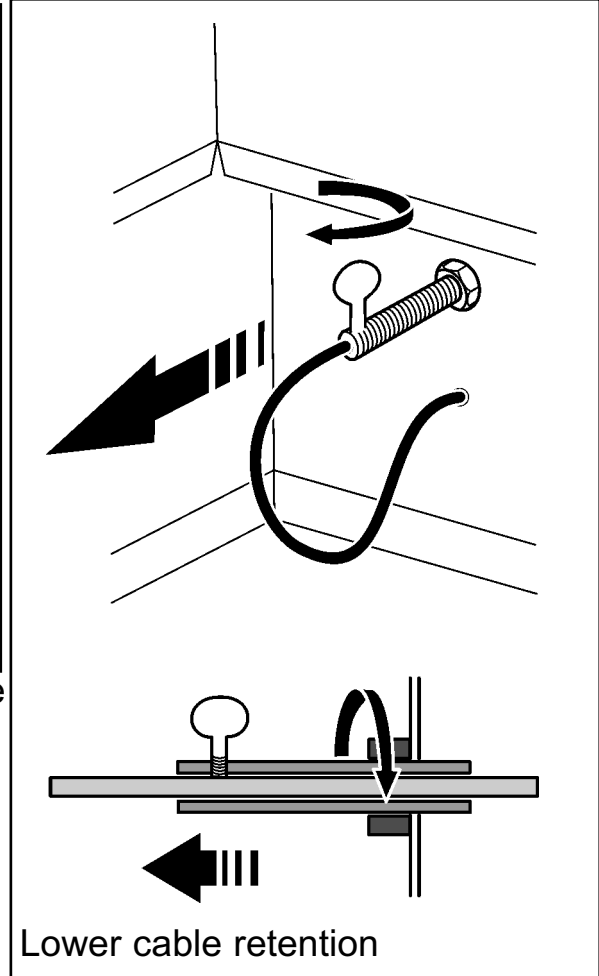


Dimension	600FS / 600RC	800FS / 800RC	1000FS / 1000RC
A	400 mm +/-10mm	400 mm +/-10mm	400 mm +/-10mm
B	200 mm +/- 10mm	300 mm +/- 10mm	360 mm +/- 10mm
C	55 mm +/- 10mm	55 mm +/- 10mm	55 mm +/- 10mm



masonry drill for the wall plugs supplied. The holes should be equidistant each side of the centre line of the fireplace to ensure that the appliance finishes centrally in the opening when tension is applied to the cables.

3. Insert a wall plug into each hole. Use the wall plugs supplied with this appliance - **Never use plastic plugs instead of the wood wall plugs supplied.** Screw the eyebolts into the plugs. Make sure that the bolts are secure.

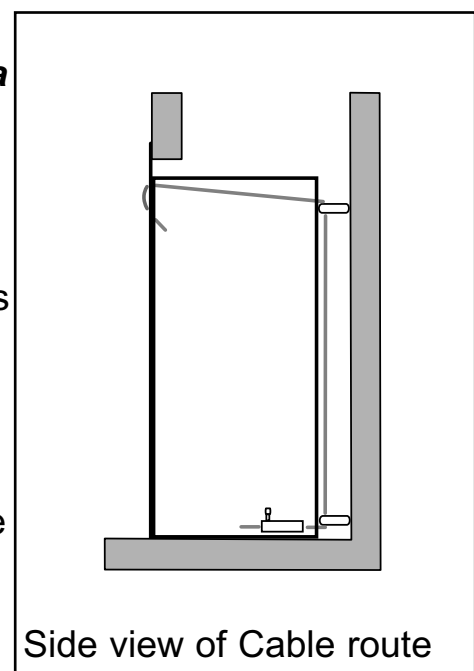


4. Place the convection box fully back into the fireplace opening so that it is sealed against the fireplace front surround.

***Always screw the base into position before applying tension to the cables. This will ensure a tight seal between the top of the convection box and wall.***

5. The convection box has two slots at each side of the flue outlet. Loop one end of each cable and pass the loop into the slots as shown. Give the cables a pull so that they grip.

6. Place the convection box unit close to the fireplace but allow sufficient access into the fireplace opening so that the cables can be threaded through the eyebolts and returned through the back of the convection box. If a concealed connection is being



# INSTALLER GUIDE

used, insert the convection box into the fireplace feeding the supply pipe through the pierced hole in the rear grommet.

**7.** Thread the cables through the eyebolts. Return the cables through the holes near the bottom of the convection box back panel.

**8.** Fit a cable retainer over the bottom end of each cable.

**9.** Pull each cable taut. Push the cable retainers hard up against the back panel. The end of the cable adjuster will pass into the hole. Tighten the screws in the retainers so that they clamp the cables in position. Apply tension to the cables by turning the hexagonal adjusters by hand.

**10.** Inspect the installation of the convection box against the fireplace surround. If the convection box is aligned squarely and the sealing is satisfactory, fully tighten the cable retainers.

**11.** If the convection box is not correctly aligned, release the tension on the cables by slackening the screws and turning the hexagonal adjusters fully anticlockwise. The convection box should then automatically realign itself. Pull each cable taut again and push the cable retainers back against the back panel. Again, tighten the screws in the retainers and apply tension to the cables by turning the hexagonal adjusters clockwise as far as possible.

**12.** Feed the free length of the cables through the small holes in the back of the convection box immediately below the cable adjusters so that they are available to allow easy removal and refitting of the appliance during subsequent service calls.

**Do not cut off the free lengths of cable.**

## 11.3 Sealing floor front and holes

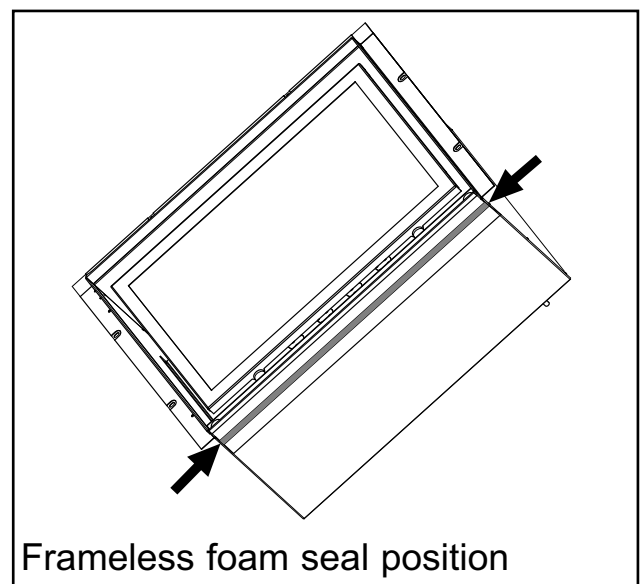
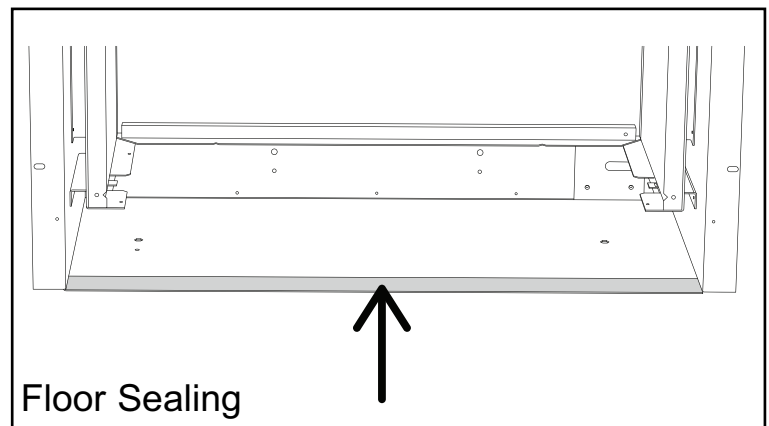
Using the floor sealing tape supplied, seal the bottom of the convection box to the fireplace and hearth floor.

**Make sure that the whole length of the front edge of the convection box is fully sealed.**

A second strip of floor sealing tape is supplied. Use this to seal any small holes that remain at the lower rear and sides of the convection box.

**NOTE:** If fitting the convector box fitted with a **frameless kit** the sealing tape has already have been fitted across the base of the frameless trim and the base surface of the convector box. Check to ensure this tape has not been damaged in transit or handling.

An additional strip of foam seal placed directly along the middle of this silver sealing tape is necessary before installation to ensure a seal to the base of the floor.



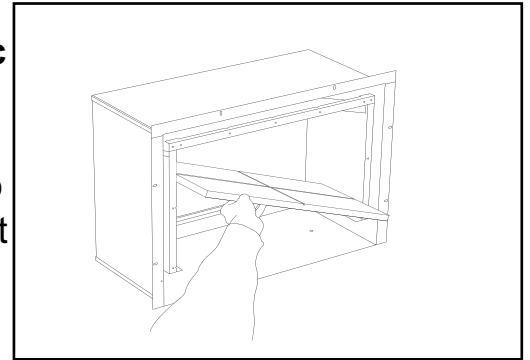
# INSTALLER GUIDE

## 12. FITTING THE WALL LINERS

There are a range of wall liners available some may have a patterned or in the case of the glass a mirrored side depending on the liner set purchased. Ensure the decorated or glass mirrored side is fitted facing outwards.

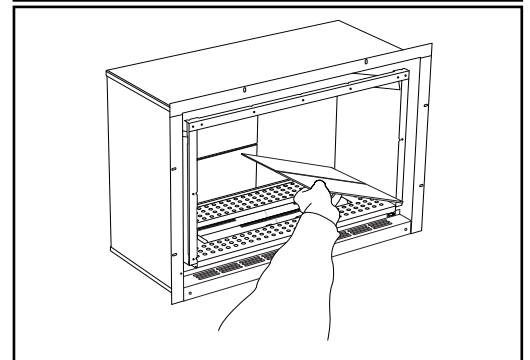
### 12.1A Fitting the Single piece rear wall liner. (Ceramic & Glass only)

Locate the rear ceramic wall against the rear wall of the convector box. Please note that when fitting this liner into the convector box it should be angled first on the flat to fit inside the inner convector box then gently raised to locate into the rear wall section.



### 12.1B Fitting the Two or Three piece rear wall liner. (Vermiculite)

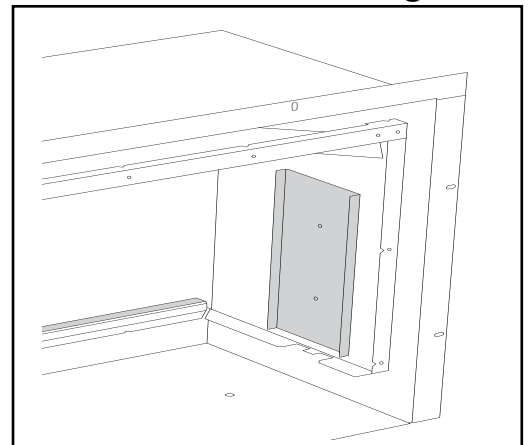
The 600 & 800 rear wall liners come as a two piece and the 1000 is in three pieces. Locate each rear ceramic wall against the rear wall of the convector box. Please note that when fitting this liner into the convector box it should be angled first on the flat to fit inside the inner convector box then gently raised to locate into the rear wall section. Fit each piece side to side leaving no gaps.



**PLEASE NOTE: Care must be taken to avoid damage to the liners when fitting.**

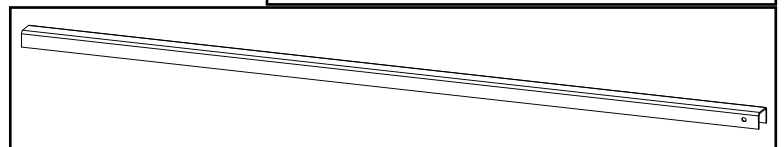
### 12.2 Fitting the Glass liners spacer support.

This must be carried out before fitting the Glass side wall liners. Inside the accessory box you will find two metal spacer brackets and 4 screws. Locate the glass liner spacer to the LHS and RHS of the convection box using the 4 screws supplied.



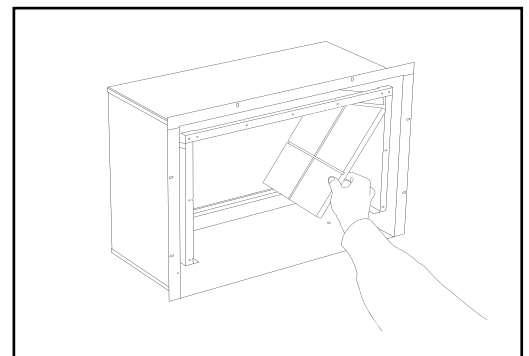
**Note:** When fitting the glass wall liner kit there is also a third metal filler piece that should be fitted in place after assembling back into place the top tray.

This filler piece is placed to the rear of the top tray to fill in the gap between the top tray and the rear glass liner



### 12.3 Fitting the side wall liners. (Vermiculite/Ceramic/Glass)

Offer the side wall liners into the convection box. The top of the ceramic side walls should be located first. With the top in place gently slide the side wall until it is flat against the side of the convection box. There is a soft bend metal tab at the base of the side liner this can be bent up at 90 degrees to secure the walls in place.



## 12.4 Fitting the fuel effect.

The installer and owner guide for the ceramic fuel effect is supplied in a separate booklet. It is important that the fitting guide for the ceramic fuel effect be placed inside or attached to this guide and handed to the customer following completion of the 'Final review' section.

## 13. BURNER AND SUPPLY PIPE INSTALLATION

### 13.1 Burner installation.

1. Remove the 'Aeration checking' reminder label from the top of the burner.
2. Refit the burner unit to the convection box with the two screws removed previously.

**NOTE: Do not tighten down fully these two screws as it can cause the burner tray to lift at the front interfering with later assembly. The screws only need to be tightened to prevent the tray from moving forward.**

### 13.2 Supply pipe installation.

1. A nut and olive is provided for an 8mm-pipe inlet connection directly to the gas control. The isolating 'T' connector can be rotated to allow a connection from the rear. The 'T' connector includes a valve for isolating the gas supply.

The supply pipe must be rigid material. Flexible pipe must not be used. Connect the supply line to the appliance.

2. If closed, open the isolating valve at the inlet 'T' connector.
3. Turn on the gas supply and pressure check the installation pipework for gas soundness. In the United Kingdom (GB) check in accordance with the current edition of BS 6891. In the Republic of Ireland check in accordance with the current edition of IS 813 "Domestic Gas Installations".

Some burner operations can be checked at this stage. Checking now will mean that less disassembly will be required if any problems are found. ***A full check should still be made, however, after final installation. Only leave the burner alight long enough to confirm its operation.***

### 13.3 Burner checks.

#### 13.3.1 Lighting the fire.

If closed, open the isolating 'T' connector valve.

Remote control models - 600RC & 800RC & 1000RC  
**- Reference the remote control handset operation manual.**

– Press and hold the 'ON/OFF' button until two short beeps (acoustic signal) and a blinking series of lines confirms the start sequence has begun; release button.

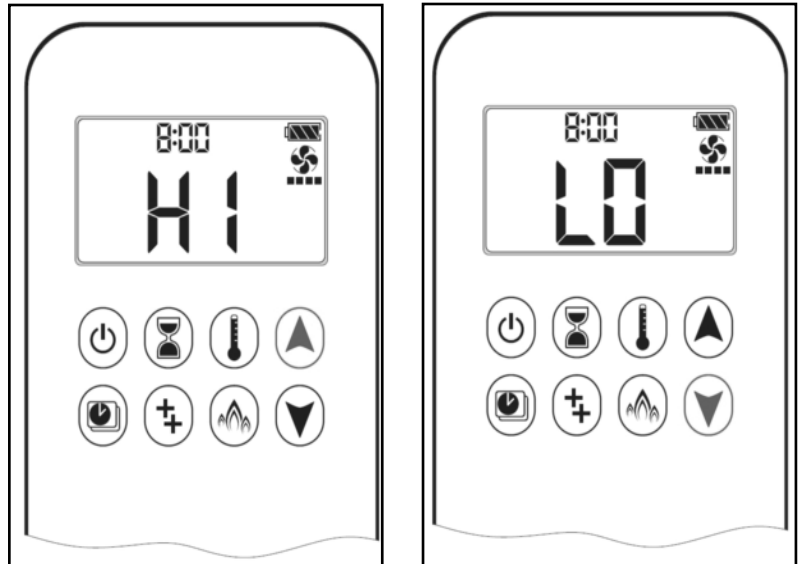


# INSTALLER GUIDE

- Continuing signals confirms the ignition is in progress. There will be a slight delay and several sparks should be seen between the electrode and pilot tip.
- On sensing a flame is not present the burner unit will shut off. If there are no sparks check the following:

## 13.3.2 Adjusting flame height.

When the burner is operating press the 'DOWN' button to decrease the flame height, then press the 'UP' button to increase the flame height. Repeat these steps with the two burners ignited.



## 13.3.3 Adjusting to pilot only setting.

When the burner is operating press and hold the 'DOWN' button until the burner flame extinguishes. To turn the main burner on again simply press and hold the 'UP' button.

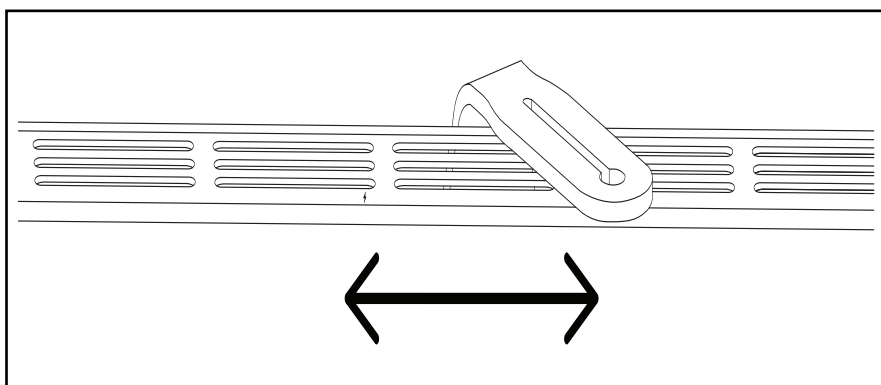
## 13.3.4 Turning off.

To turn the fire off press the 'ON/OFF' button.

## Slider Control models - 600FS & 800FS & 1000FS

## 13.3.5 Lighting the fire.

– Push the slider handle to the LEFT as far as possible till the ignition position is reached, several sparks will occur between the electrode and pilot tip. Hold in this position till the pilot flame has heated the thermocouple sufficiently to hold. Approx. 5 - 15 seconds.



## 13.3.6 Adjusting flame height.

When the burner is operating step the slider handle to the RHS, increments will be felt as the slider moves giving you the following outputs;

**Position 1** - After ignition Front burner is on LOW

**Position 2** - Moving slider handle one increment to RHS, front burner is on HIGH.

**Position 3** - Moving slider handle one more increment to the RHS, Rear burner on HIGH ignites (along with the Front burner remaining on HIGH)

**Position 4** - Moving the slider as far as possible to the RHS is OFF

**Note:** *There is no pilot only setting on the Slider (FS) models.*

## 13.3.7 Turning off.

To turn the fire off push the slider as far as possible to the RHS.

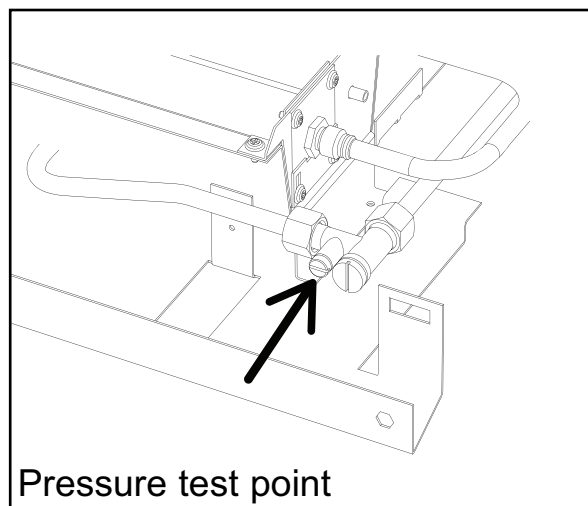
## 13.4 Check inlet pressure.

The appliance is pre-set to give the correct heat input at the inlet pressure shown in section 4 of this guide.

**1.** Ensure that the fire is OFF then fit a pressure gauge at the test point. The test point is on the inlet 'T' connector. Turn the fire ON and check the pressure with the appliance alight and set at maximum output.

**2.** After checking, turn off the appliance. Remove the pressure gauge and replace the test point sealing screw.

**3.** Test around the sealing screw for gas soundness with a suitable leak detection fluid.



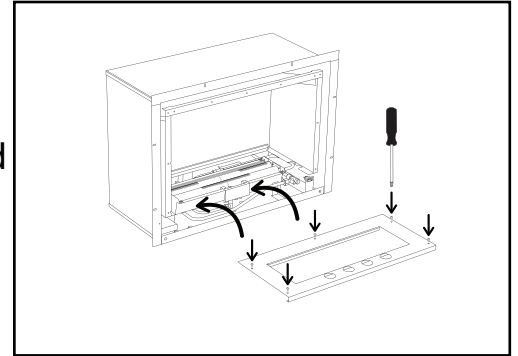


# INSTALLER GUIDE

## 14. REASSEMBLE OF FIRE

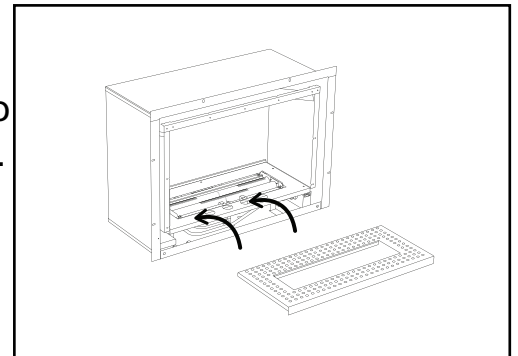
The parts that were removed earlier now need to be refitted;

**14.1** Place the bottom tray back into the convector box above the main burner assembly as before. Line up the tray with the screw holes in the inner convector box and using the screws removed earlier, secure it to the inner convector box.



**14.2** The top tray requires no screws it simply locates flat into position on top of the base tray.

**Note:** if Glass liners have been fitted a decorative filler piece is required to be fitted to the rear of the top tray to fill the gap between the top tray and the rear glass liner. This can be found in the accessory kit.



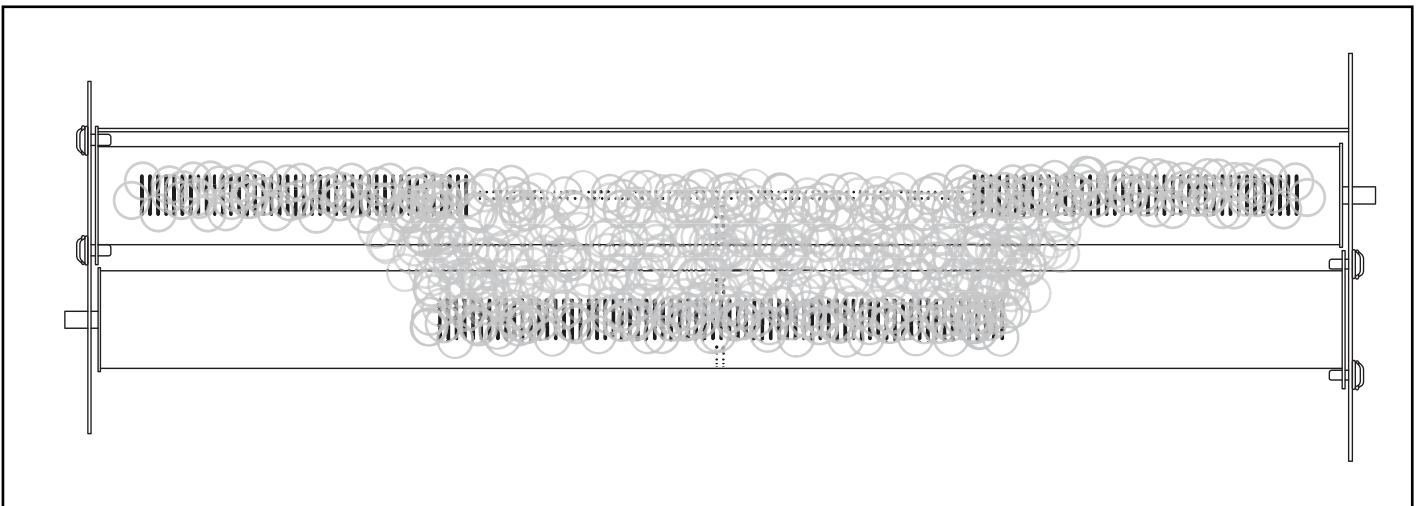
**14.3** Positioning the ember wool across the burners. Each fire is supplied with a single bag of ember wool 600 models (approx. 1 gram), 800 models (approx. 2 grams) and 1000 models (approx. 3 grams).

**DO NOT EXCEED THE WEIGHT OF EMBER WOOL SUPPLIED.**

To ensure a good effect and so as not to effect combustion this ember wool must be placed as follows. The ember wool should be removed from the jiffy bag and teased apart until they form a very loose, very light network avoid clumps of ember wool in anyone section.

**ONLY** place the ember wool over the open burner ports. Especially along the rear burner and towards the middle of the front burner only. The ember wool has a long life, it will eventually deteriorate. If this becomes apparent, replacement ember wool can be obtained by calling our customer service team.

**NOTE:** to avoid any ignition interference issues, keep the ember wool at least **15mm** clear of the pilot unit when positioning.

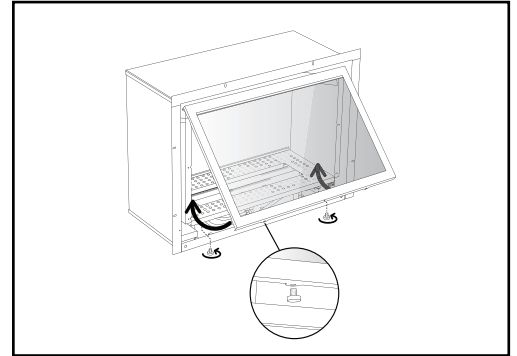


# INSTALLER GUIDE

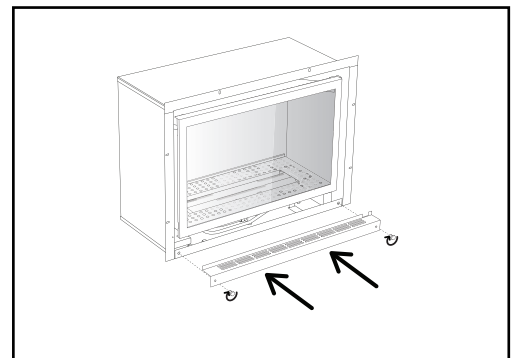
## 14.4 Install the log set supplied

- Reference the log fitting guide for details how the set must be placed.

**14.5** Refit the window door panel, hook the top of the window door panel onto the top of the inner convector box. Lower the glass door till it covers fully the opening of the inner convector box. Screw back into place as before by hand the two M5 knurled screws in a clockwise direction just under the base of the window door frame. These screws only require to be hand tightened closed.



**14.6** Replace the visual baffle, carefully slide back into place as before the visual baffle. Screw by hand the two M5 knurled screws in a clockwise direction to secure it.



## 15. FULL OPERATING CHECKS

### 15.1 Check the burner operation.

Repeat the checks conducted in section 13.3.

Please note:

When first turned on from cold, the flames will appear predominantly blue.

When operating the fire for the first time, some vapours may be given off which could set off smoke alarms in the vicinity. These vapours are quite normal with new appliances. They are totally harmless and will disappear after a few hours use.

### 15.2 Check for spillage.

**A spillage check must be made before leaving the installed appliance with the customer.**

**The spillage check must be conducted before fitting the trim.**

1. Close all doors and windows in the room containing the appliance.
2. Light the appliance and set the control to its highest heat position.
3. Leave the appliance on for five minutes.
4. At the top of the heater are two openings. The upper opening has a tapered rear

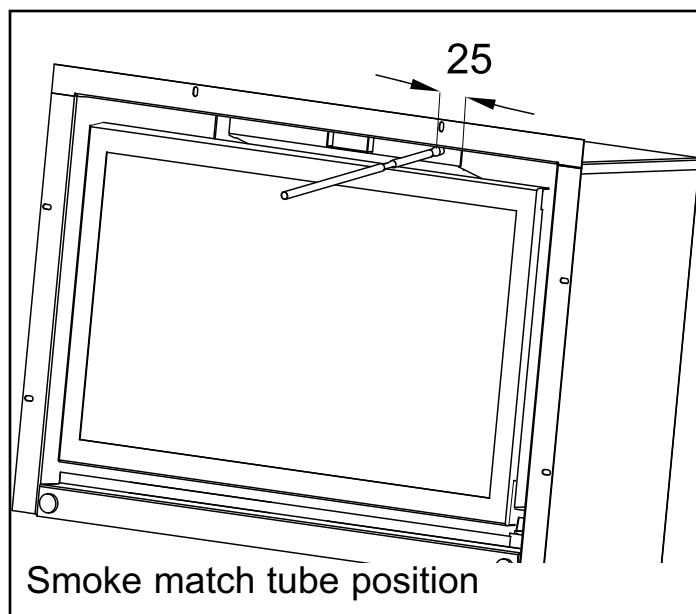
## INSTALLER GUIDE

that has an opening of its own. The smoke match should be placed horizontally into this opening so that it touches the right hand side of the opening 100mm deep. It should pass the upper part of the opening by 25mm.

The installation is satisfactory if the smoke is drawn into the appliance.

If the smoke is not drawn into the appliance leave the appliance alight at the maximum setting for a further ten minutes and then repeat the test. If the smoke is still not drawn into the appliance inspect the sealing

to the fireplace surround. If the sealing is satisfactory but the appliance is installed with the flue restrictor (See section 9, point 8) adjust the restrictor height, reseal the appliance and retest. If smoke is still not drawn into the appliance **disconnect the appliance and seek expert advice.**



**5.** If the above test is satisfactory open all internal connecting doors, hatches, etc. in the room. Keep all doors and windows that open to the outside of the building closed. Recheck for spillage as above. If an extractor fan is installed in the same room as the appliance or a connecting room, check that spillage does not occur with the fan operating and all doors and other openings between the fan and the appliance open. If the smoke is drawn into the appliance, continue with the installation. If the test is not satisfactory **disconnect the appliance and advise the customer of the cause of failure.**

### **15.3 Flame supervision and spillage monitoring system.**

This pilot unit includes a system that will automatically shut off the gas supply if the pilot flame goes out or if there is insufficient oxygen due to spillage or poor ventilation.

**This monitoring system must not be adjusted, bypassed or put out of operation.**

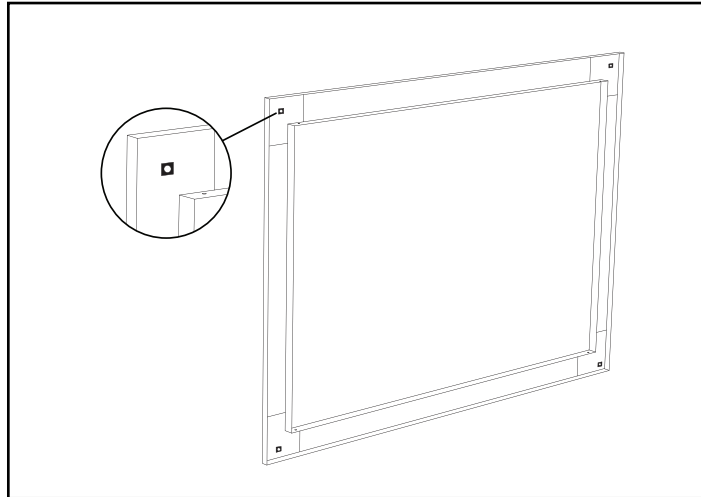
**This monitoring system or any of its parts must only be exchanged using Valor authorised parts.**

## 16. TRIM & FRAMELESS INSTALLATION

### 1. Trim

Ensure the four magnets supplied on the rear of the trim are loacted one into each corner. Laid them flat against the inside corner surface of the trim. Offer the trim towards the fire, the trim secures with the magnets to the outside metal return on the outer convector box.

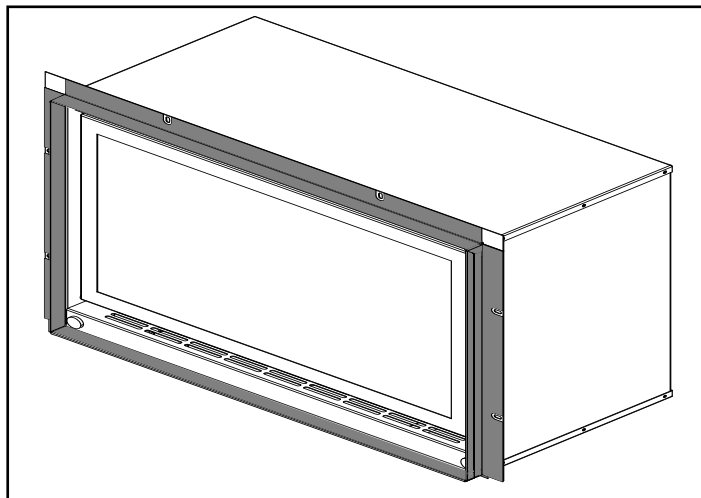
Push the trim tight up to the fire ensuring that the magnets are fully incontact and holding the trim in place.



### 2. Frameless

The frameless trim is pre fitted with screws securing it onto the outside face of the fire with sealing tape along its base already sealing the frame to the convector box.

**NOTE:** During installation the additional length of foam seal is required to be fitted on top of the sealing tape (Refer to section 11.3).

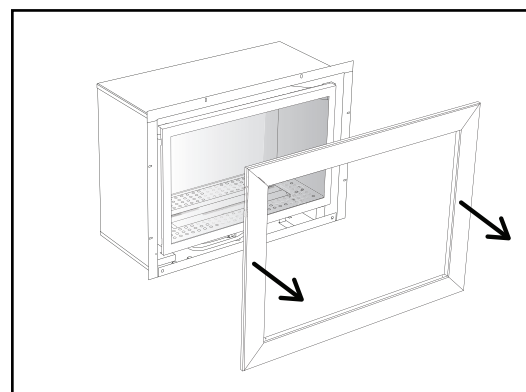


- 1. COMPLETE THE INFORMATION IN THE GAS FIRE COMMISSIONING CHECKLIST AND SERVICE RECORD OF THE OWNER GUIDE (See last pages of the OWNER guide).**
2. Visually inspect the appliance. Clean off any marks incurred during installation.
3. Advise the customer how to operate the appliance. Explain to the customer that the appliance has a flame failure & spillage monitoring system. Point out the explanation of this system shown in the owner guide under "Operating the fire". Advise that if the fire goes out for any reason, wait at least three minutes before relighting. Stress that if the monitoring system repeatedly shuts off the fire, the appliance should be switched off and a specialist should be consulted.
4. Advise the customer that they should read their owner guide before operating the fire and always follow the advice in the section headed "Cleaning your fire".
- 5. Stress that no extra ceramic fuel effect pieces or ember wool must be added over and above those supplied with the appliance and that any replacements must only be the authorised spares. Warn that ignoring this advice could cause incomplete clearance of the products of combustion with consequent health hazards. If you have not done so already; attach or place the ceramic fuel effect guide inside this guide.**
6. Advise the customer that the appliance will operate to its maximum potential if the flue is primed during the first 20 – 30 minutes of use. To do this, simply set the control to its highest setting. This will also burn off any carbon deposits that may have formed during previous use.
- 7. Emphasise that if the glass panel is broken or damaged, the fire should be turned off and not used until the window unit is refitted with an authorised replacement. The fire should not be used without the glass panel fitted.**
8. Advise the customer that when first turned on from cold, the flames will appear predominantly blue and it is normal for condensation to form on the rear of the glass panel. The condensation will disappear after a few minutes use.
9. If using the appliance for long periods it is beneficial to change between settings. This will also help to remove any carbon deposits that may form during use.
10. Recommend that the appliance should be serviced by a competent person annually.
11. If the appliance is in premises in the United Kingdom occupied by a tenant, point out that by law a landlord must have any gas appliance, flue and pipework which is situated in a tenant's premises checked for safety at least every 12 months.
12. Advise that the fire may give off a slight odour while new. This is quite normal and it will disappear after a short period of use.
- 13. Inform the customer that the Serial number for the appliance is located on the information label, located to the side of the burner and also stuck into this manual**
14. Hand the literature packs with this guide to the customer.

- Always turn off the gas supply before commencing any servicing and allow the fire to cool completely (The appliance inlet ‘T’ connector incorporates an isolating valve).
- It is recommended that, at least once a year, the appliance is disconnected and the fireplace opening checked and cleared of any debris.
- This product uses fuel effect pieces, burner compartment walls and ceramic logs containing Refractory Ceramic Fibres (RCF), which are man-made vitreous silicate fibres. Excessive exposure to these materials may cause irritation to eyes, skin and respiratory tract. Consequently, it is important to take care when handling these articles to ensure that the release of dust is kept to a minimum. To ensure that the release of fibres from these RCF articles is kept to a minimum, during installation and servicing we recommend that you use a HEPA filtered vacuum to remove any dust and soot accumulated in and around the fire before and after working on the fire. When replacing these articles we recommend that the replaced items are not broken up, but are sealed within a heavy duty polythene bag, clearly labelled as RCF waste. RCF waste is classed as a stable, non-reactive hazardous waste and may be disposed at a landfill licensed to accept such waste. Protective clothing is not required when handling these articles, but we recommend you follow the normal hygiene rules of not smoking, eating or drinking in the work area and always wash your hands before eating or drinking.
- Check that the appliance is clean and that soot or debris is not blocking the gaps between the ceramic fuel effect pieces causing an imperfect flame.
- Check that soot or debris is not impairing the electrode spark or pilot burner.
- Check that soot or debris is not blocking any of the slots in the main burner.
- After servicing, make sure that the ceramic walls are replaced and the ceramic fuel effect pieces are replaced correctly as described in the installer and owner guide supplied with the ceramic fuel effect. The ceramic fuel effect guide may have been placed inside or attached to this guide.
- **Always test for gas soundness and spillage after servicing the appliance.**

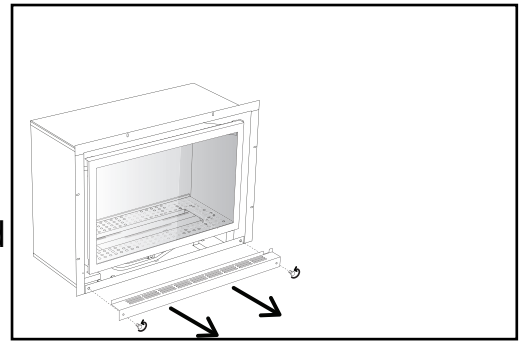
### 18.1 To remove the trim.

1. The trim is held in place with four magnets one placed into each corner. Hold the lower outside edges of the trim and gently pull forward. With the corners released, lift the trim away from the convection box and clear.



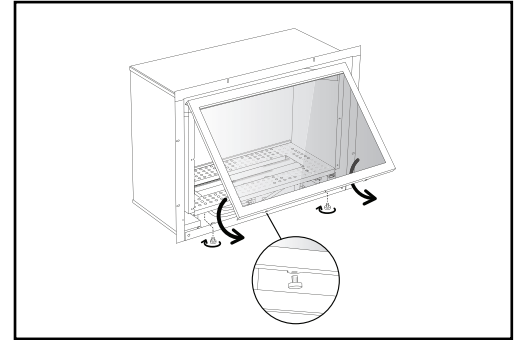
## 18.2 To remove the visual baffle.

1. Complete section 19.1
2. Remove the visual baffle, by unscrewing by hand the two M5 knurled screws in an anti clockwise direction. Keep these two screws save as they will be needed later. Carefully slide out the decorative trim and place carefully to one side.
3. Replace in the reverse order.



## 18.3 To remove the window door panel.

1. Complete section 19.2
2. Remove the glass door, by unscrewing by hand the two M5 knurled screws in an anti clockwise direction located just under the base of the door frame. Keep these two screws save as they will be needed later. Carefully pull out at the base then lift up and off the door and place carefully to one side.
4. Replace in the reverse order.

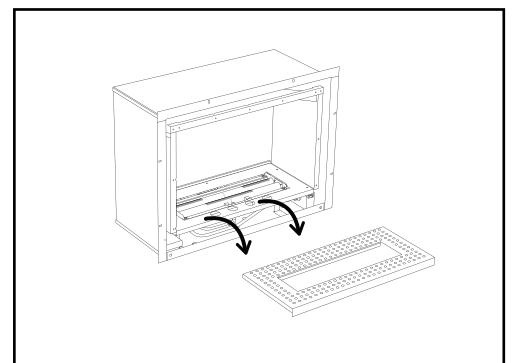


## 18.4 To remove the fuel effect and ember wool.

1. Complete sections 19.1 - 19.3
2. Remove the fuel effect in the reverse order to that shown for fitting in the ceramic guide. The ceramic fuel effect may cause staining / discolouration to decorative surfaces. It is therefore advisable to protect decorative surfaces. The ember wool is positioned across the burner carefully lift up all the steel wool and place carefully to one side. Refer to the installation instructions earlier regarding placing this ember wool back onto the burner.
3. Replace both in the reverse order.

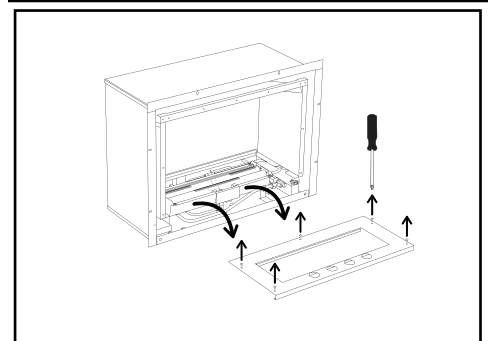
## 18.5 To remove the top tray.

1. Complete sections 19.1 - 19.4
2. Lift out the Top tray and carefully place to one side. There are no screws holding this tray in place.
3. If glass liners have been fitted only, there will also be an additional filler top tray to the rear, lift this up also any place to the side. It is not held in place by any screws.
4. Replace in reverse order.



## 18.6 To remove the base tray.

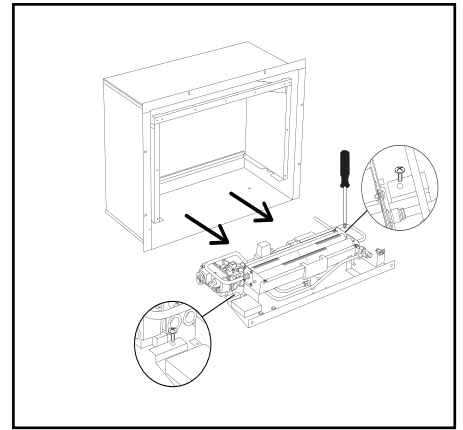
1. Complete sections 19.1 - 19.5
2. Unscrew the base tray, then remove and place to one side carefully.
3. Replace in reverse order.



# INSTALLER GUIDE

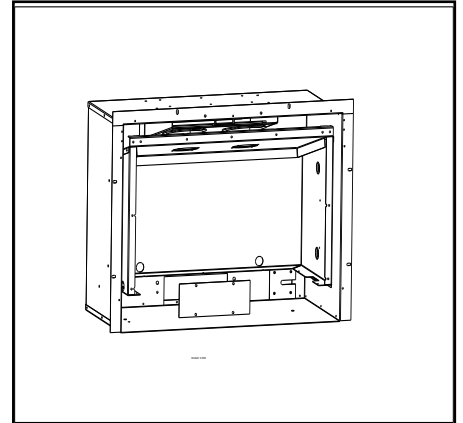
## 18.7 To remove the burner assembly and tray.

1. Complete section 19.1 - 19.6
2. Isolate the gas supply at the inlet isolating 'T' connector.
3. Support the inlet 'T' connector to avoid straining the pipework and disconnect the appliance from the inlet 'T' connector.
4. Unscrew the burner tray from the convection box by removing two locating screws.
5. Slide the burner tray unit clear of the convector box.
6. Replace in the reverse order.



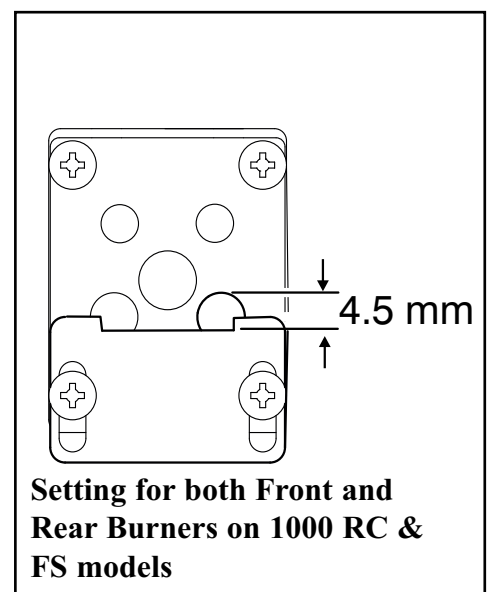
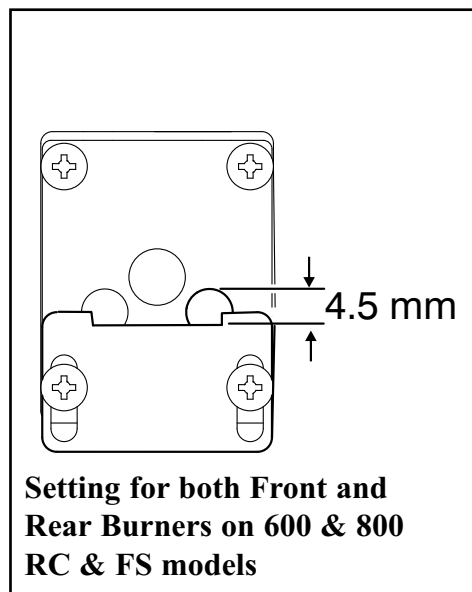
## 18.8 To access & remove the Inspection panel.

1. Complete sections 19.1 - 19.7
2. Unscrew the 4 screws, then remove and place the screws and panel to one side carefully.
3. Any inspection or cleaning of debris necessary can now be carried out.
3. Replace in reverse order, a flue flow test should be carried out at this stage. Refer to the relevant section of BS5440 Part 1 for this procedure.



## 18.9 Checking the aeration setting of the burner.

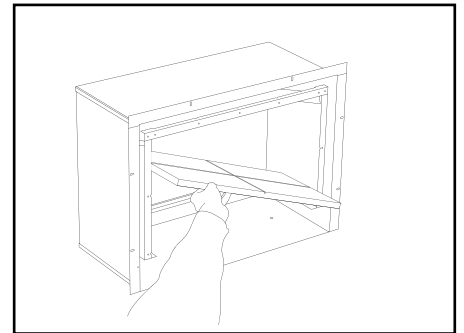
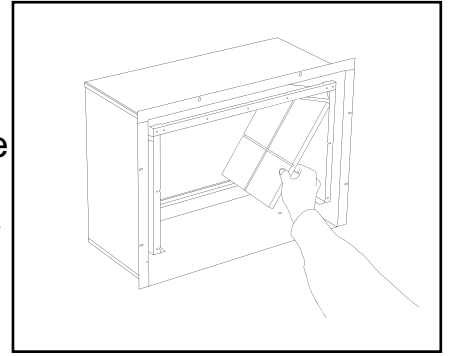
1. The aeration shutter is factory set. It is important to ensure that the aeration setting(s) are correct
2. The 600RC/FS, 800RC/FS & 1000RC/FS models burners all use the aeration setting open at 4.5mm across the bottom 2 holes.
3. If the setting is not as shown, adjust the aeration setting(s). To do this loosen the two aeration shutter screws, slide the aeration shutter to the desired position and tighten the screws.





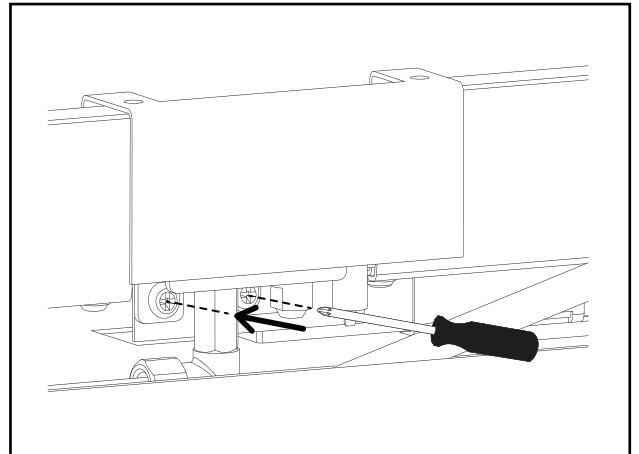
## 18.10 To remove the wall liners.

1. Complete section 18.1 - 18.7
2. The two side liners are secured in place by a metal tab bent up at 90 degrees. Using a flat head screw driver carefully bent these tabs back down horizontally to allow the liners to be moved.
3. There are finger holes in the inner convector box to allow easy access to gently push out the three wall liners. These are marked by a notch in the metal work behind which the hole can be reached using your fingers.
4. Start by removing the two side liners, gently guide the bottom of the liner wall out towards the inside of the convector box. Being careful not to rub off the rear liner. Lift the side walls clear of the convection box.
5. The rear liner(s) has two finger holes at the rear in the network frame to help access in removing the liner(s) out from the base. After locating the holes gently push out the liner(s) till flat inside the convector box then angle to remove being careful not to rub the edges off the inner convector box.
6. Replace in the reverse order.



## 18.11 To remove the pilot unit.

1. Remove the burner assembly and tray (Refer to sections 18.5 - 18.7).
2. Detach the pilot pipe from the pilot unit.
3. Detach the electrode lead from the underside of the electrode tab.
4. Detach the thermocouple by unscrewing the thermocouple nut at the interrupter block for RC models and at the valve for FS models.
5. Remove the two screws from the pilot bracket.



**Note:** on the FS models it can be made easier to gain access to these two pilot bracket screws by unscrewing the two M4 x 8 machine screws taking the slider handle off and out of the way.

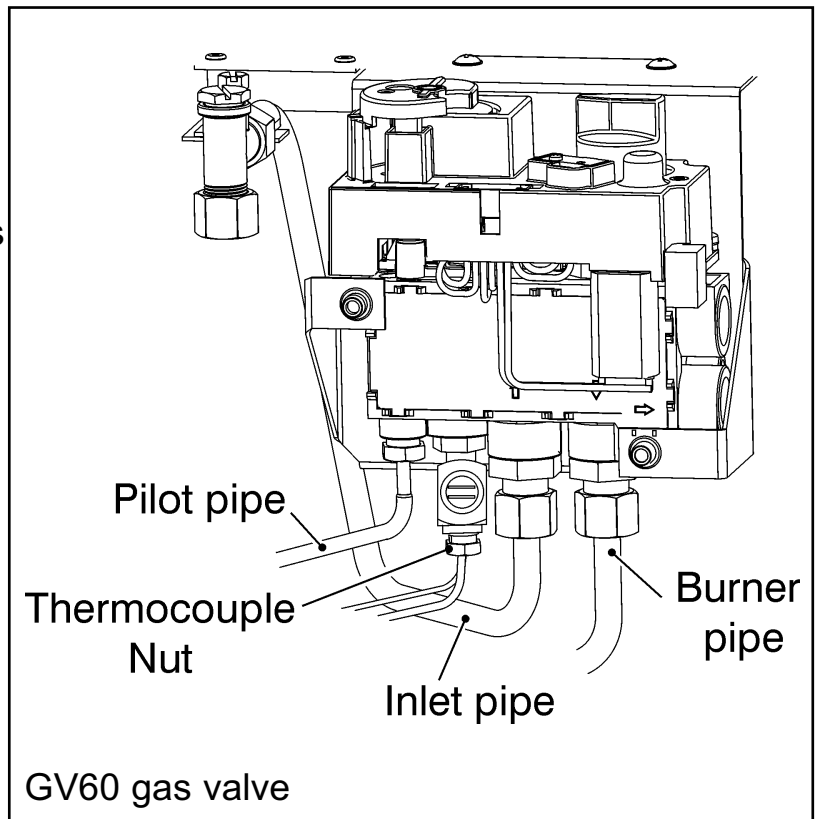
6. Remove the pilot bracket and pilot assembly.
7. Refit in the reverse order.

*Note: The pilot unit is an atmosphere sensing device. It must be replaced as a whole assembly. Its individual components are not separately replaceable.*

## INSTALLER GUIDE

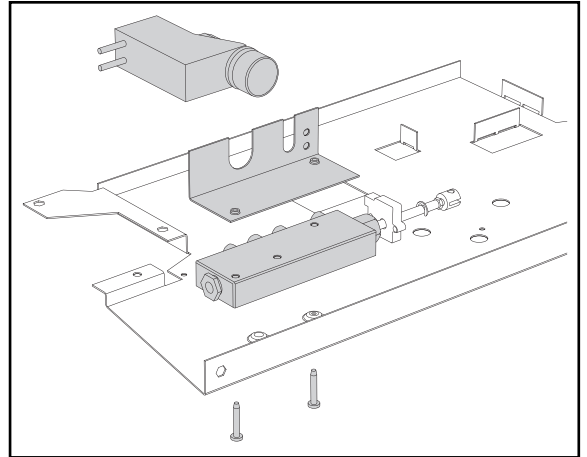
### 18.12 To remove the Mertik GV60 gas valve. (RC models only)

1. Remove the burner assembly and tray (See section 18.7).
2. If turning the burner tray upside down, ensure that the work surface is suitably protected. This will avoid damage to the work surface.
3. Remove the thermocouple by unscrewing the thermocouple nut at the interrupter block. Remove the two leads from the interrupter block making sure to pull on the base of the tabs and not the leads. It is important that when replacing the leads that the lead with the larger tag (From the receiver) is furthest away from the valve body.
4. Detach the pilot pipe from the gas valve.
5. Detach the inlet pipe.
6. Detach the burner pipe.
7. Detach the electrode lead from the base of the electrode.
8. Remove the wiring block from the front of the valve. To do this press the retainer tab on the base of the valve whilst gently pulling on the leads.
9. Remove the two screws that retain the gas valve to the tray. Lift the gas valve assembly clear.
10. Refit in the reverse order.



## 18.13 To remove the Teddington gas valve and switch. (FS models only)

1. Remove the burner assembly (See section 18.7).
2. If turning the burner tray upside down, ensure that the work surface is suitably protected. This will avoid damage to the work surface.
3. Remove the thermocouple by unscrewing the thermocouple nut at the end of the valve.
4. The ignition spark generator has 3 wire connections the top single wire comes from the pilot and the bottom side by side wires comes from the valve switch. All 3 wires should be carefully pull out straightly and disconnected.



5. The ignition spark generator is then removed by first unscrewing the battery cap allowing easy access to the threaded washer behind, which secures the generator onto the metal bracket. Loosen this washer by hand and the generator will lift up and away.
6. Detach the pilot pipe from the gas valve.
7. Detach the inlet pipe.
8. Detach the front burner pipe.
9. Detach the rear burner pipe.
10. The valve is connected to the slider assembly by a screw in the connecting steel rod, remove this screw to disconnect from the slider arm.
11. Remove the two screws that retain the gas valve and top bracket from the base of the burner tray and lift the bracket and gas valve assembly clear.
11. Remove the gas valve.
12. Refit in the reverse order.

## 18.12 To remove the receiver box. (RC models only)

1. Lift the receiver box out of its support bracket.
2. Remove the electrode 'SPARK' lead.
3. Remove the solinoid lead from the 'AUX' port.
4. Remove the battery pack lead from the '6V DC' port
5. Remove the wiring block from the side of the receiver box.
6. Unscrew and remove the yellow coded switch wire and red coded thermocouple wire.
7. Refit in reverse order. Please note that the yellow and red wire positions are marked with coloured spots on the valve body.

## **18.14 To remove the thermocouple interrupter block (RC models only).**

1. Remove the burner unit (See section 18.7).
2. Detach the thermocouple from the interrupter block by unscrewing the thermocouple nut.
3. Detach the two leads from the interrupter block making sure to pull on the base of the tabs and not the leads. It is important that when replacing the leads that the lead with the larger tag (From the receiver) is furthest away from the valve body.
4. Remove the interrupter block by unscrewing from the gas shut-off tap.
5. Refit in the reverse order. If the leads cannot be easily attached to the interrupter block when it is fully tightened to the gas shut-off tap, slacken it and rotate to allow the leads to be fitted. Retighten making sure that the leads remain in place in the interrupter block. Fit and tighten the thermocouple nut making sure that the leads are secured in the interrupter block to give a good electrical contact. Do not over tighten the thermocouple nut.

## **18.15 To replace the burner (s).**

1. Remove the burner unit (See section 18.7).
2. Unscrew and remove the burner clamping plate from the upper right hand side of the burner. Remove all screws for ease.
3. Unscrew and remove the injector cover plate from underneath the burner.
4. Support the elbow injector and unscrew the injector nut.
5. Lift the right hand side of the burner, slide it to the right and lift clear
6. Refit in reverse order.

## **18.16 To remove the burner injector.**

1. Remove the burner (See section 18.7).
2. Unscrew the injector from the burner.
3. Refit in the reverse order.

## **18.17 To remove the appliance from the fireplace.**

1. Follow steps 18.1 - 18.8.
2. The inlet cover must be removed to allow the fire to be removed. Remove the screws holding the cover in place and any tape that has been added so that the hole in the rear of the fire is clear to allow the 'T' connector and pressure test point clearance to pass through.
3. If the fire retention is as method 1 (See section 11.1 of this guide), remove the 6 screws.  
If the fire retention is as method 2 (See section 11.2 of this guide), slacken the hexagonal adjusters on the cable retainers and unscrew the thumbscrews to release the cables.
4. Remove the convector box from the fireplace.
5. Refit as described in the relevant installation sections. Make sure gas soundness, sealing, spillage test and performance are satisfactory.

# OWNER GUIDE

FOR WARRANTY, SERVICE AND BENCHMARK  
INFORMATION SEE PAGES 58 TO 63

# OWNER GUIDE

## LIST OF CONTENTS

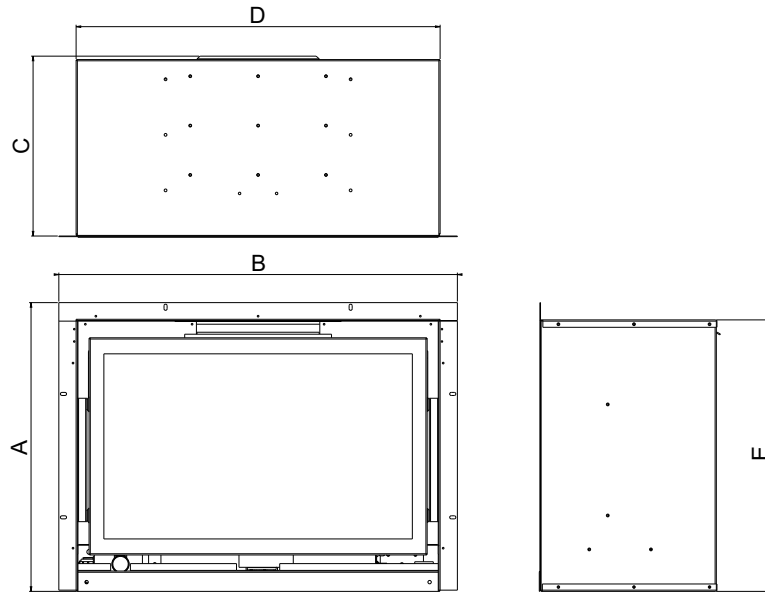
<u>Section</u>	<u>Page</u>
<b>APPLIANCE DIMENSIONS</b>	<b>47</b>
<b>SAFETY</b>	<b>48 - 49</b>
<b>GAS CONSUMPTION</b>	<b>50</b>
<b>OPERATING YOUR FIRE</b>	<b>50</b>
The Oxysafe flame sensing and flue blockage safety system.	50
Operating the fire WITH the Remote Control (RC) Handset.	51
Lighting the fire.	51
Adjusting the flame height.	51
Switching ON and OFF the rear burner	52
Adjusting to the pilot only setting.	52
To turn off using remote.	52
To turn off using rocker switch	52
Operating the fire WITH Slider control (FS) models.	53
Lighting the fire.	53
Adjusting the flame height.	53
To turn off using slider handle.	53
<b>CLEANING YOUR FIRE</b>	<b>54</b>
Trim, Metal and painted parts.	54
Removing and cleaning the window assembly.	54
Ceramic fuel effect log pieces and convector box compartment walls.	54
Burner.	55
<b>MAINTENANCE</b>	<b>56</b>
Battery replacement.	56
RC Handset.	56
RC Battery box.	56
RC Automatic Shut Off	56
FS Spark ignition generator	57
Regular maintenance.	57
Replacement ceramics.	57
<b>WARRANTY, SERVICE AND BENCHMARK</b>	<b>58 - 60</b>
<b>BENCHMARK COMMISSIONING CHECKLIST</b>	<b>61</b>
<b>BENCHMARK SERVICE RECORD</b>	<b>62</b>
<b>SERIAL NUMBER LABEL</b>	<b>63</b>

This gas fire is designed to meet the most stringent quality, performance and safety requirements to provide you with many years' trouble-free service.

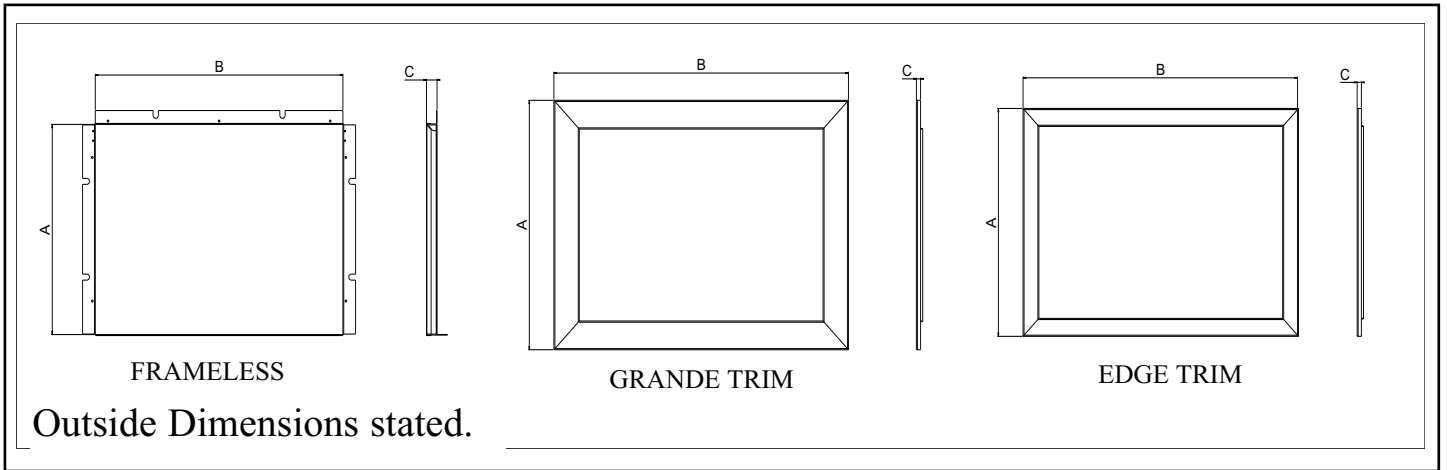
This guide aims to improve your understanding and appreciation of your gas fire by providing simple and informative instructions to ensure that you benefit from the excellent performance and features it has to offer.

# OWNER GUIDE

## APPLIANCE DIMENSIONS



Dimension	600FS / 600RC	800FS / 800RC	1000FS / 1000RC
A	470 mm	470 mm	470 mm
B	646 mm	846 mm	968 mm
C	293 mm	293 mm	293 mm
D	596 mm	796 mm	918 mm
E	443 mm	443 mm	443 mm



Dimension	600FS / 600RC Frameless	800FS / 800RC Frameless	1000FS / 1000RC Frameless	600FS / 600RC Grande Trim	800FS / 800RC Grande Trim	1000FS / 1000RC Grande Trim	600FS / 600RC Edge Trim	800FS / 800RC Edge Trim	1000FS / 1000RC Edge Trim
A	443 mm	443 mm	443 mm	521 mm	521 mm	521 mm	476 mm	476 mm	476 mm
B	590 mm	790 mm	912 mm	697 mm	897 mm	1019 mm	652 mm	852 mm	974 mm
C	25 mm	25 mm	25 mm	10 mm	10 mm	10 mm	10 mm	10 mm	10 mm

**IF YOU SMELL GAS**

- **DON'T SMOKE.**
- **EXTINGUISH ALL NAKED FLAMES.**
- **DON'T TURN ELECTRICAL SWITCHES ON OR OFF.**
- **TURN OFF THE GAS SUPPLY AT THE METER OR TANK AS APPROPRIATE.**
- **OPEN DOORS AND WINDOWS TO GET RID OF THE GAS.**
- **IMMEDIATELY CALL THE GAS EMERGENCY SERVICE FROM A  
NEIGHBOURS PHONE - GAS EMERGENCY CONTACT NUMBERS ARE;**
  - **England, Wales and Scotland**                      **0800 111 999**
  - **Northern Ireland**                                      **0800 002 001**
  - **Republic of Ireland**                                      **1850 20 50 50**

**Do** have the fire installed by a competent person. In the United Kingdom, installation must be in accordance with the latest edition of the Gas Safety (installation & use) Regulations. In the Republic of Ireland, installation must be in accordance with all national and local regulations in force.

**Do** have the chimney swept prior to installation if it was previously used for solid fuel.

**Do** have the fire installed in accordance with the installation instructions.

**Do** wait three minutes before attempting to relight if the fire is switched off or the flames are extinguished for any reason. (Your fire is fitted with a safety device that will automatically shut off the gas supply to the fire if, for any reason, the flames go out).

**Do** get advice about the suitability of any wall covering near your fire. Soft wall coverings (e.g. embossed vinyl, etc.) which have a raised pattern are easily affected by heat. They may, therefore, scorch or become discoloured when close to a heating appliance. Please bear this in mind whenever you are considering redecorating.

**Do** provide a minimum side clearance of 300mm from the side of the appliance, not the trim. Please bear this in mind if ever you are considering altering the room.

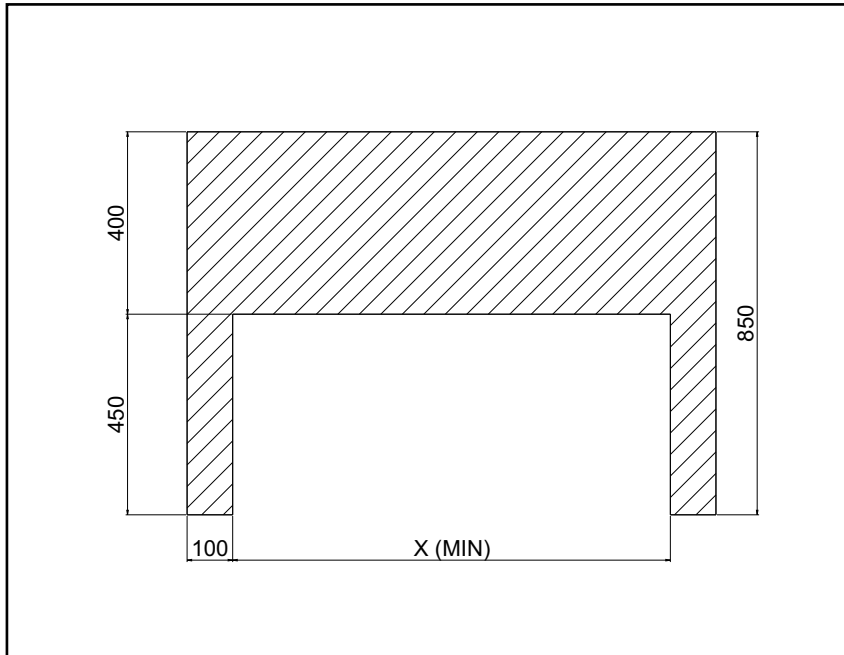
**Do** provide a suitable guard that complies with BS 8423 for the protection of young children, the elderly, the infirm and pet animals.

**Do** provide the minimum height from the base of the fireplace opening to the underside of any shelf made from wood or other combustible materials. The appliance can be fitted to a purpose made proprietary class "O"-150°C surround. The hearth material must be at least 12mm thick. The periphery of the hearth (or fender) should be at least 50mm above floor level to discourage the placing of carpets or rugs over it. The surface of the hearth must be sufficiently flat to enable the bottom of the front surround and the bottom front cover to be aligned horizontally. Any excessive unevenness (uneven tiles, Cotswold stone, etc.) should be rectified. The appliance must not stand on combustible materials or carpets. Where no hearth is fitted.



# OWNER GUIDE

**Do** ensure all combustable materials must be removed from the area shown in below diagram. The use of heat resistant plaster or board is recomended within the below shaded areas



Model	Dimension X
600FS / 600RC	600 mm Min
800FS / 800RC	800 mm Min
1000FS / 1000RC	922 mm Min

**Do** ensure that a combustable shelf must be a minimum of 400mm above the top of the appliance. This is based on a 150mm deep shelf. For every extra 13mm of depth add 25mm above the 400mm from the top of the appliance, not the trim.

**Don't** hang clothing, towels or any other fabrics over the fire.

**Don't** add any ceramic fuel effect pieces to the burner. This could cause incomplete combustion and safety hazard.

**Don't** put paper or any other material on the fire.

**Don't** place any combustibile material (rugs, carpet, plastic tiles, etc.) on the hearth.

**Don't** attempt to clean or service the fire until it has been switched off and allowed to cool completely.

# OWNER GUIDE

## GAS CONSUMPTION

### **Natural Gas - 600RC**

Maximum (both burners HIGH) NG input of	6.0kw (Gross)
Medium (both burners LOW or front burner only HIGH) NG input of	3.2kw (Gross)
Minimum (front burner only LOW) NG input of	2.4kw (Gross)

### **Natural Gas - 600FS**

Maximum (both burners HIGH) NG input of	6.0kw (Gross)
Medium (front burner only HIGH) NG input of	3.2kw (Gross)
Minimum/Ignition (front burner only LOW) NG input of	2.4kw (Gross)

### **Natural Gas - 800RC**

Maximum (both burners HIGH) NG input of	6.4kw (Gross)
Medium (both burners LOW or front burner only HIGH) NG input of	3.3kw (Gross)
Minimum (front burner only LOW) NG input of	2.4kw (Gross)

### **Natural Gas - 800FS**

Maximum (both burners HIGH) NG input of	6.4kw (Gross)
Medium (front burner only HIGH) NG input of	3.1kw (Gross)
Minimum/Ignition (front burner only) NG input of	2.4kw (Gross)

### **Natural Gas - 1000RC**

Maximum (both burners HIGH) NG input of	6.95kw (Gross)
Medium (both burners LOW or front burner only HIGH) NG input of	3.5kw (Gross)
Minimum (front burner only LOW) NG input of	2.5kw (Gross)

### **Natural Gas - 1000FS**

Maximum (both burners HIGH) NG input of	6.95kw (Gross)
Medium (front burner only HIGH) NG input of	3.7kw (Gross)
Minimum/Ignition (front burner only) NG input of	2.8kw (Gross)

## OPERATING YOUR FIRE

### ***PLEASE NOTE***

When operating your fire for the first time, some vapours may be given off which may cause a slight odour and could possibly set off any smoke alarms in the immediate vicinity. These vapours are quite normal with new appliances. They are totally harmless and will disappear after a few hours use.

### **The Oxysafe flame sensing and flue blockage safety system.**

For your safety, this appliance is fitted with a flue blockage safety device which will shut down the appliance in the event of abnormal flue conditions. ***This device is***

***NOT a substitute for an independently mounted Carbon Monoxide detector.***

The device will also automatically shut off the gas supply to the fire if the pilot flame goes out due to lack of oxygen or for any other reason.

***If this device starts to repeatedly shut off the gas, get expert advice.***

# OWNER GUIDE

This device incorporates a probe which senses that the heat from the pilot flame is correct. If this probe is cool, the device will prevent any gas flow unless the control knob is held in at the ignition position.

If, for any reason, the flames go out when the fire is hot or if the fire is turned off when hot, always **wait at least three minutes before attempting to relight.**

## Basic operations of the fire with the Remote Control Handset.

**Reference the remote control handset operation manual for all the features.-**

Setting Fahrenheit or Celsius

- Setting the time / - Child Proof option / - Manual mode (handset)
- Standby mode (Pilot flame) / - Flame height adjustment
- Designated Low fire and High fire / - Countdown Timer
- Modes of operation
  - Thermostatic mode
  - Programme mode
  - Eco mode
- Auxiliary feature (Rear burner operation)

### Lighting the fire.

Press and hold the 'ON' button until a short acoustic signal confirms the start sequence has begun; release button. Continuing signals confirms the ignition is in progress. There will be a slight delay and several sparks should be seen between the electrode and pilot tip. Once pilot ignition is confirmed there is main gas flow.

## ▲ WARNING

When pilot ignition is confirmed, motor turns automatically to maximum flame height.

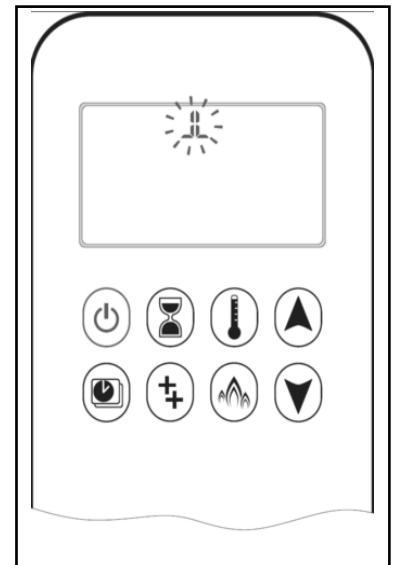
### Adjusting the flame height.

When the burner is operating press the UP arrow button to increase the flame height.

**Note:** Flame height can be adjusted UP on a single burner or when the two burners are lit at the same time to get the desired output.

Press the DOWN arrow button to decrease the flame height.

**Note:** Flame height can be adjusted UP on a single burner or when the two burners are lit at the same time to get the desired output.



## Switching ON and OFF the rear burner

Press and hold the ++ button until the rear burner flame ignites. To turn the rear burner OFF again simply press and hold the ++ button till it extinguishes.

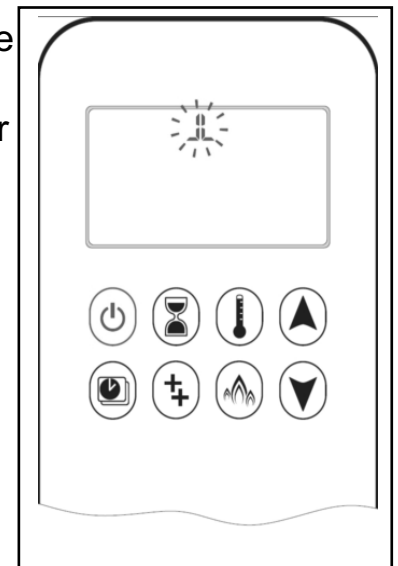


## Adjusting to the pilot only setting.

When the burner is operating press and hold the DOWN arrow until the burner flame/flames extinguishes. The pilot can be seen through the cutout at the middle front of the burner opening. To turn the main burner on again simply press and hold the UP arrow button.

## To turn off.

To turn the fire off press the 'OFF' button. After turning the fire off the remote control valve will return to its starting position. For this reason it is important to leave the appliance alone for a period of one (1) minute before attempting to relight.



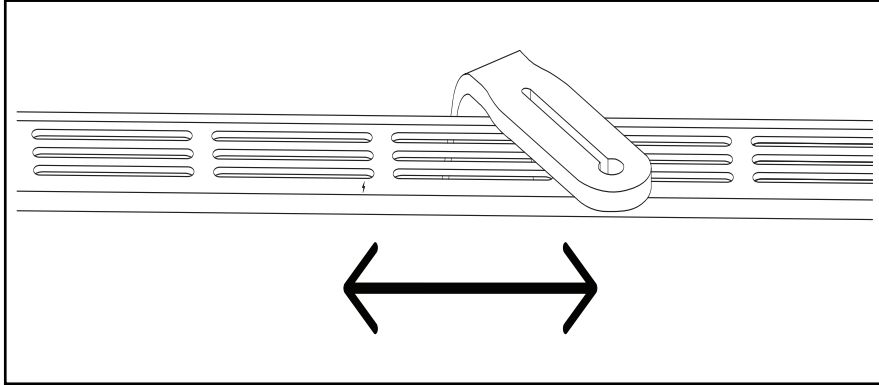
## To turn off using the Rocker switch.

To turn the fire off press the 'ON/OFF' switch to the 'O' (Off position), rocker switch only fitted onto 600RC & 800RC models.

If the appliance will not operate, follow the instructions "To Turn Off" below and call the Valor Technical Helpline **0844 8711 565**.

### Lighting the fire.

– Push the slider handle to the LEFT as far as possible till the ignition position is reached, several sparks will occur between the electrode and pilot tip. Hold in this position till the pilot flame has heated the thermocouple sufficiently to hold. Approx. 5 - 15 seconds.



### Adjusting flame height.

When the burner is operating step the slider handle to the RHS, increments will be felt as the slider moves giving you the following outputs;

**Position 1** - After ignition Front burner is on LOW

**Position 2** - Moving slider handle one increment to RHS, front burner is on HIGH.

**Position 3** - Moving slider handle one more increment to the RHS, Rear burner on HIGH ignites (along with the Front burner remaining on HIGH)

**Position 4** - Moving the slider as far as possible to the RHS is OFF

**Note:** *There is no pilot only setting on the Slider (FS) models.*

### Turning off.

To turn the fire off push the slider as far as possible to the RHS.

To maintain the high performance and quality finish of your fire please follow these guidelines:

- Before attempting to clean the fire, please remember to turn off the fire and wait for the appliance to cool completely. The fire will retain heat for some time before cleaning can begin.
- If any pieces of debris are found in the convector box, have the chimney inspected before further use.

### **Trim, Metal and painted parts.**

- Clean the metal and painted parts with a slightly damp, lint free non-abrasive cloth and then dry.
- Do **not** use abrasive cleaners, as these will scratch the fire surface.

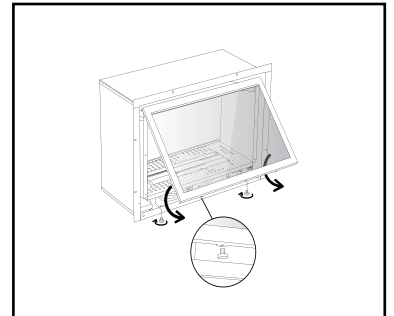
### **Removing and cleaning the window assembly.**

Removal of the window assembly is only necessary if you wish to clean the rear of the window or access the ceramic components. The window assembly can be cleaned with a mild detergent and water. Glass cleaner can also be used. Any stains on the glass can be removed with a non-abrasive cleaner such as a ceramic hob cleaner. Never use abrasive cleaners. Clean the window carefully in accordance with the instructions supplied with the cleaner.

**1.** The window door panel is secured at the bottom with two hand tightened M5 knurled screws.

**2.** With both knurled screws removed, gently pull the base of the window panel forward. Hold the window panel base and lift upward until clear.

**3.** To remove the window door panel easier remove the visual baffle first.



### **Ceramic fuel effect log pieces and convector box compartment walls.**

To gain access to the ceramic components the window door assembly must be removed as in the previous section.

**This product uses fuel effect pieces, burner compartment walls and ceramic pebbles containing Refractory Ceramic Fibres (RCF), which are man-made vitreous silicate fibres. Excessive exposure to this material may cause irritation to eyes, skin and respiratory tract. Consequently, it is important to take care when handling these articles to ensure that the release of dust is kept to a minimum.**

## OWNER GUIDE

- Light coatings of soot will usually be burnt off during the normal operation of the fire. Should any soot accumulation become excessive, the effected overlay log or ceramic fuel effect base should be removed from the fire for cleaning.
- Cleaning should be carried out in a well ventilated area or in the open air by gently brushing with the pieces held away from your face so that you avoid inhaling the dust.
- We do not recommend the use of a normal domestic vacuum cleaner which may blow dust back into the air.
- We suggest that you remove the ceramic fuel effect pieces in the reverse order to that shown in the ceramic fuel effect installer and owner guide.
- Once cleaned replace the log fuel effect as in ceramic fuel effect installer and owner guide.

### **Burner.**

To gain access to the burner the window assembly, ceramic components and top tray must be removed as in the previous sections.

Remove any deposits of soot or other foreign matter from the surface of the burner with a dry soft brush. Be careful not to brush any particles into the open slots. Remove any particles from the slots with a vacuum cleaner fitted with a soft brush attachment. **Do not poke wire, etc. into the slots in the burner.**

**Battery replacement.**

**Please note: In order to ensure maximum battery life and optimal performance, we recommend that only 'Long Life' alkaline type replacement batteries are used.**

**Handset (RC only)**

The remote control handset is battery powered. To replace the battery, remove the rear compartment cover from the remote control handset. To do this push the cover towards the bottom of the handset. Remove the existing battery. Fit two 'AAA' size batteries in to the handset and replace the cover.

**Remote battery box (RC only)**

The gas valve and receiver box are battery powered (6-Volt). To replace the four 'AA' batteries it will be necessary to remove the visual baffle.

**NOTE:** the four 'AA' batteries do not get fitted into the receiver unit but instead only into the remote battery box on the connecting cable.

The front of the visual baffle is held in place with two M5 knurled screws. Unscrew both anti clockwise by hand to remove them holding the visual baffle gently pull forward to remove. The battery pack is now accesable, lift it up and out carefully.



Open and slide the battery compartment cover clear. Remove the existing batteries. Fit four Alkaline 1.5 Volt 'AA' size batteries. It is important that the +ve and -ve symbols on the battery match those of the illustration inside the battery holder.

**NEVER** connect a 9-Volt battery directly to the cable of the remote battery box.

Replace and secure the cover, place the batter pack back from where it was removed from. (LHS of the burner assembly) and replace the visual baffle and two screws.

**Automatic Shut OFF (RC only)**

With Low battery power to the reciever the system shuts off the fire completely, if this occurs replace the four 'AA' batteries with new alkaline ones immediately.

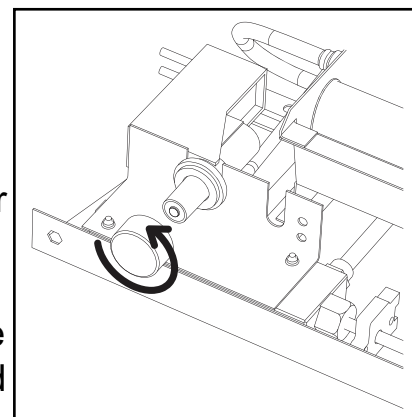
**NOTE** - This will not happen if the power supply is interrupted.



### Spark ignition generator (FS only)

The spark ignition generator are battery powered (1.5-Volt). To replace the single 'AA' battery required it is not necessary to remove the visual baffle but you may do so if easier access required. At the front of the electronic spark generator there is a removable circular battery cover. Unscrew the cover in an anticlockwise direction.

Remove any protective film from the new battery if applicable and place into the generator. The negative (-) terminal should go in first. The battery is marked with (+). Screw back on the cap.



### Regular maintenance.

In order to achieve and maintain high levels of personal safety and performance efficiency, it is essential that the opening at the back of the fire and the flue are kept clear of any form of obstruction.

It is possible that deposits of mortar or soot could fall and accumulate causing the flue to be blocked or restricted and so preventing proper clearance of dangerous exhaust fumes.

In the United Kingdom it is the law that a landlord must have any gas appliance, flue and pipework which is situated in a tenant's premises checked for safety at least every twelve months by a competent person (GAS SAFE REGISTER operative). We recommend that all gas appliances and their flues, wherever situated, are checked annually.

The service engineer must complete the relevant Service Record on **Page 62** after each service.

### Replacement ceramics / liners / ember wool.

If you wish to replace the ceramic log fuel effect / liners / ember wool, etc spare parts are available from our customer service team call the UK Helpline on **0844 879 35 88** or from the Republic of Ireland on **01 842 8222**.

## Standard Warranty Terms & Conditions

The warranty is for 12 months subject to contract.

In the United Kingdom servicing can be carried out either by a **GDC** service operative or a **GAS SAFE REGISTER** operative. You must register your fire by calling our telephone registration line on **08444 810 214**.

This product should be serviced annually to optimise its safety, efficiency and performance. The GAS SAFE REGISTER service engineer must complete the relevant Service Record on the Benchmark Checklist after each service.

It is also a requirement of the warranty that the fire has an annual service (every 12 months) in accordance with the installation and servicing instructions.



### Benchmark Checklist/Service Record

Please ensure that the installer has fully completed the Benchmark Checklist on the inside back pages of the installation instructions supplied with the product and that you have signed it to say that you have received a full and clear explanation of its operation. The installer is legally required to complete a commissioning checklist as a means of complying with the appropriate Building Regulations (England and Wales).

Installations carried out in England and Wales must be notified to Local Area Building Control either directly or through a Competent Persons Scheme. A Building Regulations Compliance Certificate will then be issued to the customer who should, on receipt, write the Notification Number on the Benchmark Checklist.

The filled in Benchmark Checklist/Service Record by the installer will be required in the event of any warranty (UK and Ireland installation).

After servicing, complete the relevant "Service Interval Record" section of the Benchmark Checklist located on the inside back pages of this document.

## Our promise to you

If you experience a fault with your new fire, we aim to provide a safe and high quality repair service supported by our dedicated national network of highly skilled operatives.

If your installer can't resolve the problem for you, we will do everything we can to get an operative out to you as quickly as possible. Nothing in this warranty will affect your statutory rights.

## -What you need to do if you experience a problem with the operation of the fire:

– You should always contact your installer first, because the cause of the fault may not be related to the fire.

– If your installer confirms that the fault is with the fire and they can't repair it, our friendly customer service team is on hand to help.

– Simply call our UK Helpline on **0844 879 35 88** or from the Republic of Ireland on **01 842 8222** for any general advice that you may need.

When calling the **Helpline**, it would be helpful if you could have the following information to hand:-

1. Fire serial number/barcode\*  
(Located on the appliance data label, also on this manual).
2. Date of installation\*
3. Your installer name and address details\*
4. Fire make and model number\*
5. Annual Service record details\*
6. Proof of purchase (if you do not have the fire serial number)

**\*Note: details 1 – 5 should be recorded as part of the Benchmark Checklist / Service record at the end of this guide.**

## What this warranty covers

Free of charge repair or replacement of components found to be of faulty manufacture.

Free of charge replacement of the complete unit providing the failure is related to a manufacturing fault that cannot be repaired or is uneconomic to repair.

## **What this warranty does not cover**

Repairs to fires which haven't been installed and commissioned properly and as set out in the installation instructions.

Faults caused by inadequate supply of gas or electricity (where applicable).

Reimbursement of any third party repair or replacement costs that we haven't been told about or agreed with you in advance.

Compensation or consequential losses (e.g. loss of earnings, business losses, stress and inconvenience) arising from a production breakdown, including repair delays caused by factors outside our reasonable control.

# OWNER GUIDE

## GAS FIRE COMMISSIONING CHECKLIST

This Commissioning Checklist is to be completed in full by the competent person who commissioned the gas fire as a means of demonstrating compliance with the appropriate Building Regulations and then handed to the customer to keep for future reference.

Failure to install and commission according to the manufacturer's instructions and complete this Benchmark Commissioning Checklist will invalidate the warranty. This does not affect the customer's statutory rights.

Customer name:	Telephone number:	
Address:		
Gas Fire make and model:		
Gas Fire serial number: <input type="text"/>		
Commissioned by (PRINT NAME):		Gas Safe register number:
Company name:		Telephone number:
Company address:		
		Commissioning date:
Building Regulations Notification Number (if applicable):		

Site Requirements	Yes	N/A
Was the chimney checked to ensure it only serves one flue/fire, has no obstructions and is continuous?		
Has any debris at the base of the chimney been removed?		
For brick chimney installations is there enough depth for 12 litres of debris, or precast flues 2 litres of debris? (see instructions for debris gap details)		
Have damper and register plates been removed or locked in the fully open position ensuring correct size of flue is maintained?		
If previously used for solid fuel has the chimney been thoroughly swept?		
If the chimney is pre-cast has the inside of the flue been checked for extruded cement / sealant which must be removed?		
Has the fire place been checked for under-floor air supply which must be sealed off?		
Has the chimney been inspected prior to fitting the gas fire to ensure that it is in good condition?		
Has the structure of the chimney been checked for leakage using a smoke pellet test? (See BS5440-1 for details).		
<b>Ventilation</b>		
Does the installation require any additional ventilation requirements as detailed in the manufacturer's instructions?		
<b>Hearth Requirements- where fitted</b>		
Is the hearth constructed from non -combustible material?		
Is the hearth a minimum of 12mm thick with a minimum floor to top surface of 50mm?(BS5871) or as per manufacturer's instructions?		
Is the hearth for open fronted fires a minimum of 760mm wide and has 300mm projecting from the fire opening (BS6871) or to manufacturer's instructions?		
Mounting height (where applicable) has the fire been installed to the correct mounting height- as per manufacturer's instructions?		
<b>Firebox and Fuel Bed</b>		
Has the fuel bed, coals, pebbles etc. been fitted to manufacturer's instructions?		
<b>Gas Supply</b>		
Has an isolation tap/restrictor inlet elbow been fitted for servicing?		
Has the gas supply been thoroughly purged prior to connection to remove any debris?		
Has a gas tightness test been completed prior to breaking into the gas supply and following completion of installation?(IGEM/UP/1B)		
Record burner gas pressure reading? If only the supply pressure is available a gas rate must be undertaken.(GSIUR REG26/9C)		
Record dynamic inlet gas pressure (working pressure) reading (all gas appliances running)		
<b>Spillage test</b>		
Installation passes smoke match test with any extractor fans turned on (see manufacturer's instructions)		
<b>Installation</b>		
Has the gas fire been installed and commissioned in accordance with manufacturer's instructions?		
Has the fire been installed with the correct clearance to combustible materials, as per manufacturer's instructions?		
The operation of the appliance and controls have been demonstrated to the customer including battery replacement where applicable?		
The manufacturer's literature, including Benchmark Checklist and Service record has been explained and left with the customer?		
Has the appliance been registered with the Local Authority as detailed on the Gas Safe web site and is a legal requirement and forms part of the warranty?		
Customer's Signature: (To confirm satisfactory demonstration and receipt of manufacturer's literature)	Commissioning Engineer's Signature:	

\*All installations in England and Wales must be notified to be Local Authority Building Control (LABC) either directly or through a Persons Scheme. A Building Regulations Compliance Certificate will then be issued to the customer.



# OWNER GUIDE

## SERVICE RECORD

It is essential that your gas fire is serviced regularly and that the appropriate Service Interval Record is completed.

### Service Provider

Before completing the appropriate Service Record below, please ensure you have carried out the service as described in the manufacturer's instructions. Always use the manufacturer's specified spare part when replacing controls.

<b>SERVICE 01</b>		Date:	<b>SERVICE 02</b>		Date:
Engineer name:			Engineer name:		
Company name:			Company name:		
Telephone No:			Telephone No:		
Gas safe register No:			Gas safe register No:		
Comments:			Comments:		
Signature			Signature		
<b>SERVICE 03</b>		Date:	<b>SERVICE 04</b>		Date:
Engineer name:			Engineer name:		
Company name:			Company name:		
Telephone No:			Telephone No:		
Gas safe register No:			Gas safe register No:		
Comments:			Comments:		
Signature			Signature		
<b>SERVICE 05</b>		Date:	<b>SERVICE 06</b>		Date:
Engineer name:			Engineer name:		
Company name:			Company name:		
Telephone No:			Telephone No:		
Gas safe register No:			Gas safe register No:		
Comments:			Comments:		
Signature			Signature		
<b>SERVICE 07</b>		Date:	<b>SERVICE 08</b>		Date:
Engineer name:			Engineer name:		
Company name:			Company name:		
Telephone No:			Telephone No:		
Gas safe register No:			Gas safe register No:		
Comments:			Comments:		
Signature			Signature		
<b>SERVICE 09</b>		Date:	<b>SERVICE 10</b>		Date:
Engineer name:			Engineer name:		
Company name:			Company name:		
Telephone No:			Telephone No:		
Gas safe register No:			Gas safe register No:		
Comments:			Comments:		
Signature			Signature		



A LABEL CONTAINING THE SERIAL NUMBER AND BARCODE MAY HAVE BEEN PLACED  
INSIDE THIS BOX.

SERIAL NUMBER LABEL  
TO BE AFFIXED HERE

