

The diagram below shows a schematic wiring diagram.

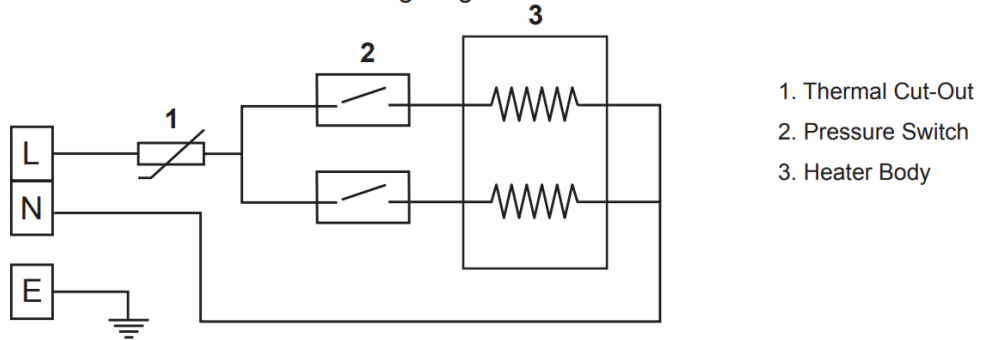
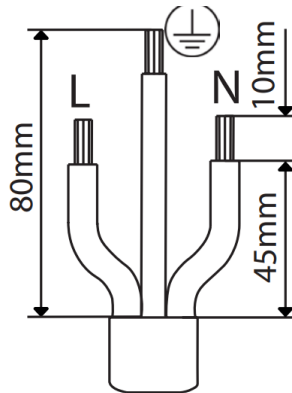


Fig. 1



DIRECT CLIPPED Cable Run Guide					
KW RATING	NOMINAL AT 240V	MINIMUM RATING ISOLATING SWITCH	FUSE RATING	MAX CABLE RUN	
				6mm ²	10mm ²
7.5	31.25amps	40amps	40amps	29m	48m
8.5	35.41amps	40amps	40amps	23m	38m
9.5	39.58amps	40amps	40amps	21m	32m
10.5	43.75amps	45amps	45amps	18m	30m

Electrical Connections

The electrical installation must be in accordance with the current BS.7671 (IET Wiring Regulations) and 'Part P' of the Building Regulations and/or local regulations. The shower unit is designed for a single phase AC electrical supply.

Cut back cable (Fig. 1) and connect the cable to terminal block making sure that all the retaining screws are very tight and that no cable insulation is trapped under the screws. Ensure the cable clamp is used to secure the cable into position.

The supply cable size is determined by the kW rating of the product (as detailed on the rating plate fixed to the back plate) and the distance between the shower and the consumer unit. The table (for direct clipped cable runs) is for guidance only but will help you understand which is the correct potential cable for your installation. You should always consult a qualified electrician to confirm and install all your shower components.