

GATHER HOOD CONNECTOR KIT

Inspire range, Gather hood connector kits available;

Inspire 500RC, 500FS

Inspire 400FS, 600RC, 600FS and Modena Homeflame range.

Inspire 800RC, 800FS & 1000RC, 1000FS

Suitable kit; **061621**

Suitable kit; **061638**

Suitable kit; **061645**

EACH KIT CONSISTS OF;

Gather hood	x 1
Guide rails	x 2
Front fixing screws	x 2
Kit instruction guide	x 1

This range of gather hood connector kits are designed for use on the Inspire collection and Modena Homeflame ranges ONLY.

The three gather hood sizes available are designed to suit these ranges all have a 123mm top collar for flue connection.

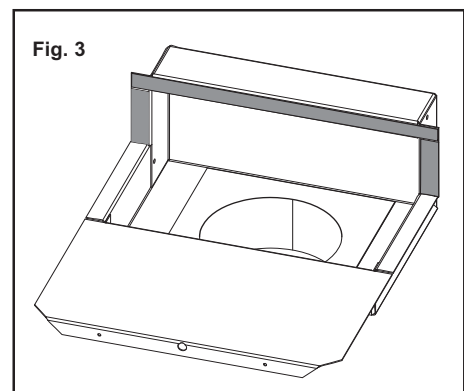
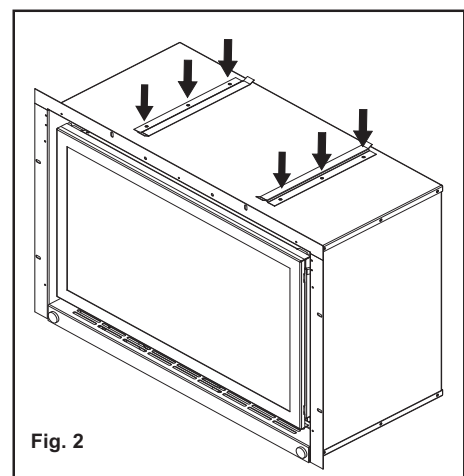
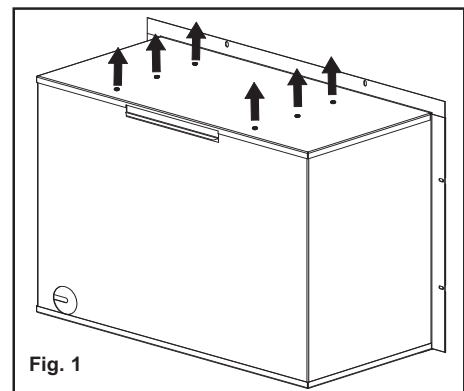
The Inspire and Modena gas fire products are intended to be used only in a fireplace of non-combustible material. However if a stud work chimney breast is used the builder/installer **MUST** ensure to leave a minimum **75mm** clear to the sides of the appliance and a minimum of **100mm** clear to the rear of the gather hood connector.

Directly above the appliance the area should be left clear to prevent a build-up of heat. If the fireplace wall ends at ceiling height two air vents of at least **50cm²** should be installed one at the bottom and one at the top of the wall to reduce heat build-up. Do Not Finalise Installation until the main instructions (relevant part numbers below) has been consulted. The main manual will provide further guidance in regards to general installation and clearances required.

1. To install the kit first remove the six pre installed No.6 x 3/8" screws as shown in (Fig. 1) from the top of the gas fire.
2. Position the two guide rails onto the top of the gas fire where you have just removed the six screws. The guide rails have three screw fixing holes on each rail matching the holes onto the top of the fire. Ensure the guide rails are positioned as in (Fig. 2) creating a channel to the inside for the gather hood to slide down. Use the six No.6 x 3/8 screws previously removed, securing the two rails tightly in place.
3. A foam seal has been pre installed onto the inside rear of the gather hood connector as shown in the highlighted sections (Fig. 3) to ensure the seal between the engine and flue connector, check that this seal is intact.

NOTE: BEFORE FITTING THE FLUE CONNECTOR ENSURE THAT THE RESTRICTOR LOCATED AT THE TOP REAR OF THE ENGINE IS IN THE FULLY OPEN POSITION.

GDC Group Ltd. May 2017



INSTALLER GUIDE

4. Slide the gather hood connector onto the engine by lining it up from the rear, with the guide rails fitted. Pull the gather hood fully forward. Once in position secure the gather hood in place with the two screws provided as shown in (Fig. 4).

NOTE: Ensure a Spillage test is undertaken

Note: If a flexible flue liner is to be used at this stage the liner must be continuous from the gather hood connector to the roof terminal.

There are three suitable Convectional Flue Options;

1. Rear exit - Builders opening Unlined 178mm (7") minimum.
2. Top Exit - Builders opening Lined 127mm (5")
3. Stud work is Top Exit only - Twin Wall Rigid 127mm (5")

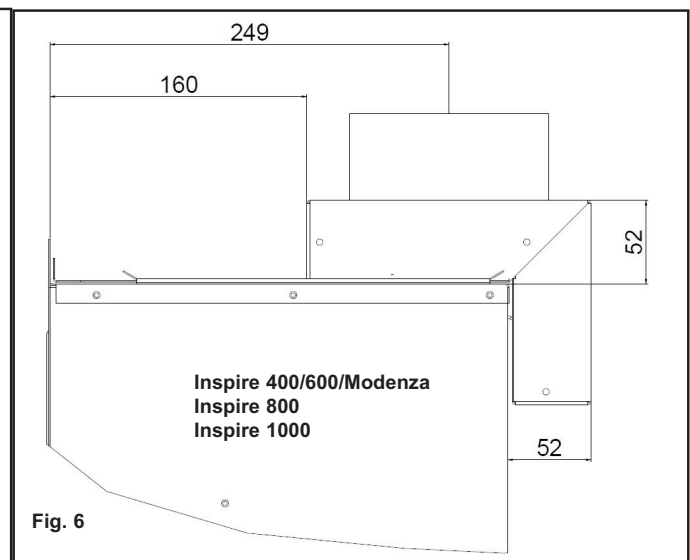
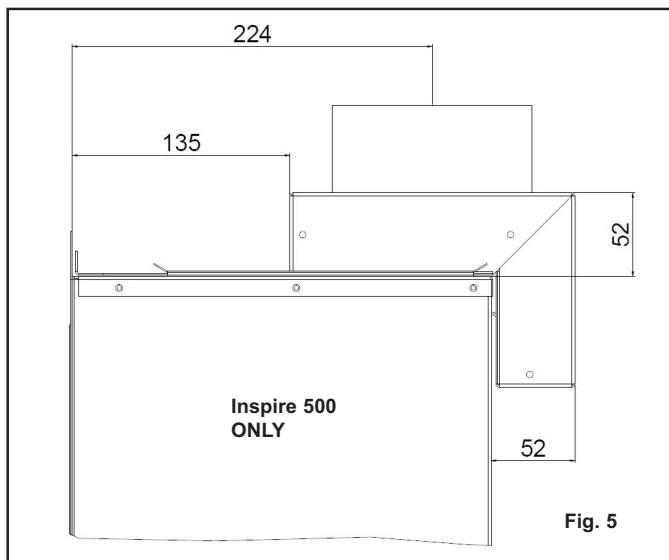
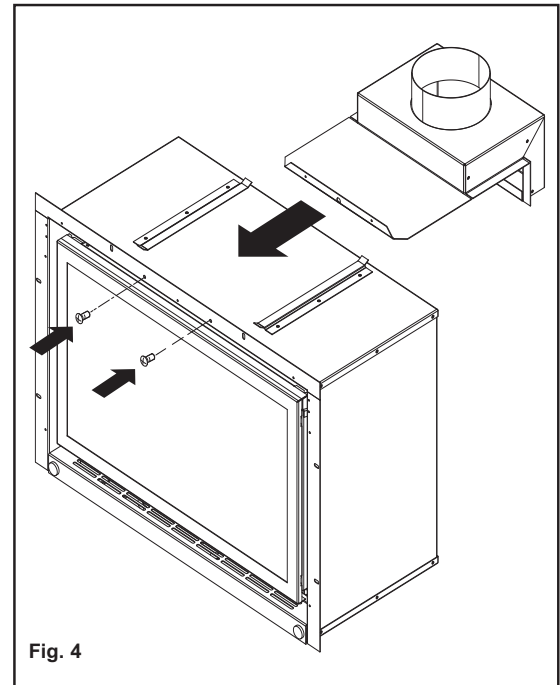


Fig.5 (Inspire 500 Only) & Fig.6 (Inspire range) above provides some reference dimensions (mm) of the gather hoods to the Inspire engine when assembled as in steps 1 - 4.

NOTE: For additional installation information follow the relevant Installer & User instructions;

- 500RC & 500FS Part no. 08/53335/0
- 400FS Part no. 08/53727/0
- 600RC, 600FS, 800RC, 800FS & 1000RC & 1000FS Part no. 08/53230/0
- Modena Homeflame Part no. 08/53628/0



If you experience a problem or have any further questions regarding the installation of this gather hood connector kit:

Simply call our UK Helpline on **0844 879 35 88** or from the Republic of Ireland on **01 842 8222** for any general advice that you may need.