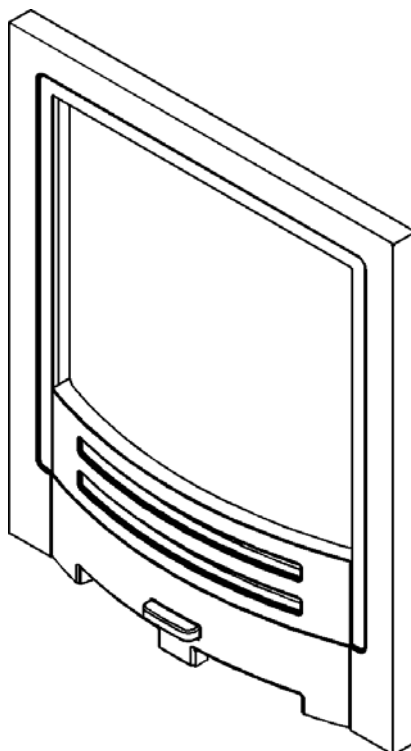




EBONY FASCIA FITTING GUIDE



This guide should be read in conjunction with the installer and owner guide supplied with the fire.

This guide is intended to help you install your Ebony fascia. Please read carefully before installing. However, if further information is required, our

Wonderfire Premier Technical Helpline will be pleased to help.

Telephone **0844 8711 565** (National call rates apply in the United Kingdom)

In the Republic of Ireland call **0044 844 8711 565**.

Important: Please keep your guide in a safe place for future reference.

INSTALLATION GUIDE

© Baxi Heating U.K. Limited 2009.

All rights reserved. No part of this publication may be reproduced in any material form (including photocopying), stored in any medium by electronic means (including in any retrieval system or database) or transmitted, in any form or by any means, whether electronic, mechanical, recording or otherwise, without the prior written permission of the copyright owner.

Applications for the copyright owner's permission to reproduce any part of this publication should be made, giving details of the proposed use, to the following address: The Company Secretary, Baxi Heating UK Limited, The Wyvern Business Park, Stanier Way, Derby, DE21 6BF.

Warning: Any person who does any unauthorised act in relation to a copyright work may be liable to criminal prosecution and civil claims for damages.



Wonderfire Premier, Wood Lane, Erdington, Birmingham B24 9QP
www.wonderfire.co.uk

Because our policy is one of constant development and improvement, details may vary slightly from those given in this publication

INSTALLATION GUIDE

HANDLING AND UNPACKING

Before continuing any further with the installation of this fascia please read the following:

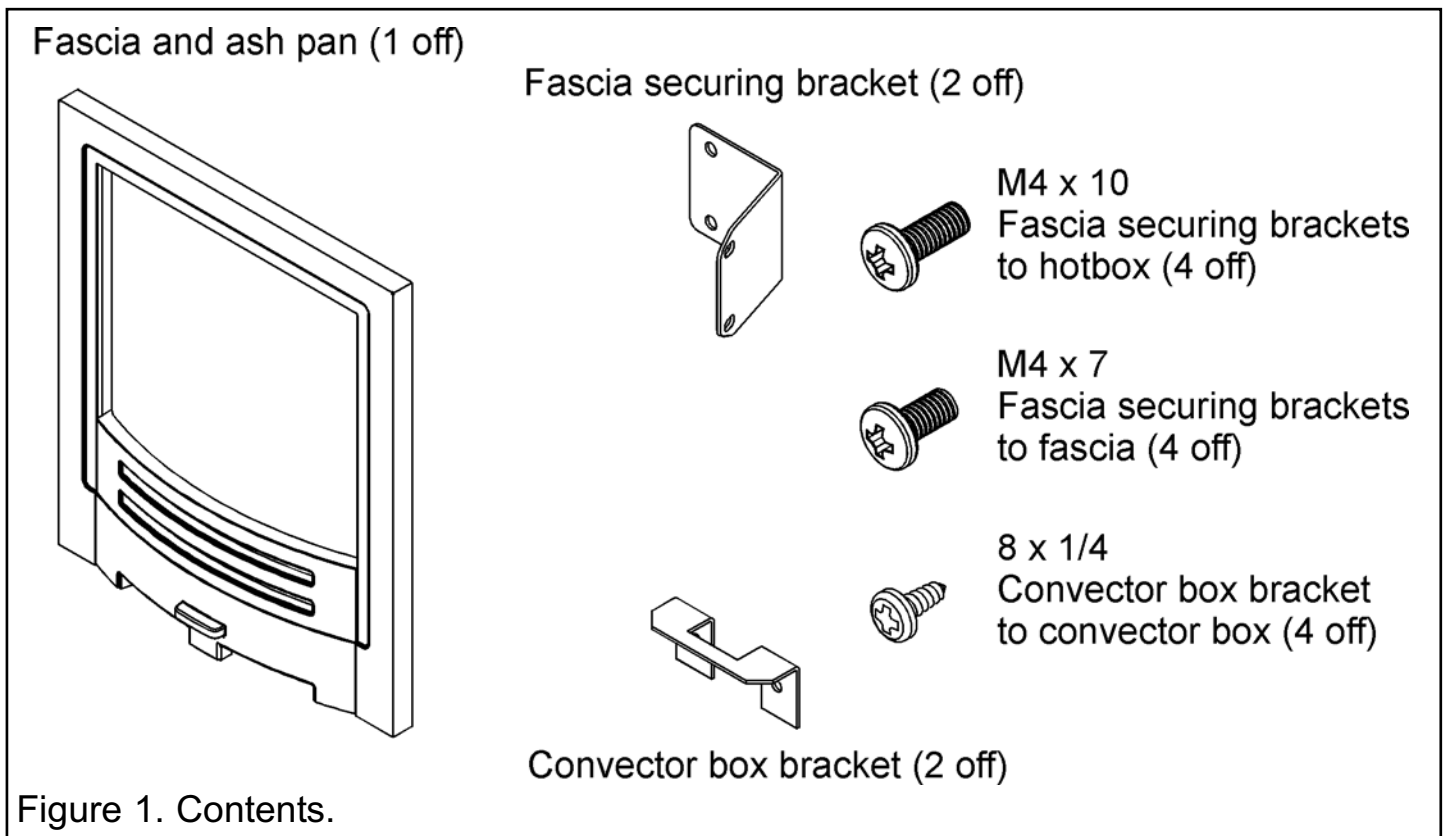
Important instructions.

- The approximate lifting weights of the fascia components are as below:

Fascia	7.46kg
Ash pan	1.67kg

- One person should be sufficient to lift the fascia. If for any reason this weight is considered too heavy then obtain assistance.
- When lifting always keep your back straight. Bend your legs and not your back.
- Avoid twisting at the waist. It is better to reposition your feet.
- Avoid upper body / top heavy bending. Always bend from the knees rather than the waist. Do not lean forward or sideways whilst handling.
- Always grip with the palm of the hand. Do not use the tips of fingers for support.
- Always keep the surround as close to the body as possible. This will minimise the cantilever action.
- Use gloves to provide additional grip.
- Always use assistance if required.

CONTENTS

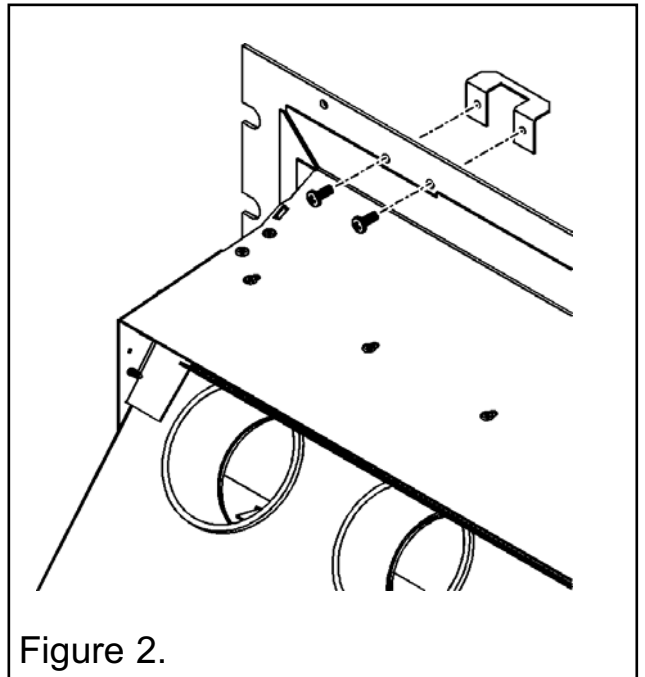


INSTALLATION GUIDE

FITTING THE FASCIA

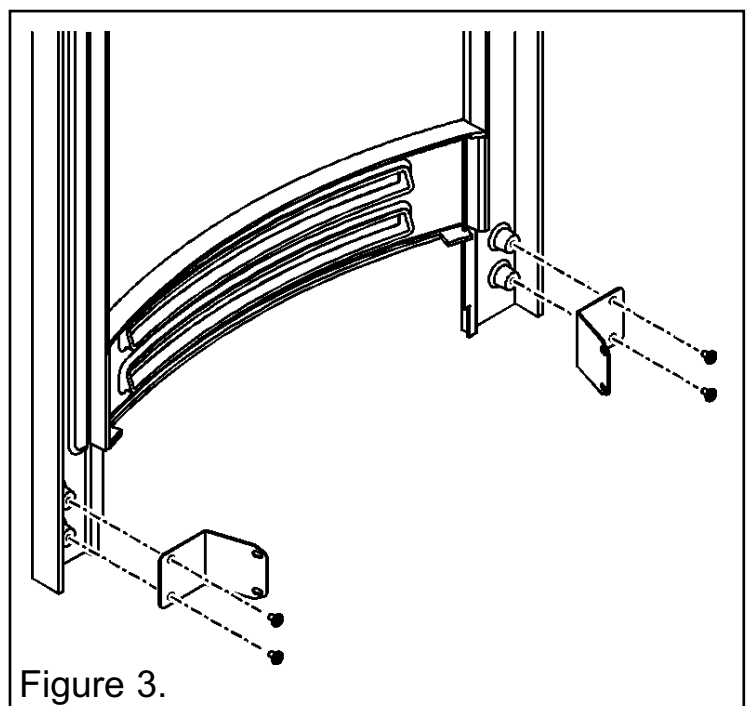
Step 1.

- Carefully unpack the fascia and remove any protective film.
- Locate and secure the fascia hanging brackets to the convector box top using four 8 x 1/4 screws supplied. Please note that the brackets are secured from the rear of the convector box flange. It is possible to fit the brackets incorrectly, please ensure that they are as in figure 2.



Step 2.

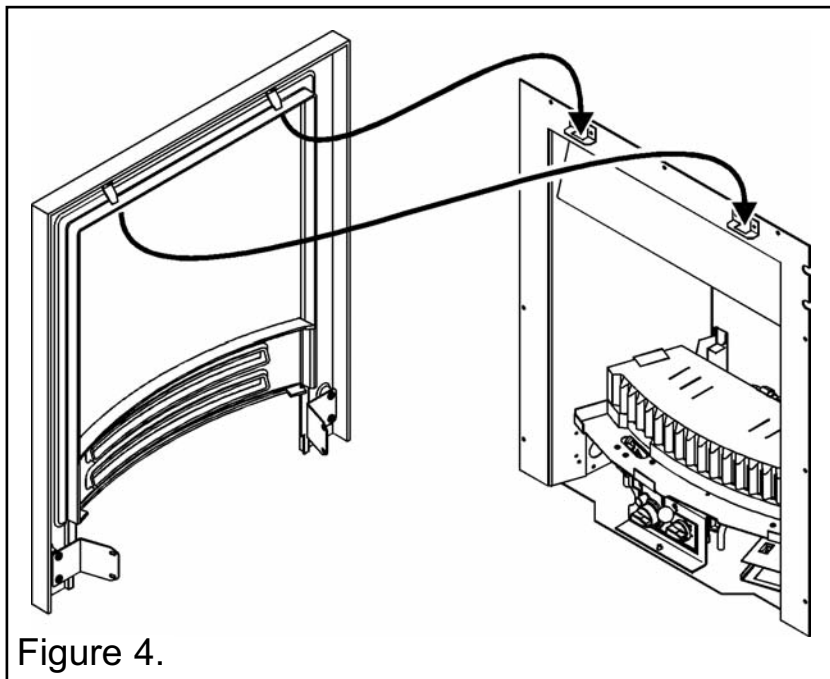
- Gently lay the fascia face down on a clean, flat, non-marking surface.
- Locate and secure the lower fascia brackets using four M4 x 7 screws supplied (See figure 3). **The screws only need to be finger tight** as this will help to align the bracket with the convection box.



INSTALLATION GUIDE

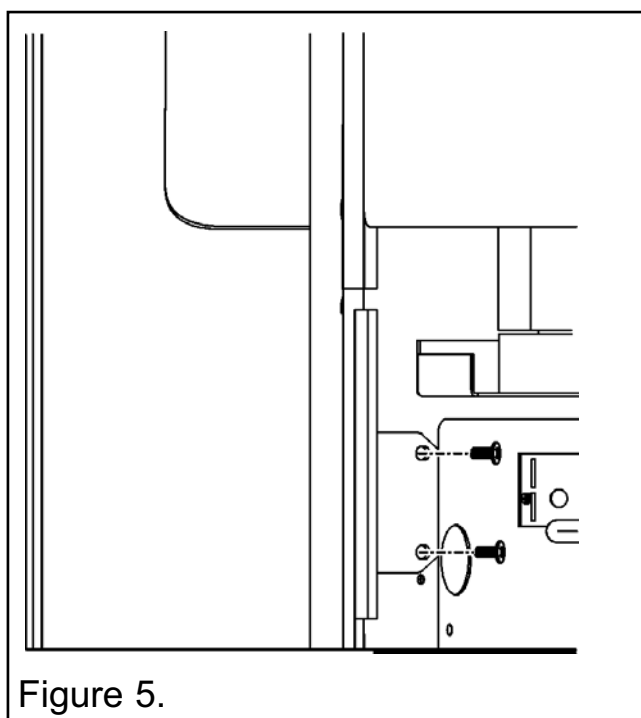
Step 3.

- Place the top rear of the fascia against the fireplace front surface so that the two retaining plates at the back of the fascia are directly above the two retaining brackets on the convection box. Keeping the lower part of the fascia clear of the fire body, lower the fascia making sure that the rear retaining plates locate fully into the retaining brackets on the convection box (See figure 4).



Step 4.

- Secure the bottom of the fascia using the M4 x 10 screws supplied. Depending on the burner controls it may not be possible to use all four fixing holes. At least one hole on each side of the fire must be used (See figure 5).



INSTALLATION GUIDE

Step 5.

- Locate the ash pan at the base of the fascia and check its alignment to the fascia sides. The base of the ash pan has three adjustable feet that can be screwed in and out should any adjustment be necessary (See figure 6).

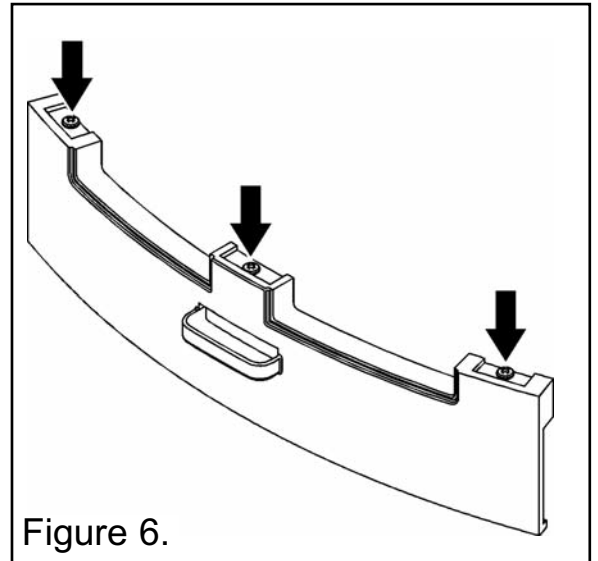


Figure 6.

