

CX10 & CMF

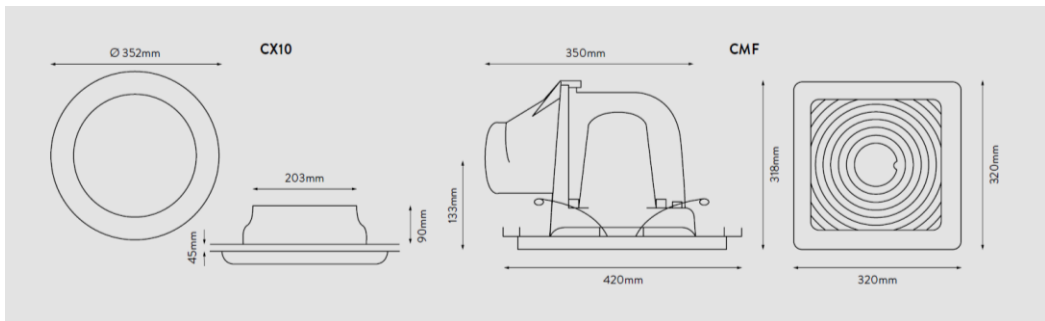
Commercial ceiling-mounted fans

The CX10 and CMF are flush-mounted ceiling extract fan units, which come complete with an intake grille finished in white. The CX10 has an integral duct connection spigot (203mmØ), while the CMF has a side entry spigot (150mm Ø) plenum box. Applications include kitchens, larger utility rooms, pub bars, schools and shops.



Key Features

- Integral duct connection spigot
- Side entry spigot
- Safety finger guard
- Integral fly guard
- Complies with building regulations Part F for kitchens
- IP rating - IPX4
- 2 year UK manufacturer guarantee



Product Selector		Design	Axial	Centrifugal
Model				
CX10	90209AB	●	✓	
CMF 271	89957AW	■		✓

Product Selector		Electrical Power Rating (W)	Extract Performance (m ³ /h)	Extract Performance (l/s)	Sound Pressure Level (dBA@3m)	Hole Diameter (mm)	Ducting Size (mm)	Weight (kg)
Model								
CX10	90209AB	34	329	91	44	300	200	1.8
CMF 271	89957AW	48	286	79	41	273 x 273	150	6.9