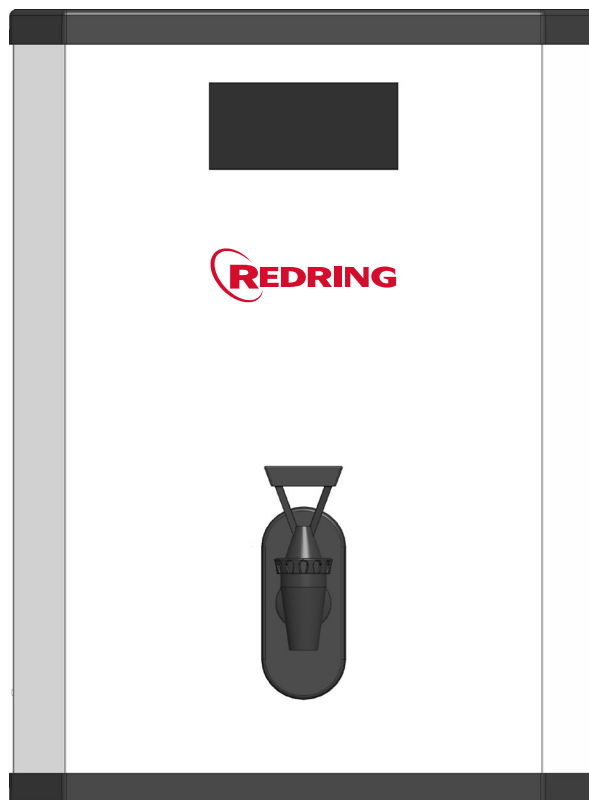




USER INSTRUCTION MANUAL

Autofill Wall Mount Boilers



Please read and
keep these
instructions

HELPLINE
0344 879 3588

Redring Warranty
2 Year Parts
2 Year Labour

083329501 - 05/12/13

Contents

1.0 About your Product

My Product (please complete this section)	page 3
Introduction	page 4
Warranty	page 4
Important Information	page 5
Installation	page 5
Before Connection to the Power Supply	page 7
Water Connection	page 7
Electrical Connection	page 7
Overflow & Drainage	page 8
Other Safety Considerations	page 8
Product Specification	page 9
Parts Diagram	page 10

2.0 User Guide

Controls	page 11
Operating the appliance	page 11
Connections & Overflow	page 12
After Use	page 12

3.0 Maintenance & Spare Parts

Cleaning Instructions	page 13
Descaling	page 14
Installation Diagram	page 15
Spareslist	page 18

4.0 FAQ's & Contact

FAQ's	page 16
Notes & Comments	page 17
Contact Information	page 17

1.0 - About your Product

My Product

Please complete the form below:

We strongly recommend that you spend some time to fill in the information below and keep it in a safe place. This will save you time if you need to contact our After Sales team.

IMPORTANT: *The serial number can be found on the bottom of your appliance.*

Model Number:

--	--	--	--	--

Product Code:

--	--	--	--	--	--	--	--	--

Serial Number:

--	--	--	--	--	--	--	--	--	--	--	--	--	--	--	--	--	--

Date of Purchase:

		/			/				
--	--	---	--	--	---	--	--	--	--

Purchased from:

Please take some time to fill in the information above and keep it in a safe place along with your proof of purchase. This will save you time if you need to contact our After Sales team.

Introduction

Thank you for purchasing this Auto fill Wall Mount Water Boiler.

To ensure you obtain full benefits from your new appliance:

- Please read this instruction booklet carefully, and follow all instructions.
- If you are unsure of any aspect of the installation, use or performance of your appliance, please contact our After Sales team on 0344 879 3588

Warranty

Your water boiler comes with a 2 year parts and 2 year labour warranty from the date of purchase.

In the unlikely event of breakdown, please contact us on 0344 879 3588

Your warranty is given subject to the appliance being used in accordance with the instructions supplied, and on the supply voltage marked on the rating label. It is also subject to fair wear and tear conditions. It does not cover consequential damage arising out of any failure acceptable under warranty, nor does it cover damage resulting from misuse, accident or unauthorised alterations to the appliance.

Remember: You will need to quote the serial number of this unit, which can be found on the rating label located on the underside of the appliance, as well as providing proof of purchase.

The products are intended for commercial use as detailed in these instructions. The Company has a policy of continuous improvement in product quality and design. The Company therefore reserves the right to change the specification at any time.

The warranty does not cover damage or defects arising from poor maintenance - including build up of limescale

WARNING: FAILURE TO CLEAN & DESCALE YOUR WATER BOILER ON A REGULAR BASIS MAY INVALIDATE YOUR WARRANTY.

Important Information

The use of an electrical appliance requires the following common sense safety rules. Primarily there is a danger of personal injury and secondly damage to the appliance and property.

These are indicated in the instructions by the following two conventions:

WARNING: Danger of personal injury.

Important: Damage to the appliance.

Our products are intended for commercial use as detailed in these instructions. We have a policy of continuous improvement in product quality and design. The Company, therefore, reserves the right to change the specification of its models at any time.

WARNING: The installation of the unit must be performed by a competent person, taking into consideration:-

- Health and Safety at Works Act
- IEE Regulations
- BS Codes of Practice
- Local and National Building Regulations
- Local and National Water Regulations

WARNING: This appliance must only be used for heating water.

Installation

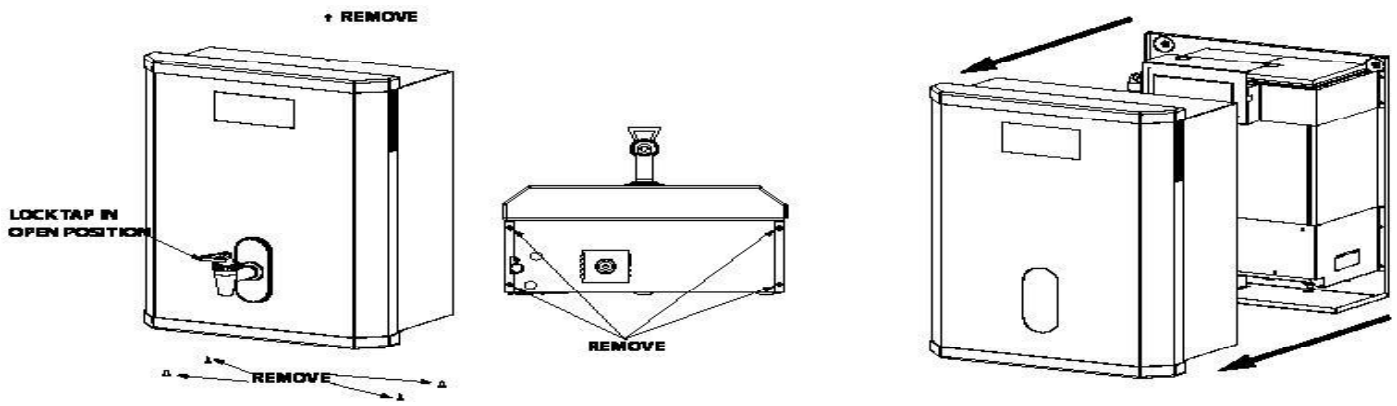
It is essential that this appliance is installed correctly. Installation should comply with all local electrical, and health and safety requirements.

The unit must be installed on a solid concrete / brick wall or other suitably robust surface with appropriate fittings by a qualified fitter. The Company does not accept any responsibility for the safety of any unit not installed this way.

Use the template (see page 15), to mark the position of the 3 mounting holes. Drill the wall and insert suitable wall plugs.

Remove the outer casing following the instructions as detailed and secure the boiler to the wall using 5mm (10g) screws.

- 1) Lock tap in open position
- 2) Remove 5 fixing screws from outer case (1 top and 4 bottom as shown in diagram)
- 3) Pull entire case forward
- 4) Fix appliance to wall
- 5) Re-assemble product by reversing steps 1-3



Location:

- Ensure the appliance is on vertical surface and the base of the appliance is horizontal.
- Consideration should be given for serving requirements.
- It is recommended that the unit is installed over a sink or draining area.
- Ensure that safe operational access to the appliance is unrestricted.
- Do not site the appliance directly beneath wall cupboards, other wall mounted appliances and low ceilings that are susceptible to damage from water vapour.
- Where the appliance is to be wall mounted, it is recommended that the safe working height from the floor to the tap is approximately 1400mm.
- Do not use your water boiler outside.
- All water boilers should be installed 100mm from any adjacent surfaces.
- Do not place appliance on or near hot surfaces.
- Do not allow your appliance to freeze. If this happens, do not operate the appliance and contact the manufacturer.
- Appliances to be operated in ambient temperature 5°C – 30°C.

Important: This appliance is only to be installed in locations where it is overseen by and where cleaning and maintenance is restricted to trained personnel.

Important: Access to the service area is restricted to persons having knowledge and practical experience, in particular as far as safety and hygiene is concerned.

Supply Cord:

- Do not continue to use the water boiler if a fault is indicated.
- Do not use the boiler if it has been damaged in any way.
- Do not use accessories or attachments which we have not recommended as they can cause hazards.
- Always switch off, empty and disconnect the auto fill water boiler before moving the unit.

WARNING: To avoid being scalded when the water boiler is in operation or has been switched off, keep hands away from any steam. Be particularly careful not to touch any hot surfaces, especially when descaling the product.

Product Safety:

- The water boiler is only to be installed in locations where it is overseen and where maintenance is restricted to trained personnel.
- Always turn the appliance off after use, and allow it to cool down. Once it has cooled down, unplug before adjusting, moving or cleaning.

WARNING: Metal surfaces may become very hot whilst in operation. Use caution when touching these surfaces.

Before Connection to the Power Supply

- Remove all packaging and plastic coating from the appliance.
- Check the unit has not been damaged in any way during transportation. If any damage is found, it **MUST** be reported to our After Sales department **immediately** by calling 0344 879 3588.
- Remove any protective coating from the outer panels.
- Check the available power supply corresponds to that shown on the rating label of the appliance.

Water Connection

- Connection to the cold water supply and the appliance is made via the hose supplied.
- In hard water areas, it is advisable to fit a filtration unit to limit scale deposits.

Electrical Connection

- All electrical work must comply with all relevant wiring regulations and carried out by a qualified electrician.
- 3kW models require connection to a 13 Amp double pole isolating switch.
- Isolation switches for the appliance must not be obstructed and accessible.
- To protect against fire, electric shock and personal injury, do not immerse cord, or water boiler in water or any other liquid.

WARNING: THIS APPLIANCE MUST BE EARTHED

Electrical Requirements:

Check that the voltage on the rating plate of your appliance corresponds with your electricity supply which must be A.C. (Alternating Current).

Overflow & Drainage

- As an option the boiler overflow outlet may be connected to a drainage system.

Note: There may be some steam emissions from the vent at the base of the appliance during the initial fill stages but the steam emissions will lessen as the volume of water increases in the tank.

WARNING: The flexible hose connected from the overflow also acts as a vent for the appliance. Under no circumstances should this flexible hose become blocked or restricted in any way.

Other Safety Considerations

- Isolate the appliance from the mains supply when cleaning or not in use.
- Keep the exterior surfaces of the boiler clean and dry at all times.
- Do not touch hot surfaces. Always use handles or knobs.
- Do not immerse the appliance in water or other liquid and always ensure the electrical connections are kept dry.
- Do not operate any appliance with a damaged cord or plug or after the appliance malfunctions or has been damaged in any manner. Ring the helpline number for advice on examination and repair.
- The use of non-genuine attachments or tools may cause fire, electric shock or injury and will invalidate warranty.
- Do not use abrasive cleaners on the outside of the appliance, as they may scratch the surface. Only clean with a soft damp cloth.
- Do not use the appliance for anything other than its intended purpose.
- Scale formation within hot water appliances is problematic and more so in hard water areas. Damage to the appliance caused by excessive scale build up, may invalidate the warranty - see notes on de-scaling.
- Use only the supplied parts with the appliance. Introducing foreign components not approved by the Manufacturer may cause tainting of the water and may also invalidate your warranty.
- Do not place foreign objects in the tank of the appliance.

Important: Do not use a water jet to clean this appliance.

Important: Do not use this appliance in an area a water jet can be used.

- Maintenance other than cleaning and descaling should be carried out by the manufacturer while this product is within guarantee.(Contact our service helpline on 0344 879 3588).
- Warranty is only valid in the UK.

WARNING: This appliance is not intended for use by persons (including children) with reduced physical, sensory or mental capabilities, or lack of experience and knowledge, unless they have been given supervision or instruction concerning use of the application by a person responsible for their safety.

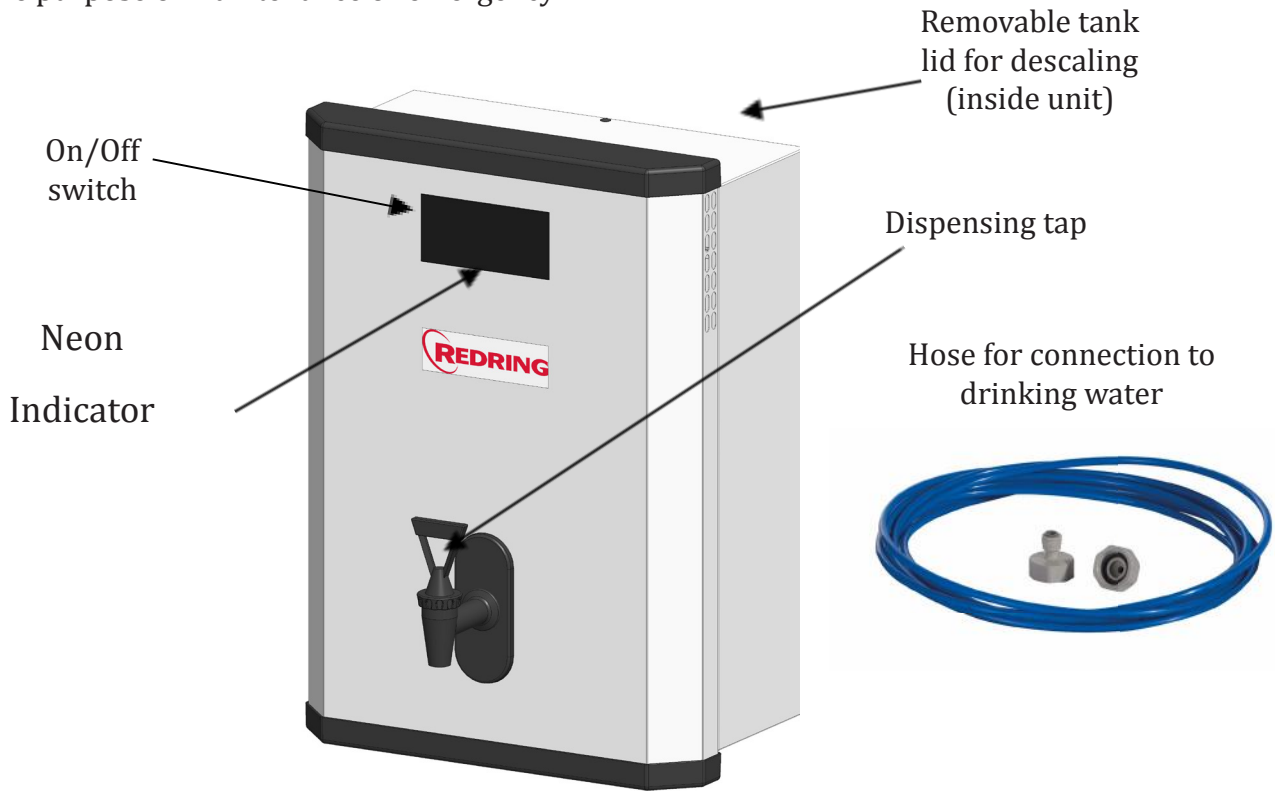
WARNING: Turn off the power supply cleaning or before replacing any parts.

Product Specification

Model	3L WM	5L WM	7.5L WM
Height (mm)	347	497	
Width (mm)	344		
Depth (mm)	279		
Capacity (Litres)	3	5	7.5
Weight (Kg) empty	4.8	6.2	6.2
Weight (Kg) full	7.8	11.2	13.7
Ambient Temp	5°C – 30°C		
Water Inlet Pressure	0.1 – 0.8(Mpa)		
Voltage	240V (50/60Hz)		
Power Rating	3kW		

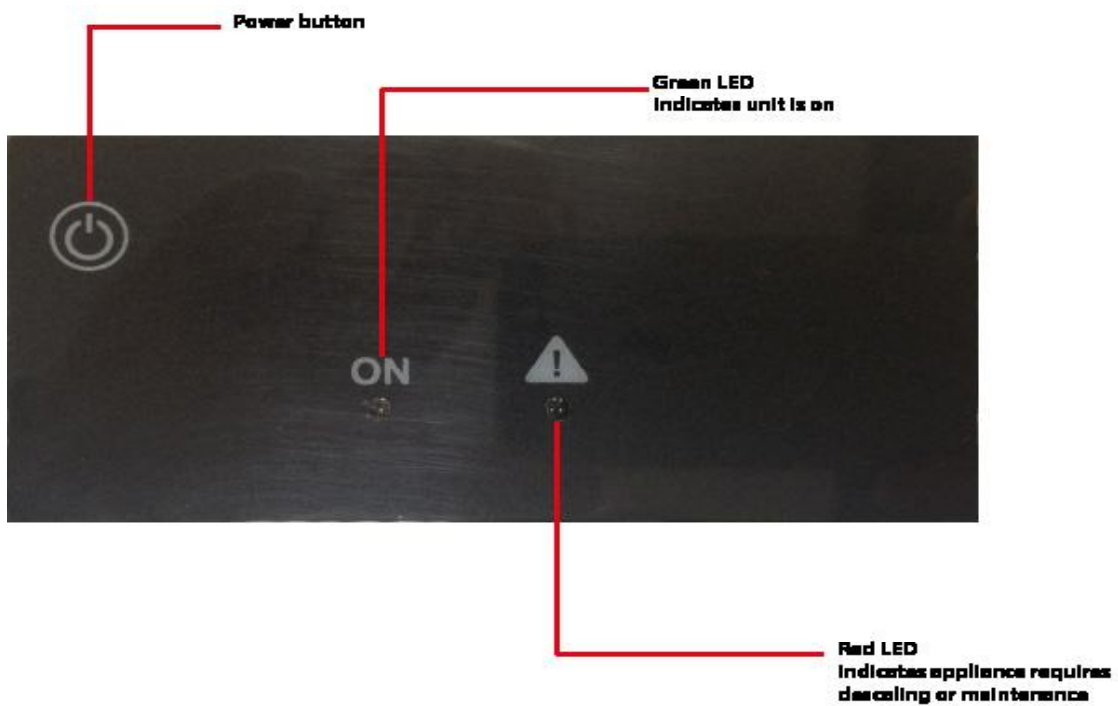
Parts Diagram

Our automatic fill water boilers are designed for continuous operation and should only be switched off for the purpose of maintenance or emergency.



Important: Genuine replacement parts must be fitted by a qualified service engineer. If generic non-Genuine parts are fitted, you may stop your appliance from operating safely and invalidate the warranty.

Operating the Appliance



Green – Appliance is on

Red – Appliance requires descaling or maintenance

Power button – Turn appliance on/off

Connections & Overflow:

Connection to a water supply:

Remove the outer casing (see installation). Push Blue pipe into the grey fitting.

**Push Blue pipe
into this fitting**



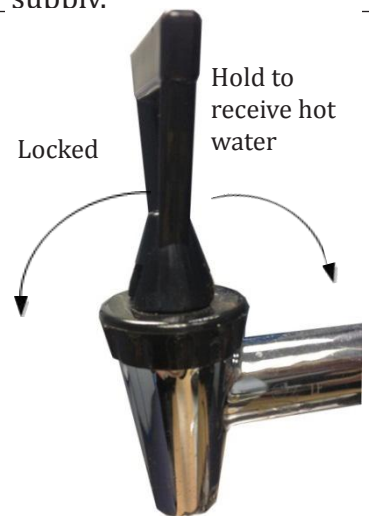
Connection to mains water supply:

The other end of the blue pipe can be fitted with the same type of grey fitting, which is connected to your main water supply.

To start the boiler, plug it in and turn on the mains power then hold the Power button until the product activates. Ensure boiler is connected to the mains water supply.

Tap function:

When tilting the tap towards you, the tap holds into a locked position and you will receive water from the tap until the tap is moved back into its original position. When tilting the tap the opposite way, the water will flow out the same as in the lock position but the user will have to hold the tap to receive any water. This will not put the tap in the locked position.



Cleaning Instructions

We recommend cleaning your water boiler on a regular basis. Failure to do this may result in the appliance not operating to its full potential and could invalidate your warranty.

CLEANING WARNING: Isolate from the electrical supply before cleaning and allow water boiler to cool.

Important: Do not immerse the water boiler in water or any other liquids and take care to keep water away from the mains lead and connections.

THERE ARE 2 WAYS WHICH YOU WILL NEED TO CLEAN YOUR AUTO FILL WATER BOILER:

EXTERNALLY; TO DO THIS, FOLLOW THE EXTERNAL CLEANING GUIDELINES.

INTERNALLY; TO DO THIS, FOLLOW THE DESCALING PROCEDURE.

IMPORTANT: DO NOT USE ANY ABRASIVE CLEANING FLUIDS OR MATERIALS.

EXTERNAL CLEANING GUIDELINES:

TO CLEAN, WIPE OUTSIDE OF YOUR WATER BOILER WITH A DAMP CLOTH. IT IS RECOMMENDED THAT THIS IS DONE DAILY. STUBBORN STAINS MAY BE REMOVED USING A GOOD STAINLESS STEEL CLEANER OR NON-ABRASIVE CLEANING.

FAILURE TO CLEAN ON A REGULAR BASIS WILL INVALIDATE YOUR WARRANTY

This appliance shall be operated in ambient temperatures between 5-30°C.

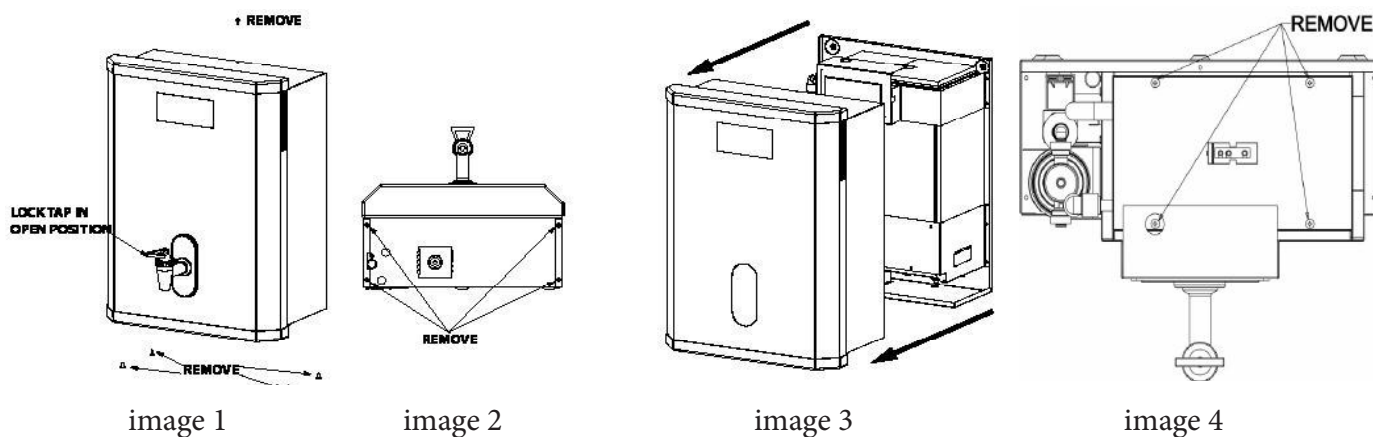
Do not allow your appliance to freeze. If this happens, do not operate the appliance and contact the manufacturer.

Descaling

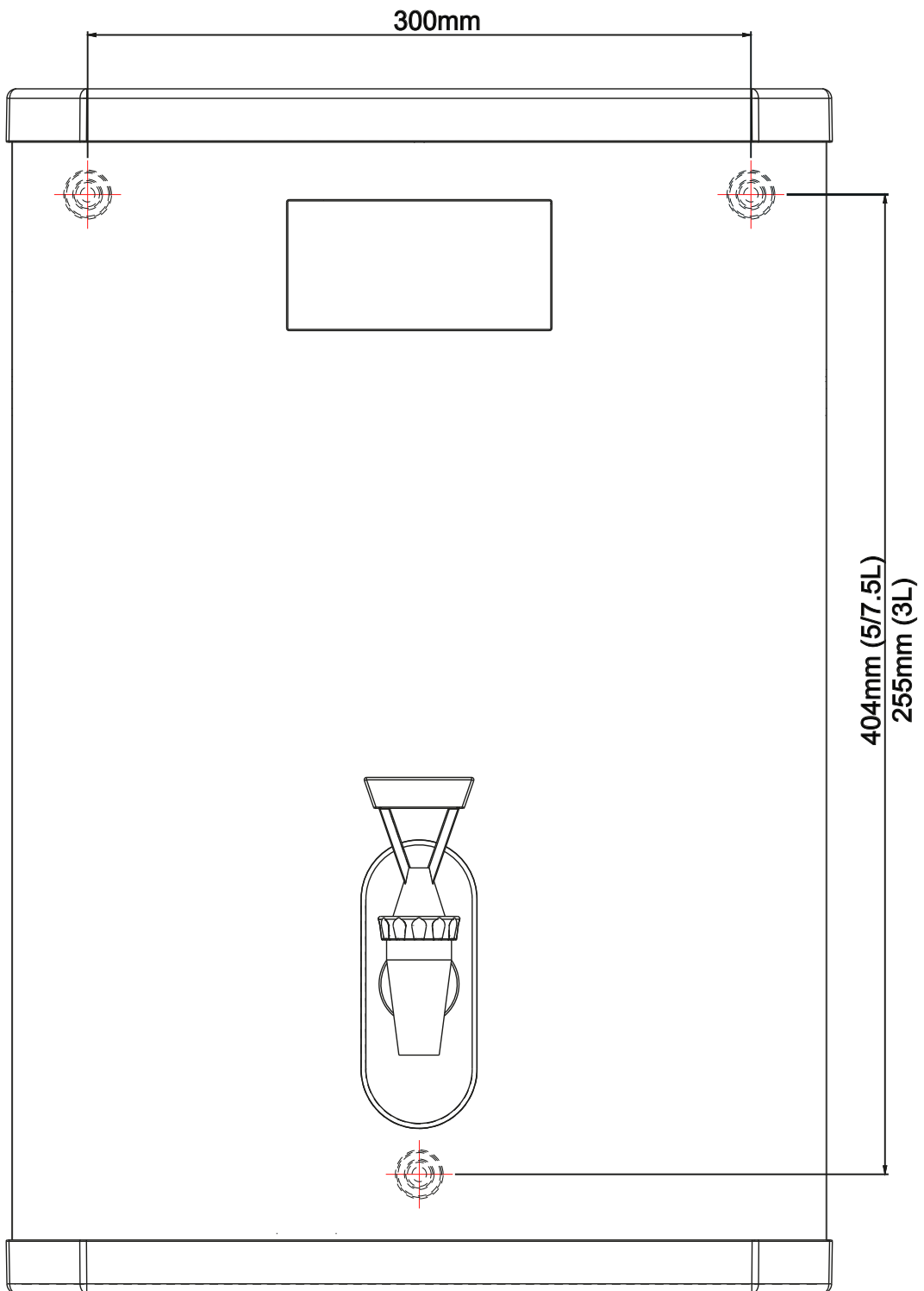
The descaling procedure must be performed by trained personnel as it requires the removal of panels from the boiler and access to live electrical components. Always use a descaling agent suitable for stainless steel.

1. Isolate the boiler from electrical supply.
2. Allow the water to cool approximately 60°C
3. Drain the boiler down through the dispensing tap
4. Lock the dispensing tap in the open position and remove the outer casing by removing 1 screw from the top of the appliance and 4 screws from the base of the appliance (shown in image 1, 2) and pull the entire outer case assembly forward (image 3). This will give access to the water tank.
5. Remove the insulation on top of the tank, remove 4 screws (image 4) and remove the tank lid.
6. Add descaling agent in accordance with manufacturers instructions.
7. Re-fit the tank lid/insulation and outer casing assembly.
8. Turn on the electricity and allow the boiler to operate normally for approximately 45 minutes.
9. Isolate the boiler and allow to cool down.
10. Drain the boiler down again through the dispensing tap
11. Remove the tank lid again, to inspect the tank and level detectors for scale deposits.
12. Drain the tank completely using the service valve and a suitable vessel
13. When empty, ensure the valve is closed.
14. Re-fit tank lid, ensuring the gasket is sealing the top of the tank correctly.
15. Re-fit insulation
16. Re-fit outer casing assembly and turn on the boiler

In hard water areas where a large build-up of scale has formed, you may need to physically scrape from the tank. If this is required, ensure care is taken and not to damage the level sense probes.



Installation Dimensions



FAQ's

1. Are there any restrictions as to where I should locate my water boiler?

- a. Yes, your appliance should be positioned on a flat, level surface that is capable of taking the weight of the appliance when full of water. Consideration must also be given to serving requirements and safe operational access to the appliance must also be ensured. For a detailed overview of installation requirement, please refer to pages 5, 6 and 7 of this instruction book.

2. There is no water coming from the tap?

- a. Check that the appliance is connected to mains power/water and that there is no blockage/kink in the supply hose.

3. My screen is not illuminating?

- a. Check the appliance is connected to mains power

4. The water from the tap is cold?

- a. Check appliance is connected to mains power.

5. The water in my appliance has a strange taste?

- a. All new appliances must be heated and drained to sanitise.

6. What Warranty does my water boiler have?

- a. Your appliance comes with a 2 year parts and 2 year labour warranty. Please see the 'Warranty' section on page 4 for details.

7. Can I purchase any replacement parts?

- a. Yes, we have a number of replacement parts available. If you require any spare parts **(See lists on pages 18-23)** Please do not hesitate to contact our Spares department on 0344 879 3588 and they will be happy to assist.

Notes & Comments

.....
.....
.....
.....
.....
.....
.....
.....
.....
.....
.....
.....
.....
.....
.....
.....
.....
.....
.....
.....
.....

Contact us / email us through:
Web : www.redring.co.uk

Telephone:
General : 0344 879 3588

Post:

Glen Dimplex Heating & Ventilation
Millbrook House
Grange Drive
Hedge End
Southampton
SO30 2DF

Spare Parts Lists

3.0l white 22672801					
No.	Spare No.	Key	Part No.	Description	Qty
1	95719683	142	563259003	CASE outer WM 3L	1
2	95719787	599	703257505	PANEL front WM	1
3	95719667	952	083246600	CASE lid front	2
4	95719654	701	082569400	PLUG hole blanking 14.7mm	2
5	95719661	275	083212000	ELBOW 3/8-1/4 JG P1211208S	1
6	95719659	286	083211700	ELEMENT 3Kw submersible	1
7	95719676	374	083336000	GASKET level sensor	1
8	95719665	509	083213501	INSULATION lid WM	1
9	95719677	551	503257900	LID tank WM	1
10	95719652	556	11294	Gas Catering Tap (Locknut)	1
11	95719664	5770	083213100	SENSOR eyelet NTC	1
12	95719674	637	083317400	PIPE steam stat	1
13	95719668	730	083256000	SEAL tank WM	1
14	95719670	739	083256204	SENSOR level WM 3L	1
15	95719657	786	083211301	VALVE solenoid 3/4"m-m rest	1
16	95719666	803	083213900	SPRING fixing	1
17	95719681	895	533259701	TANK assy weld AF WM 3L	1
18	95719653	911	62695	135 Deg (10amp) DISC STAT	1
19	95719658	974	083211500	VALVE isolation 15mm BES10406	1
20	95719651	977	9408	HARD RED FIBRE WASHER	1
21	95719673	977	083256400	WASHER fibre dia 12 ID	2
22	95719672	196	083256304	CONTROLLER 3KW STD (90250070)	1
23	95719656	637	083210901	PIPE tube tap WM	1
24	95719663	894	083212700	TAP tomlinson 1/2" MSBRH	1
25	95719655	037	083210300	SURROUND tap	1
26	95719675	436	083321000	HARNESS 3KW AF WM	1
27	95719660	003	083211800	APAPTOR 3/4-1/4 JG C1320816S	3
28	95719662	637	083212300	TUBE 1/4LLDPE PE-08-BI-0500F-B	2M

3.0l stainless 22672805					
No.	Spare No.	Key	Part No.	Description	Qty
1	95719679	142	503259001	CASE outer WM 3L	1
2	95719685	599	703257503	PANEL front WM	1
3	95719667	952	083246600	CASE lid front	2
4	95719654	701	082569400	PLUG hole blanking 14.7mm	2
5	95719661	275	083212000	ELBOW 3/8-1/4 JG P1211208S	1
6	95719659	286	083211700	ELEMENT 3Kw submersible	1
7	95719676	374	083336000	GASKET level sensor	1
8	95719665	509	083213501	INSULATION lid WM	1
9	95719677	551	503257900	LID tank WM	1
10	95719652	556	11294	Gas Catering Tap (Locknut)	1
11	95719664	5770	083213100	SENSOR eyelet NTC	1
12	95719674	637	083317400	PIPE steam stat	1
13	95719668	730	083256000	SEAL tank WM	1
14	95719670	739	083256204	SENSOR level WM 3L	1
15	95719657	786	083211301	VALVE solenoid 3/4"m-m rest	1
16	95719666	803	083213900	SPRING fixing	1
17	95719681	895	533259701	TANK assy weld AF WM 3L	1
18	95719653	911	62695	135 Deg (10amp) DISC STAT	1
19	95719658	974	083211500	VALVE isolation 15mm BES10406	1
20	95719651	977	9408	HARD RED FIBRE WASHER	1
21	95719673	977	083256400	WASHER fibre dia 12 ID	2
22	95719672	196	083256304	CONTROLLER 3KW STD (90250070)	1
23	95719656	637	083210901	PIPE tube tap WM	1
24	95719663	894	083212700	TAP tomlinson 1/2" MSBRH	1
25	95719655	037	083210300	SURROUND tap	1
26	95719675	436	083321000	HARNESS 3KW AF WM	1
27	95719660	003	083211800	APAPTOR 3/4-1/4 JG C1320816S	3
28	95719662	637	083212300	TUBE 1/4LLDPE PE-08-BI-0500F-B	2M

5.0l white 22673801					
No.	Spare No.	Key	Part No.	Description	Qty
1	95719682	142	563259002	CASE outer WM Whi	1
2	95719686	599	703257504	PANEL front WM	1
3	95719667	952	083246600	CASE lid front	2
4	95719654	701	082569400	PLUG hole blanking 14.7mm	2
5	95719661	275	083212000	ELBOW 3/8-1/4 JG P1211208S	1
6	95719659	286	083211700	ELEMENT 3Kw submersible	1
7	95719676	374	083336000	GASKET level sensor	1
8	95719665	509	083213501	INSULATION lid WM	1
9	95719677	551	503257900	LID tank WM	1
10	95719652	556	11294	Gas Catering Tap (Locknut)	1
11	95719664	5770	083213100	SENSOR eyelet NTC	1
12	95719674	637	083317400	PIPE steam stat	1
13	95719668	730	083256000	SEAL tank WM	1
14	95719671	739	083256205	SENSOR level WM 5L	1
15	95719657	786	083211301	VALVE solenoid 3/4"m-m rest	1
16	95719666	803	083213900	SPRING fixing	1
17	95719680	895	533259700	TANK assy weld AF WM 5/7.5L	1
18	95719653	911	62695	135 Deg (10amp) DISC STAT	1
19	95719658	974	083211500	VALVE isolation 15mm BES10406	1
20	95719651	977	9408	HARD RED FIBRE WASHER	1
21	95719673	977	083256400	WASHER fibre dia 12 ID	2
22	95719672	196	083256304	CONTROLLER 3KW STD (90250070)	1
23	95719656	637	083210901	PIPE tube tap WM	1
24	95719663	894	083212700	TAP tomlinson 1/2" MSBRH	1
25	95719655	037	083210300	SURROUND tap	1
26	95719675	436	083321000	HARNESS 3KW AF WM	1
27	95719660	003	083211800	APAPTOR 3/4-1/4 JG C1320816S	3
28	95719662	637	083212300	TUBE 1/4LLDPE PE-08-BI-0500F-B	2M

5.0l stainless 22673805					
No.	Spare No.	Key	Part No.	Description	Qty
1	95719678	142	503259000	CASE outer WM	1
2	95719684	599	703257502	PANEL front WM	1
3	95719667	952	083246600	CASE lid front	2
4	95719654	701	082569400	PLUG hole blanking 14.7mm	2
5	95719661	275	083212000	ELBOW 3/8-1/4 JG P1211208S	1
6	95719659	286	083211700	ELEMENT 3Kw submersible	1
7	95719676	374	083336000	GASKET level sensor	1
8	95719665	509	083213501	INSULATION lid WM	1
9	95719677	551	503257900	LID tank WM	1
10	95719652	556	11294	Gas Catering Tap (Locknut)	1
11	95719664	5770	083213100	SENSOR eyelet NTC	1
12	95719674	637	083317400	PIPE steam stat	1
13	95719668	730	083256000	SEAL tank WM	1
14	95719671	739	083256205	SENSOR level WM 5L	1
15	95719657	786	083211301	VALVE solenoid 3/4"m-m rest	1
16	95719666	803	083213900	SPRING fixing	1
17	95719680	895	533259700	TANK assy weld AF WM 5/7.5L	1
18	95719653	911	62695	135 Deg (10amp) DISC STAT	1
19	95719658	974	083211500	VALVE isolation 15mm BES10406	1
20	95719651	977	9408	HARD RED FIBRE WASHER	1
21	95719673	977	083256400	WASHER fibre dia 12 ID	2
22	95719672	196	083256304	CONTROLLER 3KW STD (90250070)	1
23	95719656	637	083210901	PIPE tube tap WM	1
24	95719663	894	083212700	TAP tomlinson 1/2" MSBRH	1
25	95719655	037	083210300	SURROUND tap	1
26	95719675	436	083321000	HARNESS 3KW AF WM	1
27	95719660	003	083211800	APAPTOR 3/4-1/4 JG C1320816S	3
28	95719662	637	083212300	TUBE 1/4LLDPE PE-08-BI-0500F-B	2M

7.5l white 22674801					
No.	Spare No.	Key	Part No.	Description	Qty
1	95719682	142	563259002	CASE outer WM Whi	1
2	95719686	599	703257504	PANEL front WM	1
3	95719667	952	083246600	CASE lid front	2
4	95719654	701	082569400	PLUG hole blanking 14.7mm	2
5	95719661	275	083212000	ELBOW 3/8-1/4 JG P1211208S	1
6	95719659	286	083211700	ELEMENT 3Kw submersible	1
7	95719676	374	083336000	GASKET level sensor	1
8	95719665	509	083213501	INSULATION lid WM	1
9	95719677	551	503257900	LID tank WM	1
10	95719652	556	11294	Gas Catering Tap (Locknut)	1
11	95719664	5770	083213100	SENSOR eyelet NTC	1
12	95719674	637	083317400	PIPE steam stat	1
13	95719668	730	083256000	SEAL tank WM	1
14	95719669	739	083256203	SENSOR level WM 7.5L	1
15	95719657	786	083211301	VALVE solenoid 3/4"m-m rest	1
16	95719666	803	083213900	SPRING fixing	1
17	95719680	895	533259700	TANK assy weld AF WM 5/7.5L	1
18	95719653	911	62695	135 Deg (10amp) DISC STAT	1
19	95719658	974	083211500	VALVE isolation 15mm BES10406	1
20	95719651	977	9408	HARD RED FIBRE WASHER	1
21	95719673	977	083256400	WASHER fibre dia 12 ID	2
22	95719672	196	083256304	CONTROLLER 3KW STD (90250070)	1
23	95719656	637	083210901	PIPE tube tap WM	1
24	95719663	894	083212700	TAP tomlinson 1/2" MSBRH	1
25	95719655	037	083210300	SURROUND tap	1
26	95719675	436	083321000	HARNESS 3KW AF WM	1
27	95719660	003	083211800	APAPTOR 3/4-1/4 JG C1320816S	3
28	95719662	637	083212300	TUBE 1/4LLDPE PE-08-BI-0500F-B	2M

7.5l stainless 22674805					
No.	Spare No.	Key	Part No.	Description	Qty
1	95719678	142	503259000	CASE outer WM 3L	1
2	95719684	599	703257502	PANEL front WM	1
3	95719667	952	083246600	CASE lid front	2
4	95719654	701	082569400	PLUG hole blanking 14.7mm	2
5	95719661	275	083212000	ELBOW 3/8-1/4 JG P1211208S	1
6	95719659	286	083211700	ELEMENT 3Kw submersible	1
7	95719676	374	083336000	GASKET level sensor	1
8	95719665	509	083213501	INSULATION lid WM	1
9	95719677	551	503257900	LID tank WM	1
10	95719652	556	11294	Gas Catering Tap (Locknut)	1
11	95719664	5770	083213100	SENSOR eyelet NTC	1
12	95719674	637	083317400	PIPE steam stat	1
13	95719668	730	083256000	SEAL tank WM	1
14	95719669	739	083256203	SENSOR level WM 7.5L	1
15	95719657	786	083211301	VALVE solenoid 3/4"m-m rest	1
16	95719666	803	083213900	SPRING fixing	1
17	95719680	895	533259700	TANK assy weld AF WM 5/7.5L	1
18	95719653	911	62695	135 Deg (10amp) DISC STAT	1
19	95719658	974	083211500	VALVE isolation 15mm BES10406	1
20	95719651	977	9408	HARD RED FIBRE WASHER	1
21	95719673	977	083256400	WASHER fibre dia 12 ID	2
22	95719672	196	083256304	CONTROLLER 3KW STD (90250070)	1
23	95719656	637	083210901	PIPE tube tap WM	1
24	95719663	894	083212700	TAP tomlinson 1/2" MSBRH	1
25	95719655	037	083210300	SURROUND tap	1
26	95719675	436	083321000	HARNESS 3KW AF WM	1
27	95719660	003	083211800	APAPTOR 3/4-1/4 JG C1320816S	3
28	95719662	637	083212300	TUBE 1/4LLDPE PE-08-BI-0500F-B	2M

UK Only

What does a Redring warranty cover?

Redring products deliver reliable source for normal, household use in domestic settings. All Redring products are individually tested before leaving the factory. If you are a consumer and you experience a problem with your Redring product, which is found to be defective due to faulty materials or workmanship within the warranty period, this Redring warranty will cover repair or - at the discretion of Redring - replacement with a functionally equivalent Redring product.

The Redring warranty period is two calendar years from the date of purchase of your Redring product, or the date of delivery of the product, if later. The Redring warranty is conditional upon you providing the original purchase receipt as proof of purchase. Please therefore retain your receipt as proof of purchase.

If you do experience a problem with your Redring product please call the helpline on +44 [0]344 879 3588 or at the address below.

We will need details of your Redring product, and a description of the fault which has occurred. Once we receive your information and proof of purchase we will contact you to make necessary arrangements.

Customers outside UK - see international below.

If your Redring product is not covered by this Redring warranty there may be a charge to repair your product. However, we will contact you for agreement to any charges before any chargeable service call is carried out.

What is not covered by a Redring warranty?

The Redring warranty does not cover any of the following:

Any fault or damage to your Redring product due to faulty materials or workmanship occurring outside the two-year warranty period.

Any fault or damage occurring to any pre-owned Redring product or to any other equipment or property.

Accidental damage to your Redring product or damage to your Redring product from an external source (for example, transit, weather, electrical outages or power surges).

Fault or damage to your Redring product which is:

Not due to faulty materials or workmanship or which is due to circumstances outside Redring's control.

Caused by use of your Redring product for anything other than normal domestic household purposes in the country where it was purchased.

Caused by any misuse, abuse or negligent use of the Redring product, including but not limited to any failure to use it in accordance with the Operating Instructions supplied with the product.

Caused by any failure to assemble, install, clean and maintain your Redring product in accordance with the Operating Instructions supplied with the product unless this was carried out by Redring or its authorised dealers.

Caused by repairs or alterations to your Redring product not carried out by Redring service personnel or its authorised dealer(s).

Caused by the use of any consumables or spare parts for your Redring product which are not Redring specified.

Terms and Conditions

The Redring warranty is valid for Redring from the date of purchase of your Redring product from a recognised retailer in the country of purchase and use, or the date of delivery of the product if later, always provided the original receipt has been retained and is produced as proof of purchase.

You must provide to Redring or its authorised agents on request the original receipt as proof of purchase and - if required by Redring - proof of delivery. If you are unable to provide the documentation, you will be required to pay for any work required.

Any repair work under the Redring warranty will be carried out by Redring or its authorised dealer(s) and any parts that are replaced will become the property of Redring.

Any repairs performed under the Redring warranty will not extend the warranty period.

Any replacement of your Redring product by Redring during the warranty period will start the two-year warranty period afresh from the date of delivery of the replacement Redring product to you.

The Redring warranty does not entitle you to recovery of any indirect or consequential loss or damage including but not limited to loss or damage to any other property.

The Redring warranty is in addition to your statutory rights as a consumer and your statutory rights are not affected by this Redring warranty.

Contact Redring

If you have any questions about what the Redring warranty covers and does not cover or how to claim under the Redring warranty, please contact us using the information below.

Contact Details

Millbrook House, Grange Drive, Hedge End, Southampton, SO30 2DF

Telephone: +44 (0) 344 879 3588

Email: customer.services@glendimplex.com

<http://www.redring.co.uk>

International

Guarantee: Contact your local distributor or Redring direct for details.

Technical Advice and Service: Contact your local Redring distributor.

Redring: A brand of GDC Group Limited, trading as Glen Dimplex Heating & Ventilation

© Glen Dimplex. All rights reserved. Material contained in this publication may not be reproduced in whole or in part, without prior permission in writing of Glen Dimplex



For electrical products sold within the European Community. At the end of the electrical products useful life it should not be disposed of with household waste. Please recycle where facilities exist. Check with a Local Authority or retailer for recycling advice in your country. Batteries should be disposed of or recycled in accordance with WEEE Directive 2012/19/EU. Packaging should be recycled where possible.



FM02118 ISO 9001: 2000

