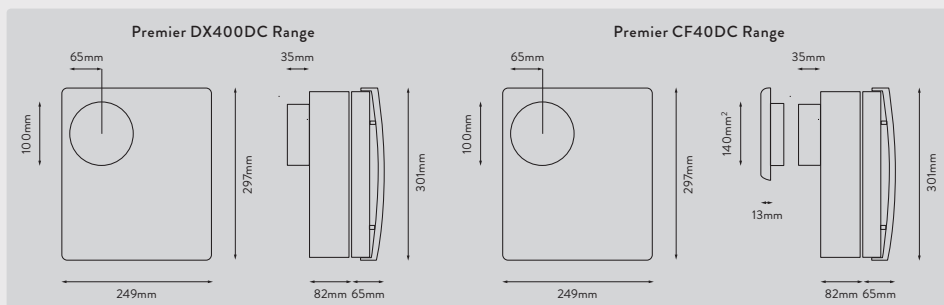


Premier DX400DC & CF40DC

Centrifugal extract and condensation control fans



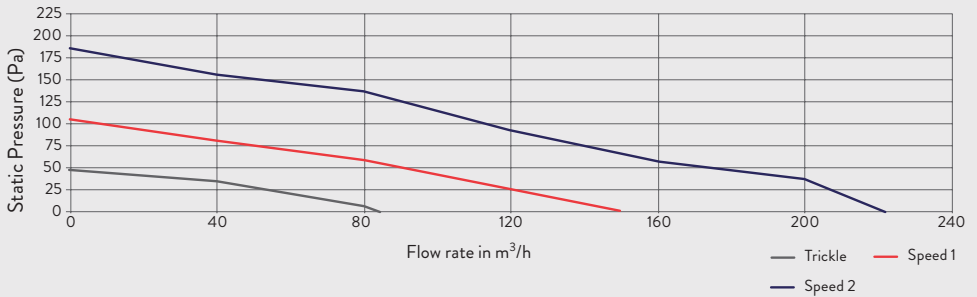
The DX400DC and CF40DC larger Premier pressure developing centrifugal fans are suitable for use in kitchens, utility rooms, larger bathrooms and toilets and individual offices. Suitable for surface or recess mounting using mounting accessories provided. Features external rotor motors with integral balanced impellers, sealed for life maintenance free bearings and safety thermal cut-out protection. An energy efficient DC motor keeps running costs and power consumption low.



Product Features	DX400DC	DX400TDC	DX400PCDC	CF40DC	CF40TDDC	CF40RSTDDC
Product Codes	93266AW	93267AW	93268AW	93269AW	93270AW	93271AW
Condensation Control				✓	✓	✓
Timer (adjustable 30s – 20m)		✓			✓	✓
Pullcord (manual override)			✓	✓	✓	
Humidistat (50 – 90%)				✓	✓	✓
Quick Visit Timer Delay (2mins)		✓			✓	
Room Size Selector				✓	✓	✓

Product Selector		DX400DC	DX400TDC	DX400PCDC	CF40DC	CF40TDDC	CF40RSTDDC
Product Codes		93266AW	93267AW	93268AW	93269AW	93270AW	93271AW
Speeds		2	3	3	5	5	5
Trickle Ventilation Facility			✓	✓	✓	✓	✓
Boost Ventilation Facility					✓	✓	✓
Max. Electrical Power Rating (W)		30	30	30	30	30	30
IP Rating		IPX5	IPX5	IPX5	IPX5	IPX5	IPX5
Weight (kg)		2.6	2.6	2.6	2.6	2.6	2.6
Extract Performance (m ³ /h)	boost	•	•	•	216	216	216
	speed 3	•	•	•	164	164	164
	speed 2	216	216	216	150	150	150
	speed 1	150	150	150	100	100	100
trickle	•	87	87	87	87	87	
Extract Performance (l/s)	boost	•	•	•	60	60	60
	speed 3	•	•	•	46	46	46
	speed 2	60	60	60	42	42	42
	speed 1	42	42	42	28	28	28
trickle	•	24	24	24	24	24	
Sound Pressure (dBA@3m)	boost	•	•	•	55	55	55
	speed 3	•	•	•	46	46	46
	speed 2	55	55	55	42	42	42
	speed 1	42	42	42	33	33	33
trickle	•	27	27	27	27	27	

Performance for DX400DC



Performance for CF40DC

