

BAXI FIRES DIVISION

INSTALLER GUIDE

Model 939

OPEN DECORATIVE GAS FIRE

(GC No. 32-032-54)



We trust that this guide gives sufficient details to enable this appliance to be installed and maintained satisfactorily. However, if further information is required, our **Baxi Fires Division Technical Helpline** will be pleased to help.

Telephone **08706 061 065** (National call rates apply in the United Kingdom)

In the Republic of Ireland

Telephone **0044 8706 061 065**.

**THIS APPLIANCE IS FOR USE WITH
NATURAL GAS (G20).
WHEN CONVERTED USING
CONVERSION KIT NO. 0595211 THIS
APPLIANCE IS FOR USE WITH
PROPANE GAS (G31).
THIS APPLIANCE IS SUITABLE ONLY
FOR INSTALLATION IN THE UNITED
KINGDOM (GB) AND THE REPUBLIC
OF IRELAND (IE).**

BAXI ● VALOR ● WONDERFIRE

INSTALLER: Please leave this guide with the owner

INSTALLER GUIDE

© Baxi Heating U.K. Limited 2006.

All rights reserved. No part of this publication may be reproduced in any material form (including photocopying), stored in any medium by electronic means (including in any retrieval system or database) or transmitted, in any form or by any means, whether electronic, mechanical, recording or otherwise, without the prior written permission of the copyright owner.

Applications for the copyright owner's permission to reproduce any part of this publication should be made, giving details of the proposed use, to the following address:
The Company Secretary, Baxi Heating UK Limited, Pentagon House, Sir Frank Whittle Road, Derby, DE21 4XA.

Warning: Any person who does any unauthorised act in relation to a copyright work may be liable to criminal prosecution and civil claims for damages.

B A X I F I R E S D I V I S I O N

Baxi Fires Division, Erdington, Birmingham B24 9QP
www.firesandstoves.co.uk

Because our policy is one of constant development and improvement, details may vary slightly from those given in this publication

INSTALLER GUIDE

Safety First.

Baxi Fires Division fires are CE Approved and designed to meet the appropriate British Standards and Safety Marks.



Quality and Excellence.

All Baxi Fires Division fires are manufactured to the highest standards of quality and excellence and are manufactured under a BS EN ISO 9001 quality system accepted by the British Standards Institute.



The Highest Standards

Baxi Fires Division is a member of the Society of British Gas Industries which works to ensure high standards of safety, quality and performance.



Careful Installation

Baxi Fires Division is a CORGI registered company. All our gas fires must be installed by a competent CORGI Registered Installer in accordance with our Installer Guide and should not be fitted directly on to a carpet or floor of combustible material.

INSTALLER GUIDE

CONTENTS

<u>Section</u>	<u>Page</u>
1. SAFETY	4
2. LIST OF ACCESSORIES	5
3. APPLIANCE DATA	6
4. GENERAL INSTALLATION REQUIREMENTS	7
5. UNPACKING	14
6. INSTALLATION OF APPLIANCE	15
7. BURNER AND SUPPLY PIPE INSTALLATION	17
8. FITTING THE FIREFRONT	19
9. FITTING THE CERAMIC FUEL EFFECT	20
10. FULL OPERATING CHECKS	21
11. SERVICING & PARTS REPLACEMENT	23
11.1 Checking the aeration setting of the burner.	23
11.2 To remove the complete burner unit.	24
11.3 To remove the pilot unit.	24
11.4 To remove the gas valve.	24
11.5 To remove the piezo generator.	25
11.6 To grease the control tap.	25
11.7 To replace the burner.	25
11.8 To remove the main burner injector.	26

1. SAFETY

Installer

Before continuing any further with the installation of this appliance please read the following guide to manual handling:

- The lifting weight of this appliance (DGF burner) is 2 kg. One person should be sufficient to lift the fire. If for any reason this weight is considered too heavy then obtain assistance.
- When lifting always keep your back straight. Bend your legs and not your back.
- Avoid twisting at the waist. It is better to reposition your feet.
- Avoid upper body/top heavy bending. Do not lean forward or sideways whilst handling the fire.
- Always grip with the palm of the hand. Do not use the tips of fingers for support.
- Always keep the fire as close to the body as possible. This will minimise the cantilever action.
- Use gloves to provide additional grip.
- Always use assistance if required.

INSTALLER GUIDE

2. LIST OF ACCESSORIES

Valor and B&Q models

<u>Description</u>	<u>Part Number</u>
<u>All Models</u>	
LPG Conversion kit	0595211
<u>'Quattro' / 'Anthem', 'Majestic' and Models not supplied with a firefront</u>	
Replacement Chair brick	0552311
Replacement Chair brick Trims	
● Flat Brass effect	0552321
● Flat Satin Chrome effect	0552331
● Flat Black	0552341
<u>'Azure' Model</u>	
Replacement Chair brick	0552301

Wonderfire models

Wonderfire 'Gasflame 3 Convector box' and 16inch Wonderfire Models

Replacement Chair brick	0552311
Replacement Chair brick Trims	
● Flat Brass effect	0552321
● Flat Satin Chrome effect	0552331
● Flat Black	0552341
Aspire trims with firefronts	
● Satin Chrome effect	9820111
● Brass effect	9820112
● Black	9820113
● Copper effect	9820114
Bauhaus Firefront (16 inch Fret)	
● Polished Brass effect	9800121
● Satin Chrome effect	9800122
● Charcoal Black	9800123

INSTALLER GUIDE

Description

Part Number

Blenheim Firefront (16 inch Fret)

- Brass effect 9800040
- Antique (Black & Brass effect) 9800075
- Chrome effect 9800076
- Black Cast Iron with Brass Finials 9800039

Blenheim Firefront (18 inch Fret)

- Brass effect 9800082
- Antique (Black & Brass effect) 9800083
- Chrome effect 9800084
- Black Cast Iron with Brass Finials 9800081

3. APPLIANCE DATA

This product uses fuel effect pieces containing Refractory Ceramic Fibres (RCF), which are man-made vitreous silicate fibres. Excessive exposure to these materials may cause irritation to eyes, skin and respiratory tract. Consequently, it is important to take care when handling these articles to ensure that the release of dust is kept to a minimum. To ensure that the release of fibres from these RCF articles is kept to a minimum, during installation and servicing we recommend that you use a HEPA filtered vacuum to remove any dust and soot accumulated in and around the fire before and after working on the fire. When replacing these articles we recommend that the replaced items are not broken up, but are sealed within a heavy duty polythene bag, clearly labelled as RCF waste. RCF waste is classed as a stable, non-reactive hazardous waste and may be disposed at a landfill licensed to accept such waste. Protective clothing is not required when handling these articles, but we recommend you follow the normal hygiene rules of not smoking, eating or drinking in the work area and always wash your hands before eating or drinking. This appliance does not contain any component manufactured from asbestos or asbestos related products.

This appliance does not contain any components manufactured from asbestos or asbestos related products.

There are no specific thermal efficiency requirements appropriate to this type of appliance as they are intended for decorative purposes only. For the purposes of SAP the efficiency is classed as 20% for use in the Space Heating Requirements calculation, see Table 4a of SAP.

INSTALLER GUIDE

Gas	Natural (G20)	Propane (G31) *
Inlet Pressure	20mbar	37mbar
Input - Max. (Gross)	6.85kW (23,400 Btu/h)	6.7kW (22,860 Btu/h)
Input - Min. (Gross)	2.3kW (7,850 Btu/h)	4.0kW (13,650 Btu/h)
Burner Test Pressure (Cold)	20.0 ± 1.0mbar (8.0 ± 0.4in w.g.)	37.0 ± 1.0 mbar (14.85 ± 0.4in w.g.)
Gas Connection	8mm pipe	8mm pipe
Burner Injector	Stereomatic Cat 82 - 074	Stereomatic Size 132
Pilot & Atmosphere Sensing Device	Copreci Ref. O.D.S 21500/166	Copreci Ref. O.D.S 21500/166 Fitted with RBM 180 -02 injector
Ignition	Integral Piezo Spark	Integral Piezo Spark
Aeration	See section 11.1	Non-adjustable

*When converted using kit 0595211

4. GENERAL INSTALLATION REQUIREMENTS

4.1 The installation must be in accordance with these instructions.

For the user's protection, in the United Kingdom it is the law that all gas appliances are installed by competent persons in accordance with the current edition of the Gas Safety (Installation and Use) Regulations. Failure to install the appliance correctly could lead to prosecution. The Council for the Registration of Gas Installers (CORGI) requires its members to work to recognised standards.

In the United Kingdom the installation must also be in accordance with:

All the relevant parts of local regulations.

All relevant codes of practice.

The relevant parts of the current editions of the following British Standards:-

BS 1251

BS EN 1856 Part 1 which replaces BS 4543 Part 2

BS 5440 Part 1

BS 5440 Part 2

BS 5871 Part 3

BS 6461 Part 1

BS 6891

BS 8303

INSTALLER GUIDE

In England and Wales, the current edition of the Building Regulations issued by the Department of the Environment and the Welsh Office. In Scotland the current edition of the Building Standards (Scotland) Regulations issued by the Scottish Executive. In Northern Ireland, the current edition of the Building Regulations (Northern Ireland) issued by the Department of the Environment for Northern Ireland. In the Republic of Ireland the installation must also conform with the relevant parts of:

The current editions of:-

IS 813 “Domestic Gas Installations”

ICP3

IS327

All relevant national and local rules in force.

Where no specific instructions are given, reference should be made to the relevant British Standard Code of Practice.

4.2 In the United Kingdom, as supplied the appliance can be installed in the following situations: -

For installations without the Spanish basket casting.

- To a fireplace complete with surround and hearth as shown in figure 1 and complying with BS1251.

For installations with the Spanish basket casting.

- To a fireplace complete with surround and hearth as shown in figure 2 and complying with BS1251.

For fireplace openings having dimensions different to those shown in figure 2 refer to Table 1 and BS 5871-Part 3 for flue sizes.

Into a fireplace that has a fireback of nominal size 400mm and conforming to BS1251.

Into a Replacement Chair Brick as below: -

- **‘Quattro’, ‘Anthem’, ‘Majestic’ and models not supplied with a firefront**

Into a Baxi Fires Division Replacement Chairbrick. Part number 0552311

- **‘Azure’ model**

Into a B&Q Replacement Chairbrick. Part number 0552301

Suitable flues and minimum flue sizes are as follows: -

225mm x 225mm conventional brick flue.

175mm diameter lined brick or stone flue.

200mm diameter factory made insulated flue manufactured to BS4543.

175mm diameter flue pipe. See BS6461 Part 1 for suitable materials.

The minimum effective height of the flue must be 3m.

INSTALLER GUIDE

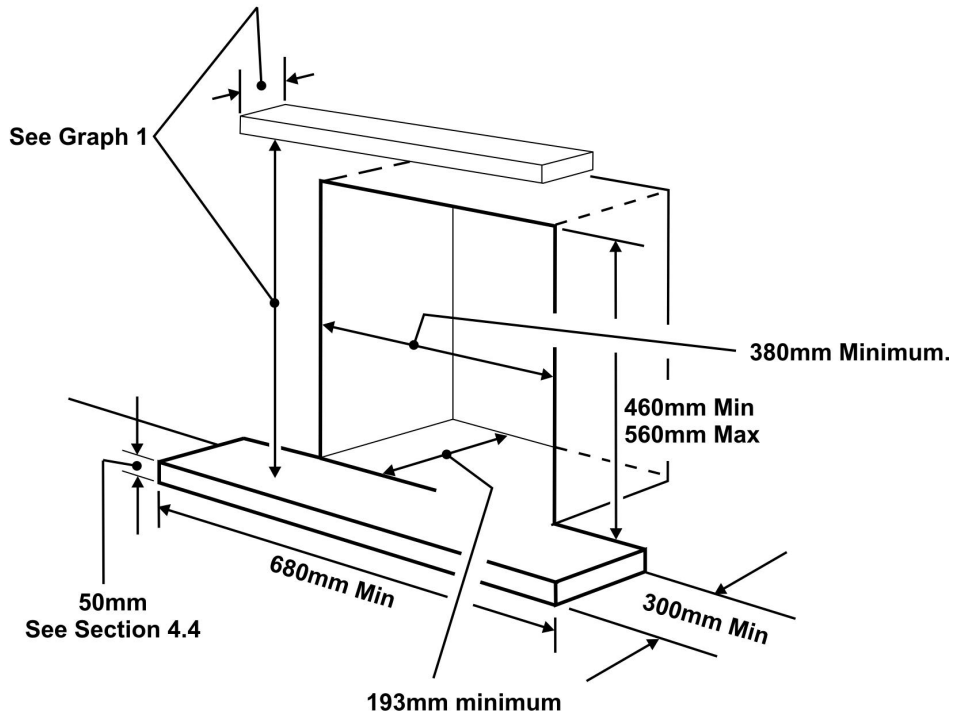
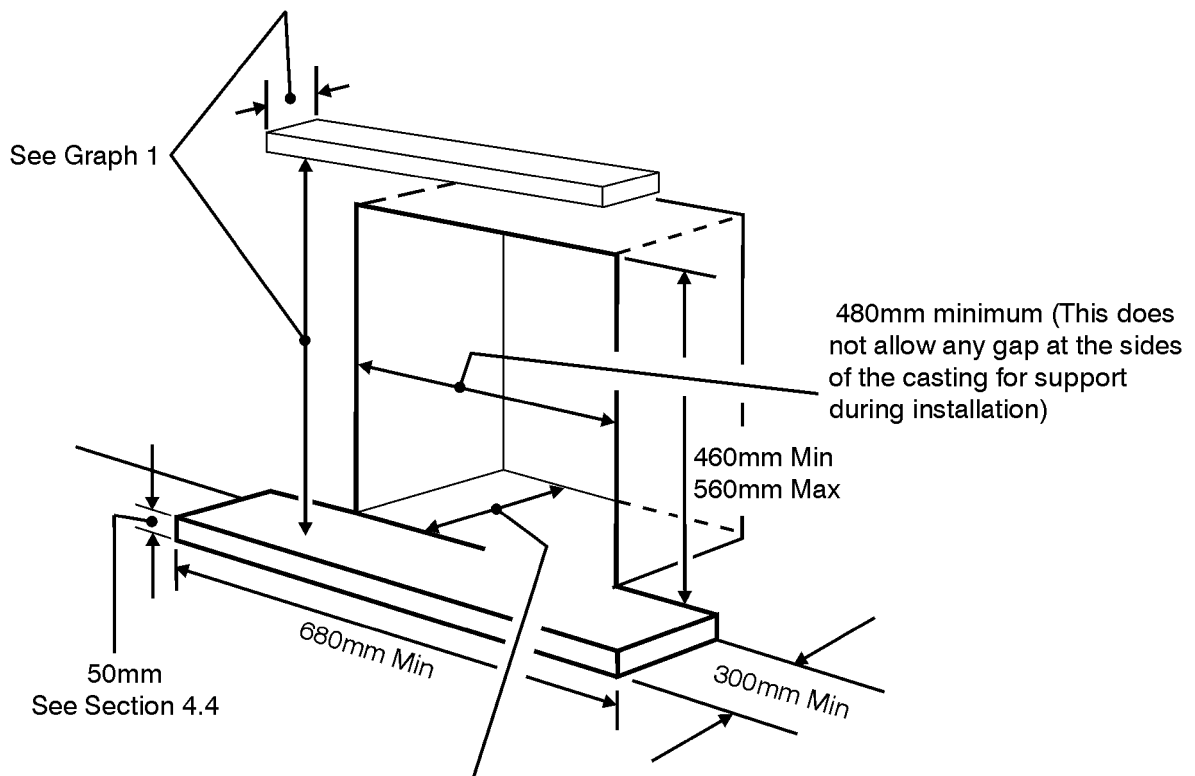


Figure 1. Hearth and fireplace opening (See section 4.4)



340mm minimum with casting completely behind the front of the fireplace opening.
270mm minimum with incandescent area level with the front of the fireplace opening
(In both cases the burner must be positioned so that the burner tray trim is touching the lower inside face of the casting).

Figure 2. Hearth and fireplace opening for installations using the **SPANISH BASKET CASTING ONLY** (See section 4.4)

INSTALLER GUIDE

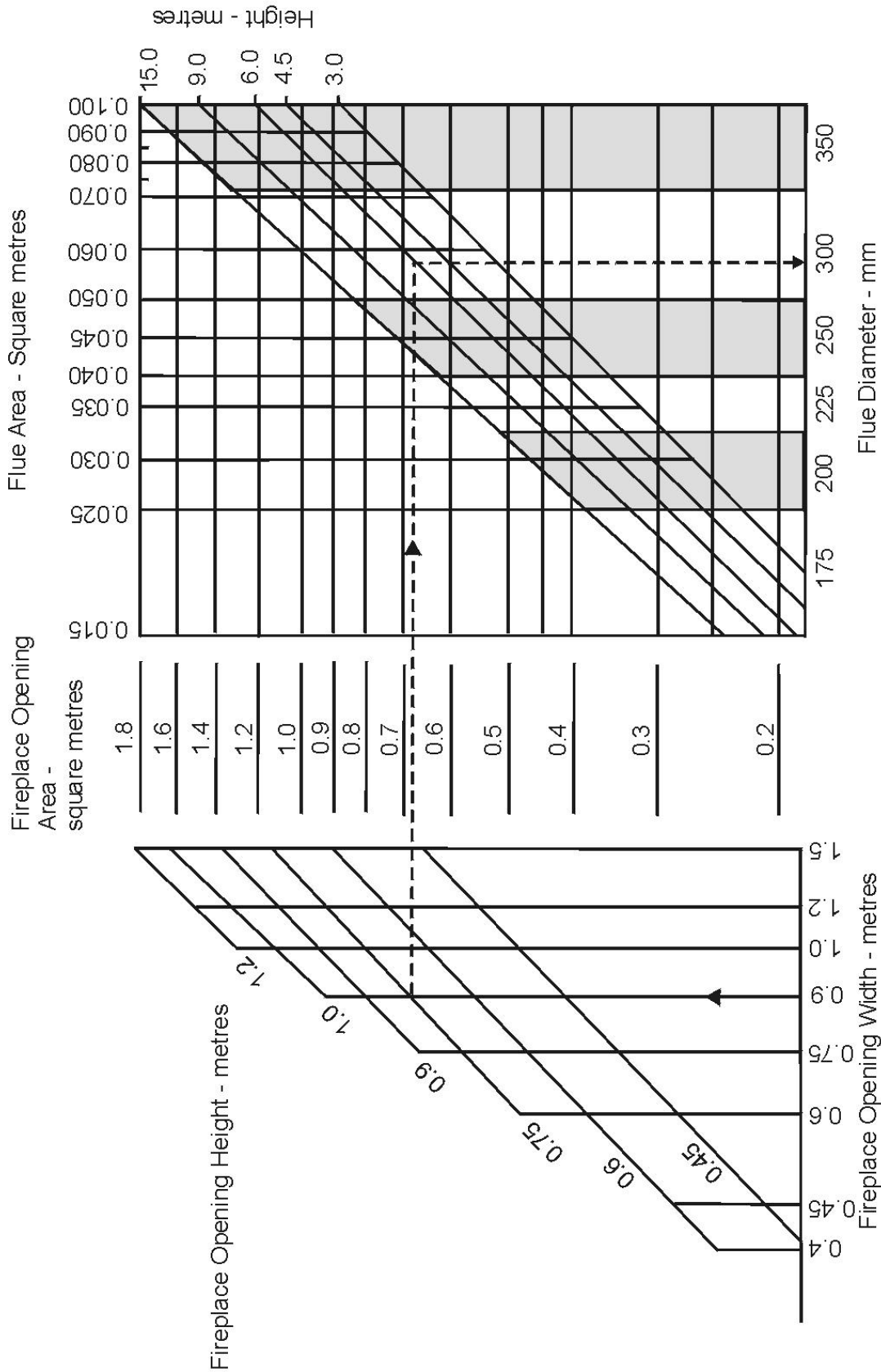


Table 1. Flue sizing table.

EXAMPLE

Fireplace opening is 0.9m wide x 0.75m high = 0.68m². Then for flue height 6.0m, use a 300mm diameter flue.

NOTE 1 Where choice is possible, the smallest diameter flue should be used. Large diameter flues, particularly of short length, will be conducive to downdraught and therefore spillage.

NOTE 2 In the case of fireplace openings served by the above chart, a fireplace opening of greater width than height will be less likely to spill than one of width and height, despite their having the same fireplace opening areas.

The flue must not be used for any other appliance or application.

INSTALLER GUIDE

Any chimney damper or restrictor should be removed. If removal is not possible, they must be secured in the open position.

If the appliance is intended to be installed to a chimney that was previously used for solid fuel, the flue must be swept clean prior to installation.

All flues should be inspected for soundness and freedom from blockages.

4.3 If the fireplace opening is an underfloor draught type, it must be sealed to stop any draughts.

4.4 The appliance must be mounted behind a non-combustible hearth (N.B. conglomerate marble hearths are considered as non-combustible). The appliance can be fitted to a minimum class “O” – 100°C surround. The hearth material must be at least 12mm thick. The periphery of the hearth (or fender) should be at least 50mm above floor level to discourage the placing of carpets or rugs over it (See figure 1 or 2). The surface of the hearth must be sufficiently flat to enable the bottom of the front surround and the bottom front cover to be aligned horizontally. Any excessive unevenness (uneven tiles, Cotswold stone, etc.) should be rectified.

4.4.1. 'Hole-in-the-wall' Installations

For installation **without** the **Spanish basket** casting.

- It is recommended that a hearth should be installed as in figure 1.

For installation **with** the **Spanish basket** casting.

- It is recommended that a hearth should be installed as in figure 2.

For installation **with** and **without** the **Spanish basket** casting.

- If a hearth is not fitted or if a reduced depth hearth is fitted, the fire must be installed so that the distance from the base of the fireplace opening in the wall to the finished floor level is at least 75mm. Where there is no floor covering or carpet and the floor is of a type that is likely to be covered in such a way in the future then the distance from the base of the fireplace opening in the wall to the finished floor level should be increased to at least 150mm.
- If the lower part of the fascia (the firefront) is free standing, the recommended reduced hearth depth is 100mm. This is necessary to support the firefront.
- To protect from the risk of burns and ignition of clothing a tactile separator shall be used. The hearth detailed in section 4.4 meets the requirements for a tactile separator. If this is not used then a 680mm long fender, kerb, horizontal bar, or other barrier, being fixed not less than 50mm above floor level and positioned 300mm in front of the fixing plane of the fire will meet the requirement.

The tactile separator can also take the form of a canopy, being fixed not more than 1000mm above floor level and positioned 300mm in front of and 150mm beyond the edge of any naked flame or incandescent part of the fire bed.

INSTALLER GUIDE

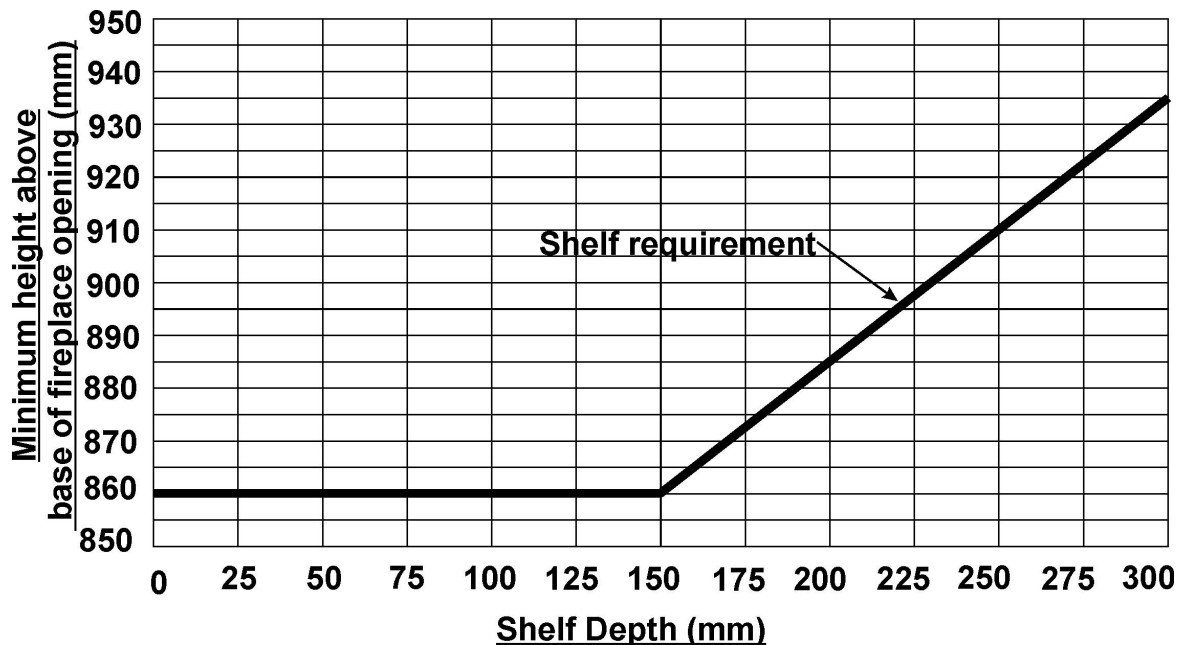
4.5 If the Fireplace opening is greater than the acceptable dimensions given in this guide, do not use the back of a fire surround or marble to reduce the opening. This may cause cracking of the surround back or marble

4.6 The appliance must not stand on combustible materials or carpets.

4.7 The minimum height from the base of the fireplace opening to the underside of any shelf made from wood or other combustible materials is as follows: -

- *For a shelf up to 150mm deep*
Minimum height = 860mm.
- *For a shelf deeper than 150mm*
860mm + 12.5mm for every 25mm depth over 150mm

(See Graph 1).



Graph 1. Combustible shelf clearances

4.8 Note that soft wall coverings (e.g. embossed vinyl, etc.) are easily affected by heat. They may scorch or become discoloured when close to a heating appliance. Please bear this in mind when installing.

4.9 This appliance must not be installed in any room that contains a bath or shower or where steam is regularly present.

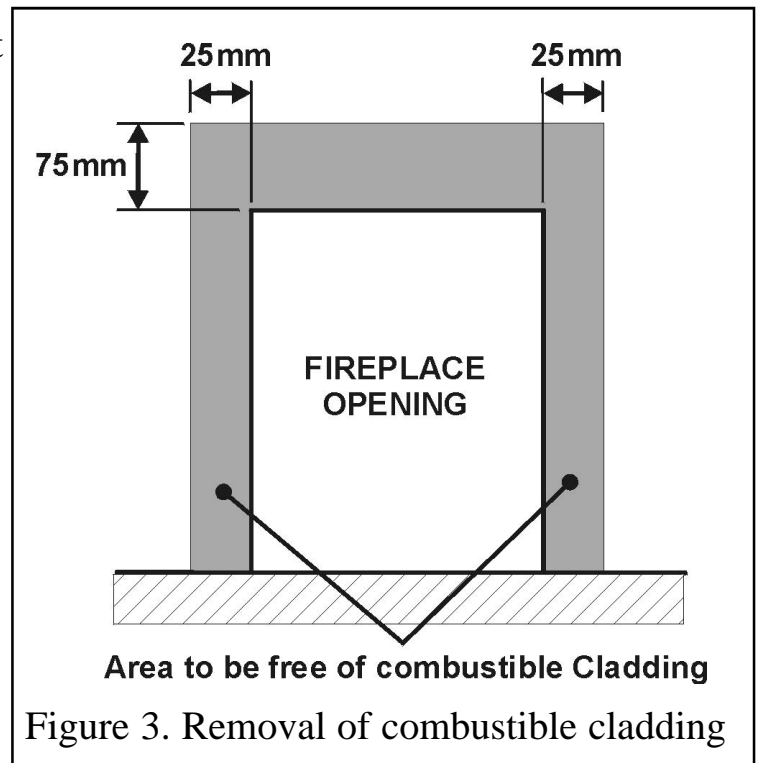
4.10 An extractor fan may only be used in the same room as this appliance, or in any area from which ventilation for the appliance is taken, if it does not affect the safe performance of the appliance. Note the spillage test requirements detailed further on in this manual. If the fan is likely to affect the appliance, the appliance must not be installed unless the fan is permanently disconnected.

INSTALLER GUIDE

4.11 Normal adventitious ventilation is usually sufficient to satisfy the ventilation requirements of this appliance. In GB reference should be made to BS 5871 Part 2 and in IE reference should be made to the current edition of IS 813 “Domestic Gas Installations” which makes clear the conditions that must be met to demonstrate that sufficient ventilation is available.

4.12 Propane gas appliances must not be installed in a room that is built entirely below ground level (see BS 5871 Part 3).

4.13 If the appliance is to be fitted against a wall with combustible cladding, the cladding must be removed from the area shown in figure 3.



4.14 Combustible side projections up to 75mm forward of the fixing plane of the fire are to be a minimum of 125mm from the fireplace opening (See figure 4)

4.14.1 Combustible side projections greater than 75mm forward of the fixing plane of the fire are to be a minimum of 178mm from the fireplace opening (See figure 4).

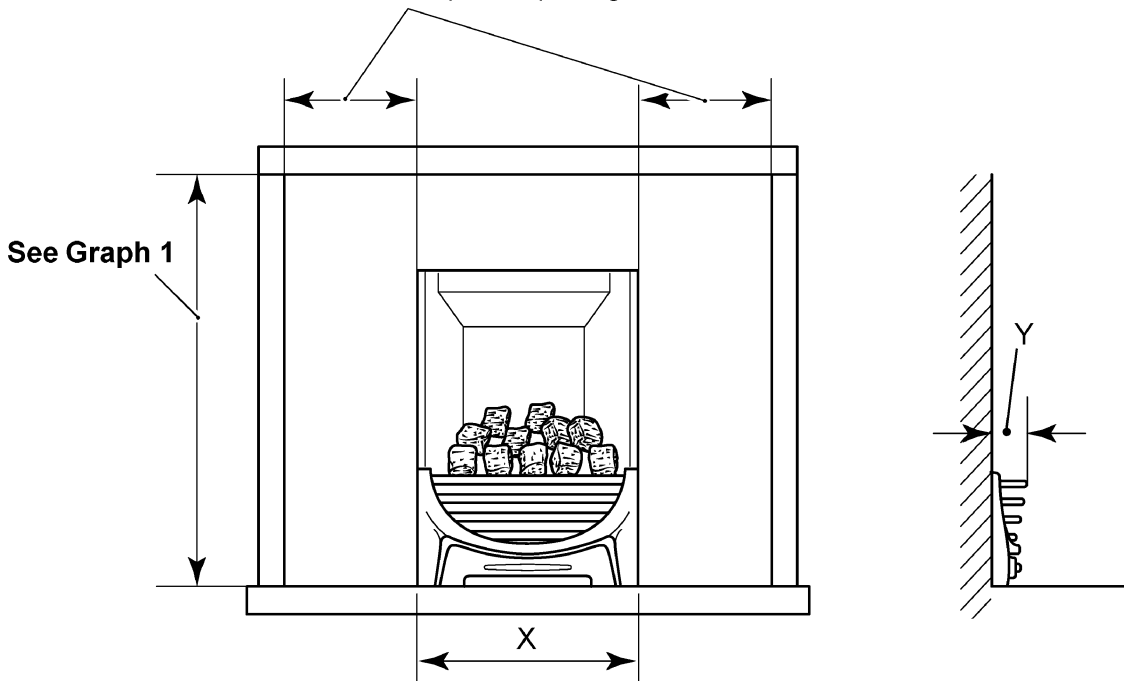
4.14.2 Non-combustible side projections to be 75mm from the fireplace opening (See figure 4)

4.15 The appliance is fitted with an A.S.D (Atmosphere sensing device). If the appliance closes down after a period of operation for no apparent reason, the consumer should be informed to stop using the appliance until the installation and appliance have been thoroughly checked. The A.S.D will shut the appliance down if an unacceptable amount of harmful products of combustion accumulate. Under no circumstances should the A.S.D be altered or bypassed in any way. Only a genuine manufacturers replacement part should be fitted. The individual A.S.D components are not replaceable.

4.16 A fireguard complying with BS 8423 should be fitted for the protection of young children, the elderly, or the infirm.

INSTALLER GUIDE

Combustible projections up to 75mm forward of the fixing plane of the fire to be a minimum of 125mm from the fireplace opening. Projections above 75mm forward of the fixing plane of the fire to be a minimum of 178mm from the fireplace opening. Non-combustible projections to be 75mm from the fireplace opening.



<u>Firefront</u>	<u>Dimension 'X' (mm)</u>	<u>Dimension 'Y' (mm)</u>
Azure	400	65
Quattro / Anthem	390	65
Majestic	400	50
Portland	390	60

Figure 4. Appliance dimensions (Firefront may differ from that shown)

5. UNPACKING

Contents:

- 1 Burner assembly
- 1 Nut & olive for 8mm inlet pipe
- 4 Screws
- 4 Plastic screw plugs
- 1 Fuel bed matrix support plate
- 2 Self tapping screws
- 1 Inlet 'T' connector / elbow
- 1 Ceramic fuel effect pack.
- 1 Burner tray trim (Not fitted to Anthem or Quattro models)

INSTALLER GUIDE

For models supplied with a firefront

1 Firefront and Cover

Carefully remove the contents. Take special care in handling the ceramic fuel effect pieces. Check that all the listed parts are present and in good condition.

6. INSTALLATION OF APPLIANCE

INSTALLATION

6.1 Fireplace size.

The fireplace must comply with the requirements described in section 4.

6.2 Fireplace flue pull.

Visually inspect the flue for any obstruction, and that a smooth transition from the fireplace opening into the flue is available. Close all doors and windows in the room in which the appliance is to be installed. After confirming with a match that smoke is drawn into the flue, light a 13 gram smoke pellet and check that there is a definite flow through the flue. Verify outside that the smoke exits from one terminal only and that the termination is suitable. Observe, where possible, upstairs rooms and loft spaces for signs of escaping smoke indicating a defective flue. If there is not a definite flow warm the flue for a few minutes and repeat the smoke pellet test. If there is still no definite flow the flue may need remedial work – **Do not fit the appliance until there is a definite flow through the flue.**

IMPORTANT

Before continuing with the installation of this gas fire the aeration setting on the burner must be checked. This is factory set. See section 11.1 (Servicing and parts replacement).

6.3 Installation of the burner unit

6.3.1 Prior to installation of the burner the rear ceramic support bracket must be fitted (See figure 5). Secure with two self-tapping screws but do not over-tighten as these will have to be removed again when installing the burner.

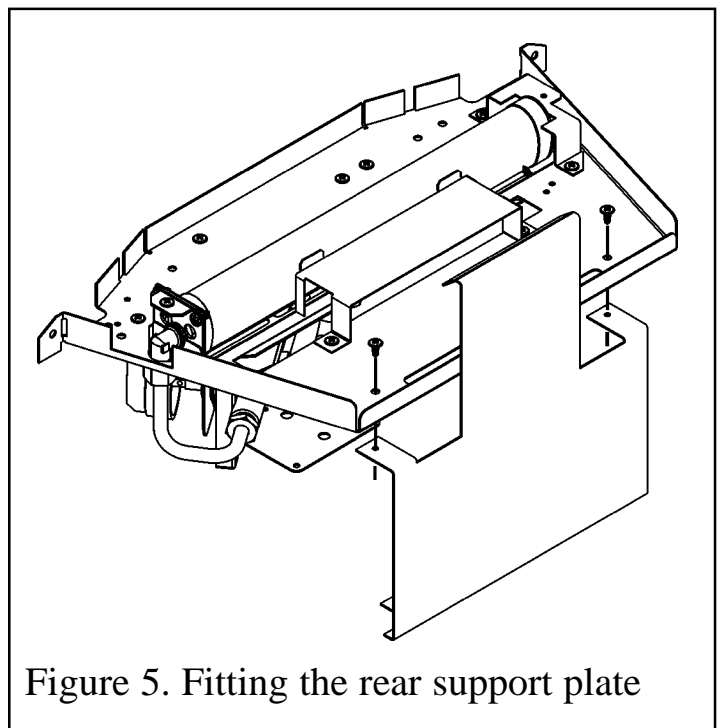


Figure 5. Fitting the rear support plate

INSTALLER GUIDE

6.3.2 Burner Tray trim.

- The trim is **not** to be fitted to 'Anthem' or 'Quattro' models.
- The fire is supplied with a burner tray trim. Fit the trim as in figure 6.

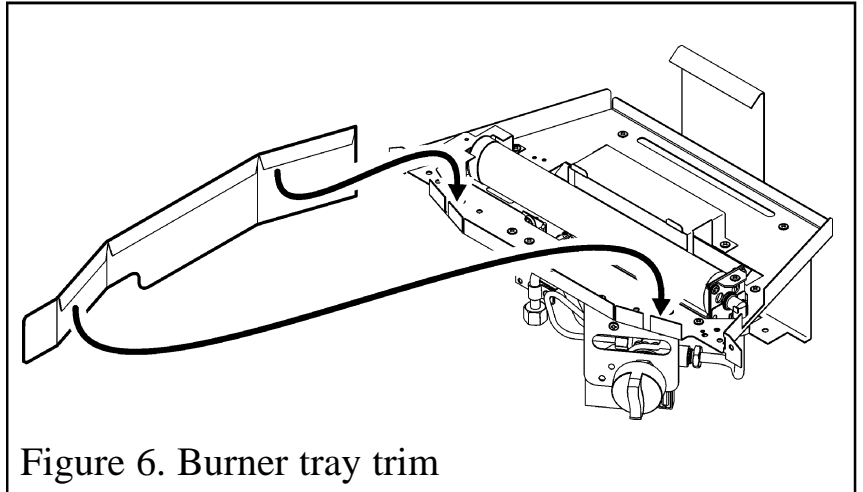


Figure 6. Burner tray trim

6.3.3 Burner Positioning

- The two tags at the side of the burner can be folded against the side of the burner tray. This may be required for installations where the width of the fireplace opening is restricted or when fitting into a 'Spanish Basket' casting (See figure 7).

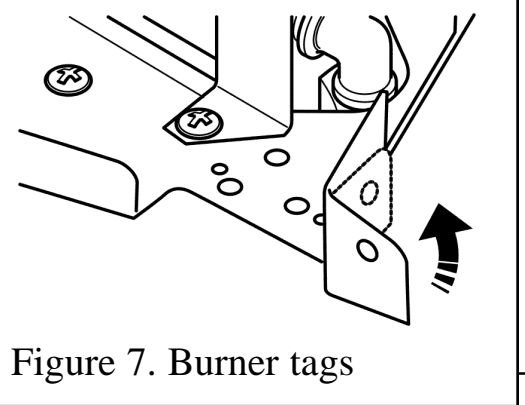


Figure 7. Burner tags

For installations without the 'Spanish Basket' casting.

- Place the burner unit centrally within the fireplace opening. Position the burner to the rear of the opening, this may be moved forward providing the front of the burner tray trim does not protrude beyond the front plane of the fireplace opening by more than 33mm (See figure 8).

For installations with the 'Spanish Basket' casting.

- Place the casting centrally within the fireplace opening. Position the casting to the rear of the opening.
- Place the burner unit inside the casting.
- It is important that the burner tray trim touches the inner front face of the casting. This will give the customer greater access to the control knob.
- The casting and burner may be moved forward providing the front of the burner tray trim does not protrude beyond the front plane of the fireplace opening by more than 33mm (See figure 8).

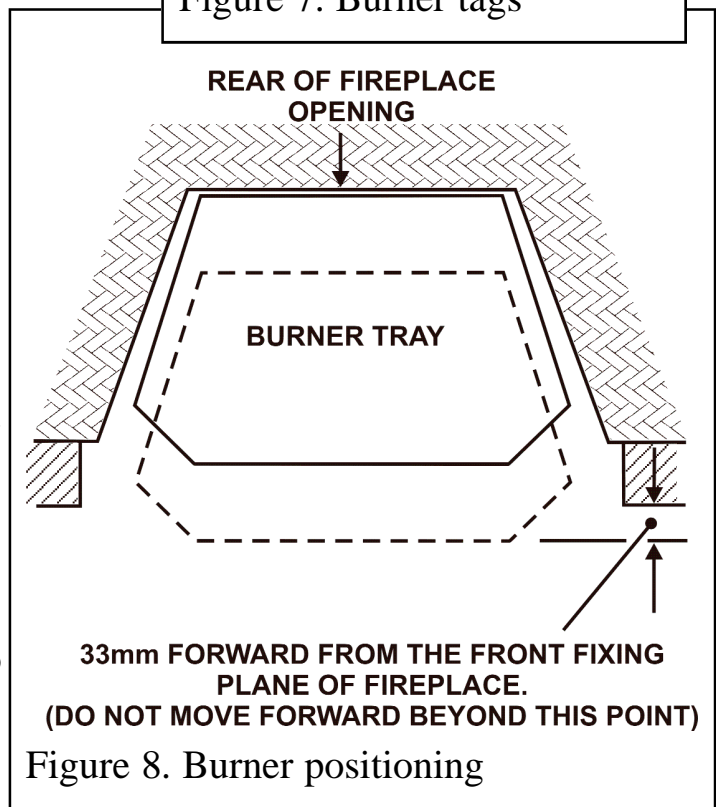


Figure 8. Burner positioning

6.3.3 Locating the burner.

- Mark onto the floor, the position of the two fixing holes in the front fixing bracket

INSTALLER GUIDE

(See figure 9).

- Without disturbing the burner, remove the two screws at the rear of the burner tray (See figure 10). These secure the rear ceramic support bracket to the burner tray.
- Hold the ceramic support bracket in place. Lift and remove the burner.
- The base of the rear ceramic support bracket has two holes. Mark their positions onto the floor.
- Drill all four marked hole positions with a 6mm masonry drill bit.
- Insert a wooden plug into each hole.
- Unscrew the fixing bracket from the front support leg of the burner.
- Using 4 screws secure the front fixing bracket and ceramic support bracket to the base of the floor.
- Locate the burner onto the rear ceramic support bracket ensuring that the control knob bracket sits in front of the front support bracket. Secure the burner to the ceramic support bracket using the two screws removed previously. Secure the burner to the front securing bracket using the screw removed previously.

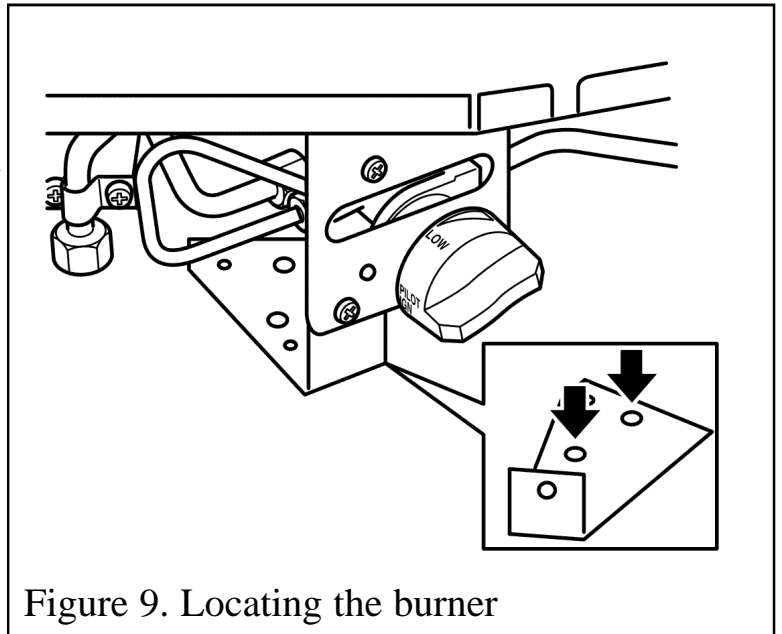


Figure 9. Locating the burner

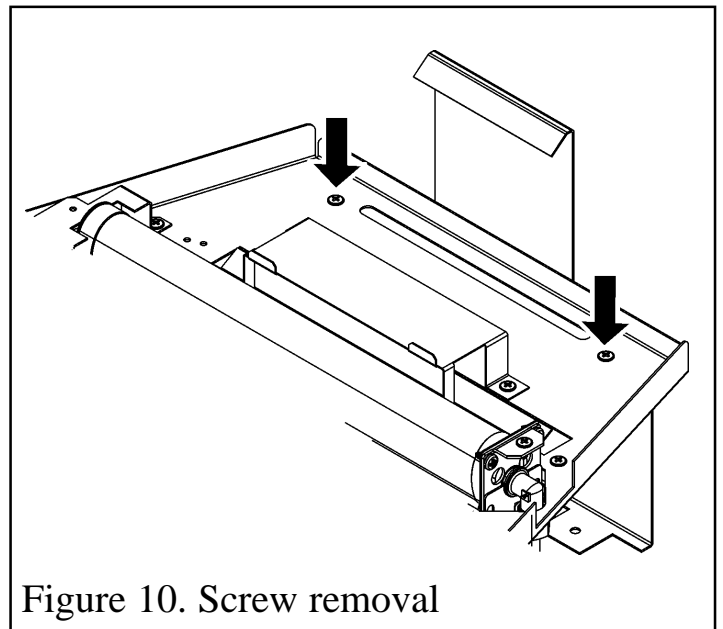


Figure 10. Screw removal

7. BURNER AND SUPPLY PIPE INSTALLATION

A nut and olive is provided for an 8mm-pipe inlet connection directly to the gas control. The inlet 'T' connector / elbow can be rotated to allow a connection from any direction. The inlet 'T' connector includes a valve for isolating the gas supply. Note that the centre of the appliance inlet 'T' connector is 25mm above the fireplace floor. The inlet 'T' connector should be fitted to the supply pipe at this stage.

The supply pipe must be rigid material. Flexible pipe must not be used. Connect the supply line to the appliance.

Turn on the gas supply and pressure check the installation pipework for gas soundness. In the United Kingdom (GB) check in accordance with the current edition of BS 6891. In the Republic of Ireland check in accordance with the current edition of IS 813 "Domestic Gas Installations".

INSTALLER GUIDE

7.1 Preliminary burner checks.

Some burner operations can be checked at this stage. Checking now will mean that less disassembly will be required if any problems are found. *A full check should still be made, however, after final installation.*

7.1.1 Lighting the fire

If closed, open the isolating inlet 'T' connector. Depress the control knob and rotate it anticlockwise to the pilot ignition position. A 'click' will be heard as the integral piezo operates. A spark should be seen between the electrode and pilot tip. Turn the control knob clockwise to the 'Off' position. Repeat this operation until a flame appears at the pilot. There may be a delay before the pilot lights due to air being purged from the system. When a flame appears at the pilot keep the control knob depressed and hold the pilot ignition position for ten seconds. When the control knob is released the pilot flame should remain lit.

7.1.2 Operating the burner.

When the pilot burner is operating properly, gradually turn the control knob anti-clockwise to 'HIGH' (Depress the knob slightly to get past the pilot ignition position). The main burner should now light. Depress the control knob slightly to release from the 'HIGH' position and turn back (clockwise) to 'LOW'. While turning, the burner flames should gradually become lower but remain alight. Depress the control knob slightly to release from the 'LOW' position and turn back (clockwise) to the Pilot ignition position. The main burner should extinguish but the pilot should remain alight. Depress the control knob slightly and turn back (clockwise) to turn OFF.

This will extinguish the pilot.

7.1.3 Checking the inlet pressure.

The appliance is pre-set to give the correct heat input at the inlet pressure shown in section 3 of this manual. No adjustment is necessary.

1. Check the inlet pressure by fitting a pressure gauge at the test point. The test point is on the inlet 'T' connector (See figure 11). Check the pressure with the appliance alight and set at maximum output.
2. After checking, turn off the appliance. Remove the pressure gauge and replace the test point sealing screw.
3. Relight the appliance. Turn to the maximum output position and test around the sealing screw for gas soundness with a suitable leak detection fluid.

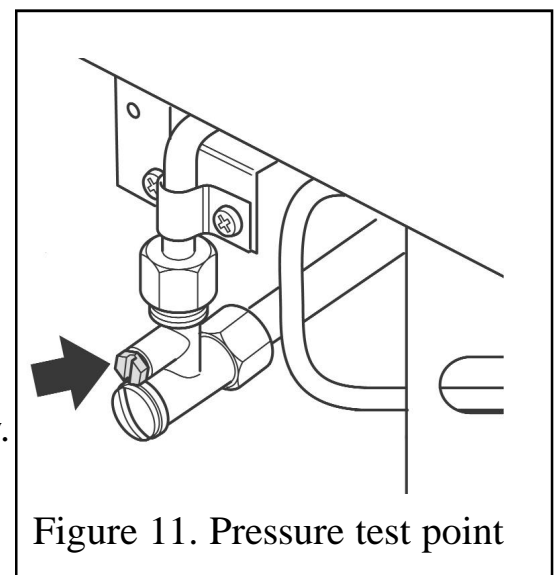


Figure 11. Pressure test point

INSTALLER GUIDE

8. FITTING THE FIREFRONT

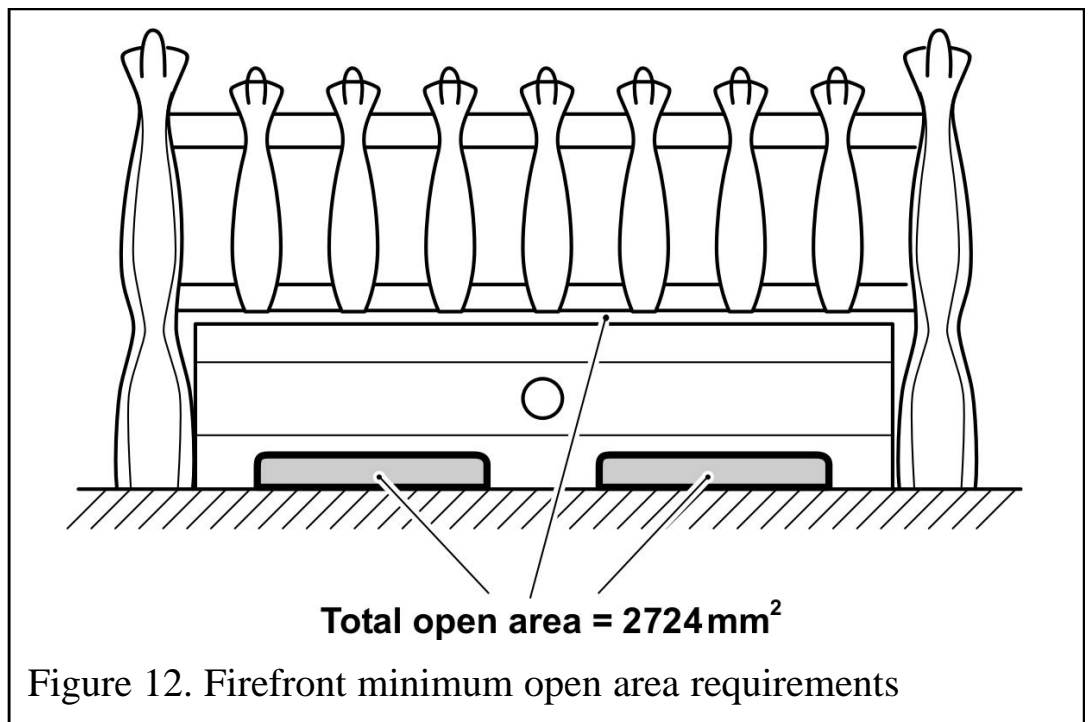
8.1 For models NOT supplied with a Firefront.

A slotted firefront with a **minimum** free area as shown in figure 12 must always be used.

8.2 For models SUPPLIED with a firefront.

The firefront supplied with this fire has been tested and found to be satisfactory for use with this fire. The open area may differ slightly from that shown in figure 12.

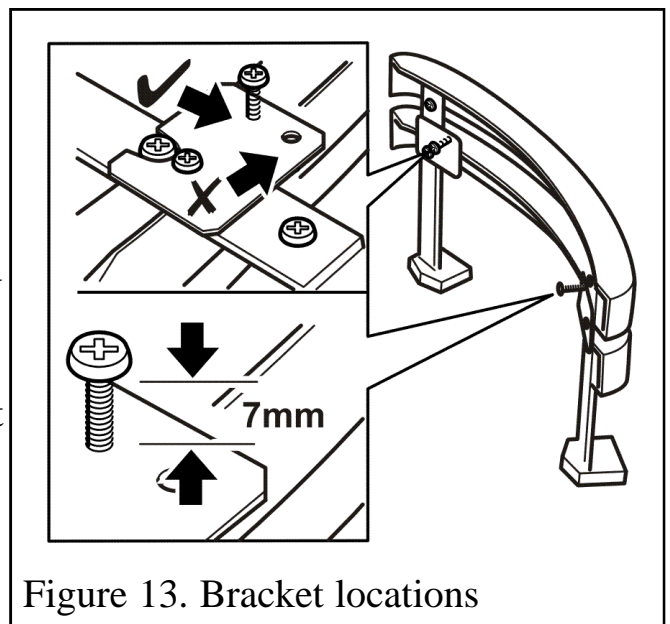
Place the decorative firefront on the hearth and central to the appliance.



'Quattro' / 'Anthem' firefront only

1. The Quattro / Anthem firefront is fitted with a set of fixing brackets. Each bracket has two threaded holes. As supplied the top threaded hole should be fitted with a 25mm long machine screw. Remove the machine screw and locate to the threaded hole below.

2. The screw should be set at a distance of 7mm (Measured from the surface of the bracket to the underside of the screw head). Adjust the screw to this distance (See figure 13).



INSTALLER GUIDE

3. Locate the firefront as in figure 14. The screw heads should locate into the slots in the burner tray.

4. The lower 'ashpan' casting should be located as in figure 15.

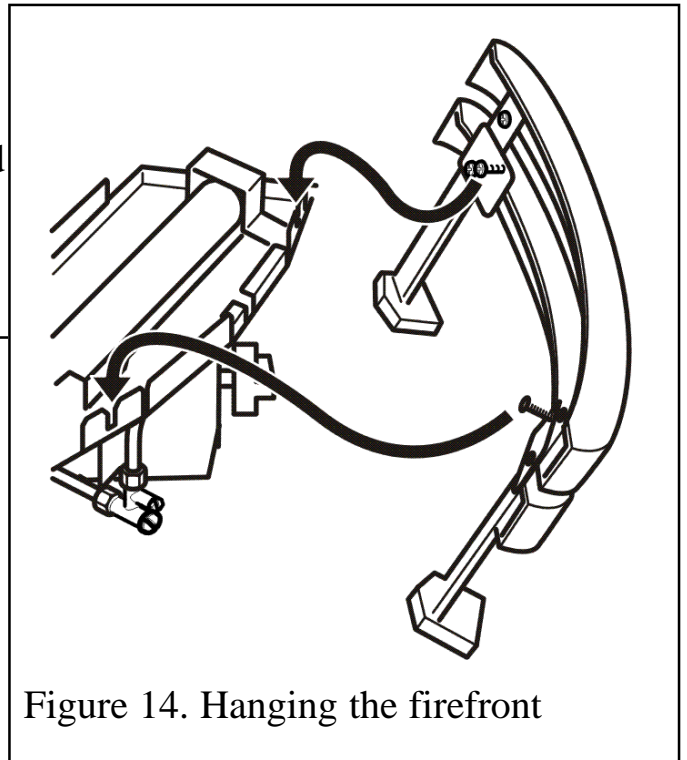


Figure 14. Hanging the firefront

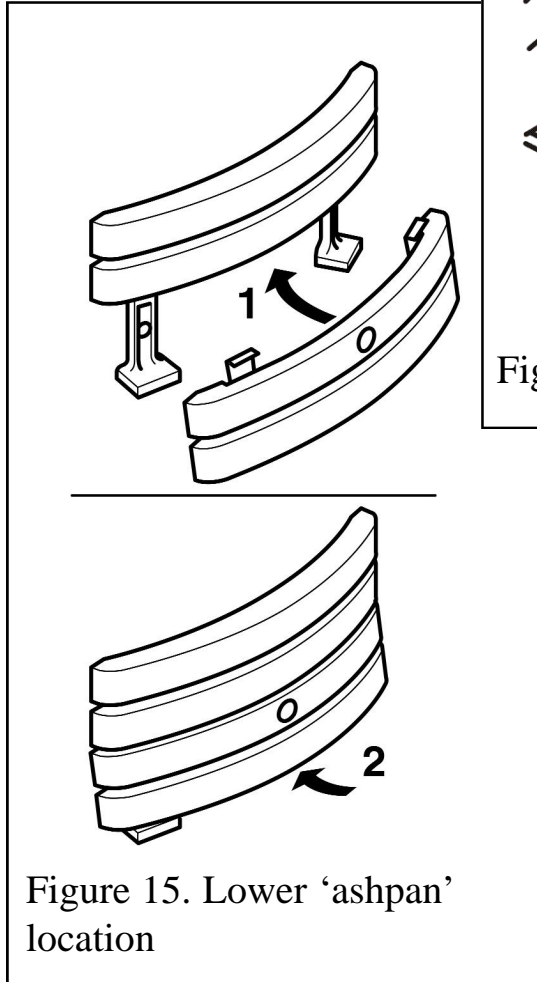


Figure 15. Lower 'ashpan' location

9. FITTING THE CERAMIC FUEL EFFECT

The installer and owner guide for the ceramic fuel effect is supplied with the ceramic fuel effect. It is important that the fitting guide for the ceramic fuel effect be placed inside or attached to this guide and handed to the customer following completion of the 'Final review' section.

INSTALLER GUIDE

10. FULL OPERATING CHECKS

Spillage check.

- *A spillage check must be made before leaving the installed appliance with the customer. Make this with all the ceramic fuel effect pieces and firefronts / castings in position (See figure 16).*

- Close all doors and windows in the room containing the appliance. Light the appliance and set the control to the 'HIGH' position. Leave the appliance on for five minutes. See lighting instructions within section 7 of this guide.

- The end of the smoke match should be level with the front face of the fireplace opening.

- The installation is satisfactory if the smoke is drawn into the fireplace opening. If the smoke is not drawn into the fireplace opening, leave the appliance alight at the maximum setting for a further ten minutes and then repeat the test. If smoke is still not drawn into the appliance ***disconnect the appliance and seek expert advice.***

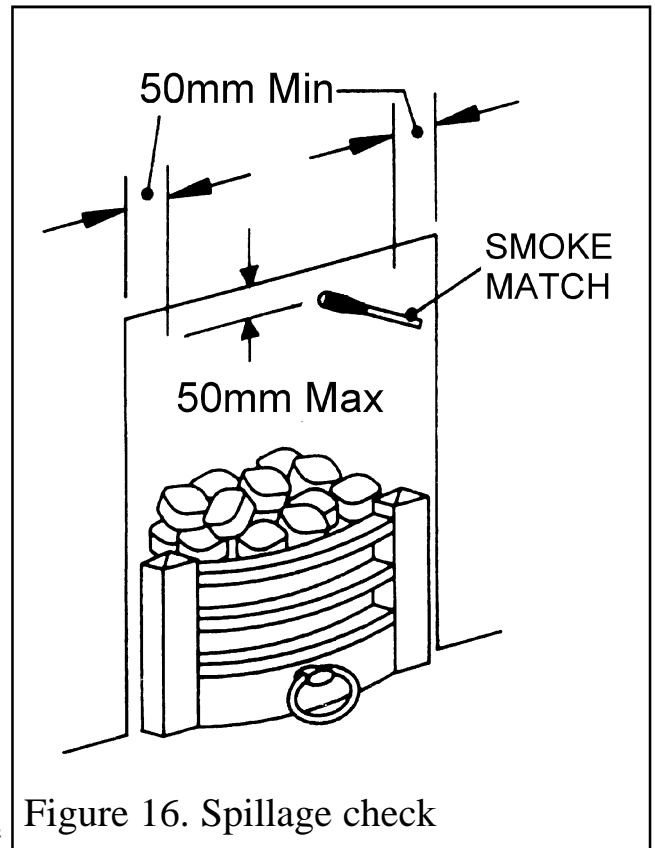
- If the above test is satisfactory, open all internal connecting doors, hatches, etc. in the room. Keep all doors and windows that open to the outside of the building closed. Switch on any extractor fan installed in the same room as the appliance or a connecting room. Open all doors and other openings between the fan and the appliance. Recheck for spillage as above. If the smoke is drawn into the appliance, continue with the installation. If the test is not satisfactory, ***disconnect the appliance and advise the customer of the cause of failure.***

Flame Supervision & Spillage Monitoring System

The pilot unit incorporates a system that will automatically shut off the gas supply if the pilot flame goes out or if there is insufficient oxygen due to spillage or lack of ventilation.

Check that the system operates properly as follows:

- Light the appliance. Set at the "HIGH" position and leave for one minute.
- Turn back to "OFF" to extinguish the pilot. **Note the time when the pilot goes out.** Listen for a snap sound at the gas tap. **Note the time when the sound is heard.** An



INSTALLER GUIDE

electromagnetic valve shutting off the gas supply through the tap causes this sound. The valve is located in the body of the tap. The valve should operate **within 60 seconds of the pilot going out**. If the valve does not operate within this time limit do not allow the appliance to be used until the fault has been corrected.

This monitoring system must not be adjusted, bypassed or put out of operation. This monitoring system, or any of its parts, must only be exchanged using Baxi Fires Division authorised parts.

Final Review.

- Visually inspect the appliance. Clean off any marks incurred during installation.
- Hand this guide to the customer.
- *Stress that no extra ceramic fuel effect pieces must be added over and above those supplied with the appliance and that any replacements must only be authorised spares. Warn that ignoring this advice could cause incomplete clearance of the products of combustion with consequent health hazards.*
- Advise the customer how to operate the appliance. Point out that lighting instruction details are contained within the owner guide.
- Explain that this appliance is fitted with an atmosphere-sensing device, ODS pilot unit that will automatically shut off the supply of gas to the fire if, for any reason, the flames go out. It will also shut off the gas supply if the flue is blocked or if there is not enough ventilation. If this device does operate or if the fire is turned off accidentally or intentionally, always wait three minutes before attempting to relight.
- Advise the customer that the fire front and ceramic fuel effect pieces can be cleaned as described in the owner guide and that the ceramic fuel effect pieces must be replaced as described in the installer and owner guide for the ceramic fuel effect.
- Recommend that the appliance should be serviced and the chimney inspected by a competent person at least annually.

11. SERVICING & PARTS REPLACEMENT

Always turn off the gas supply before commencing any servicing (The appliance inlet 'T' connector incorporates an isolating valve).

It is recommended that, at least once a year, the appliance is disconnected and the fireplace opening checked and cleared of any debris.

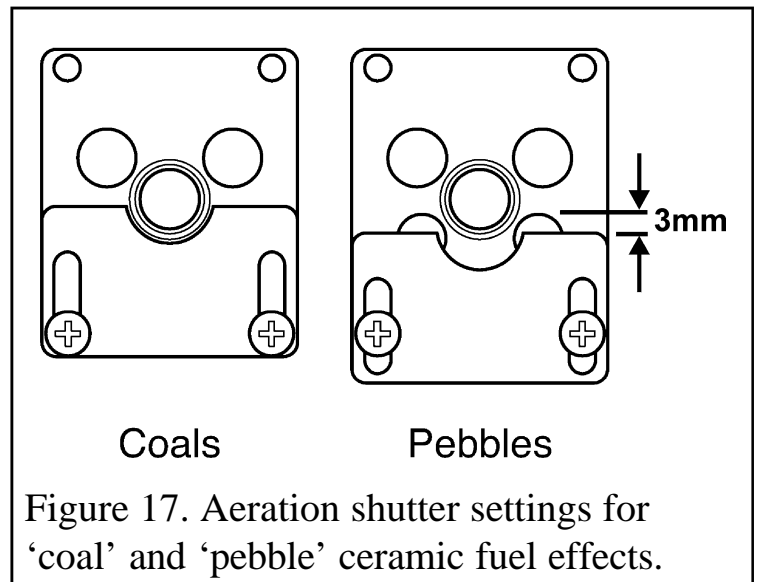
This product uses fuel effect pieces containing Refractory Ceramic Fibres (RCF), which are man-made vitreous silicate fibres. Excessive exposure to these materials may cause irritation to eyes, skin and respiratory tract. Consequently, it is important to take care when handling these articles to ensure that the release of dust is kept to a minimum. To ensure that the release of fibres from these RCF articles is kept to a minimum, during installation and servicing we recommend that you use a HEPA filtered vacuum to remove any dust and soot accumulated in and around the fire before and after working on the fire. When replacing these articles we recommend that the replaced items are not broken up, but are sealed within a heavy duty polythene bag, clearly labelled as RCF waste. RCF waste is classed as a stable, non-reactive hazardous waste and may be disposed at a landfill licensed to accept such waste. Protective clothing is not required when handling these articles, but we recommend you follow the normal hygiene rules of not smoking, eating or drinking in the work area and always wash your hands before eating or drinking.

- Check that the appliance is clean and that soot or debris is not blocking the gaps between the ceramic fuel effect pieces causing an imperfect flame.
- Check that soot or debris is not impairing the electrode spark or pilot burner.
- Check that soot or debris is not blocking any of the slots in the main burner.
- After servicing, make sure that the ceramic fuel effect pieces are replaced correctly as described in the installation instructions.
- **Always test for gas soundness and spillage after servicing the appliance.**

11.1 Checking the aeration setting of the burner.

1. The aeration shutter is factory set for use with a 'pebble' ceramic fuel effect. It is important to ensure that the aeration setting is correct for the ceramic fuel effect used. Check the aeration shutter setting even if fitting the 'pebble' fuel effect (See figure 17).

2. To adjust the aeration setting, loosen the two aeration shutter screws, slide the aeration shutter to the position shown in



INSTALLER GUIDE

figure 17 and tighten the fixing screws.

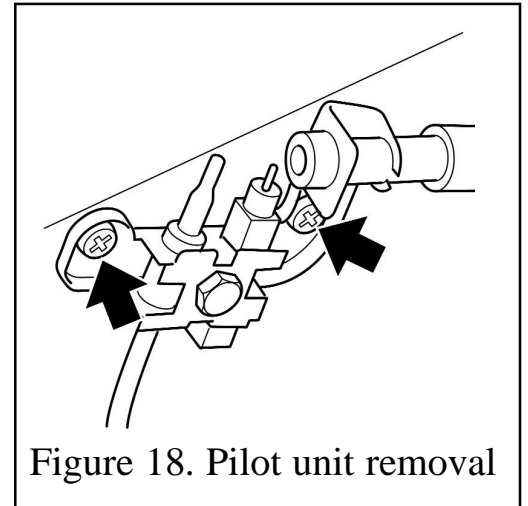
11.2 To remove the complete burner unit.

1. Remove the firefront and place in a safe position.
2. Remove the ceramic fuel effect.
3. Close the valve in the inlet 'T' connector / elbow.
4. Disconnect the appliance from the inlet 'T' Connector.
5. Remove the front leg fastening screw. This is located to the left of the control knob.
6. Lift the burner out of the fireplace opening.
7. Replace in the reverse order.

11.3 To remove the pilot unit.

1. Remove the burner unit (See section 11.2).
2. Detach the pilot pipe from the pilot unit.
3. Detach the thermocouple from the gas valve.
4. Detach the electrode lead from the underside of the electrode tab.
5. Remove the two screws securing the pilot unit (See figure 18).
6. Refit in the reverse order.

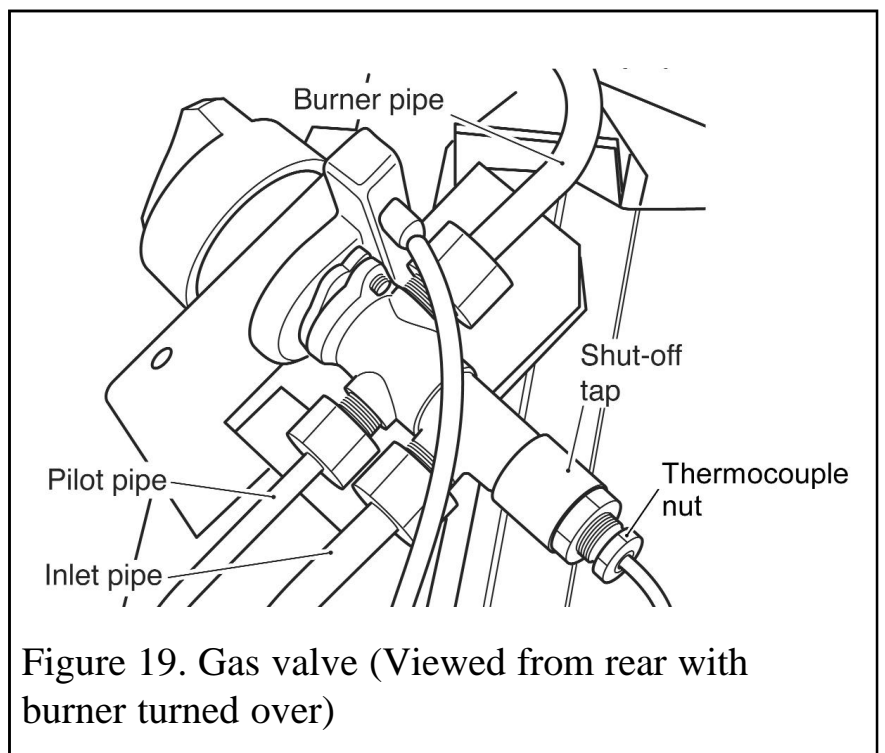
Note: 1. The pilot unit is an atmosphere sensing device. It must be replaced as a whole assembly. Its individual components are not separately replaceable.



11.4 To remove the gas valve.

(See figure 19).

1. Remove the burner unit (See section 11.2).
2. If lying the burner on its back, ensure that the work surface is suitably protected. This will avoid damage to the work surface. Turn the burner unit upside down. Detach the thermocouple from the tap
3. Detach the pilot pipe from the tap.
4. Detach the inlet pipe.
5. Detach the injector pipe
6. Detach the electrode lead from the base of the electrode
7. Remove the control knob by



INSTALLER GUIDE

pulling forward.

8. Remove the thermocouple by unscrewing the thermocouple nut at the gas valve.
9. Remove the hexagonal nut securing the gas valve to the mounting bracket.
10. Remove the gas valve
11. Refit in the reverse order.

11.5 To remove the piezo generator.

1. Remove the gas valve as in section 11.4.
2. Make sure that the tap is in the off position.
3. Remove the circlip holding the piezo unit to the tap. Remove the piezo unit.
4. Replace in the reverse order.

11.6 To grease the control tap.

1. Detach the tap and remove the piezo generator as section 11.5 making sure that the tap is in the off position.
2. Remove the two screws from the head of the tap. Remove the niting head and spindle complete with collar and spring.
3. Note the position of the slot in the plug-mark its position on the tap body.
4. Remove the plug rotating slightly while pulling.
5. Clean and grease the plug lightly with suitable grease. Do not apply excessive grease. Particularly, make sure that the gas ports in the tap are not restricted by grease.
6. Push the plug into the tap body and position the slot in line with the mark previously made on the tap body.
7. Reassemble the niting head and spindle complete with collar and spring making sure that the components are correctly engaged. Check the operation of the tap.
8. Refit the piezo generator.

11.7 To replace the burner.

(See figure 20).

1. Remove the burner unit (See section 11.2).
2. Support the elbow injector and unscrew the injector nut.
3. Remove the two screws from the burner clamping plate (See figure 20)
4. Lift the right hand side of the burner, slide it to the right and lift clear
5. Refit in reverse order.

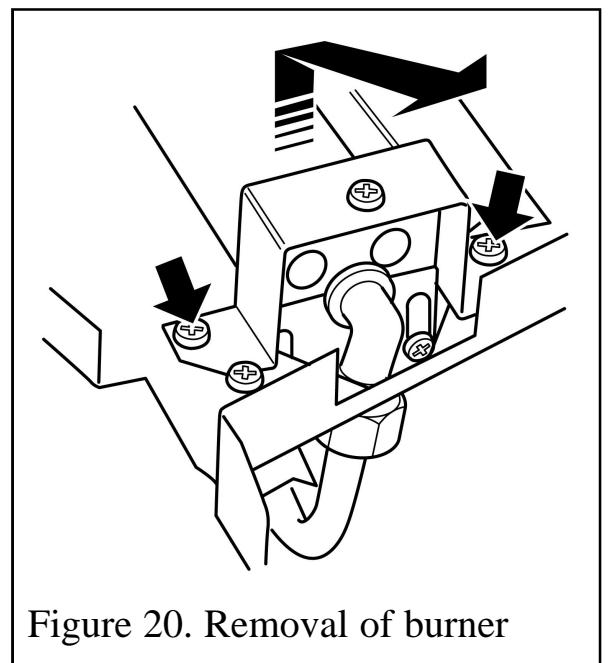


Figure 20. Removal of burner

INSTALLER GUIDE

11.8 To remove the main burner injector.

(See figure 21).

1. Remove the burner (See section 11.7).
2. Remove the burner clamping screw (See figure 21)
3. Unscrew the injector from the burner
4. Refit in the reverse order.

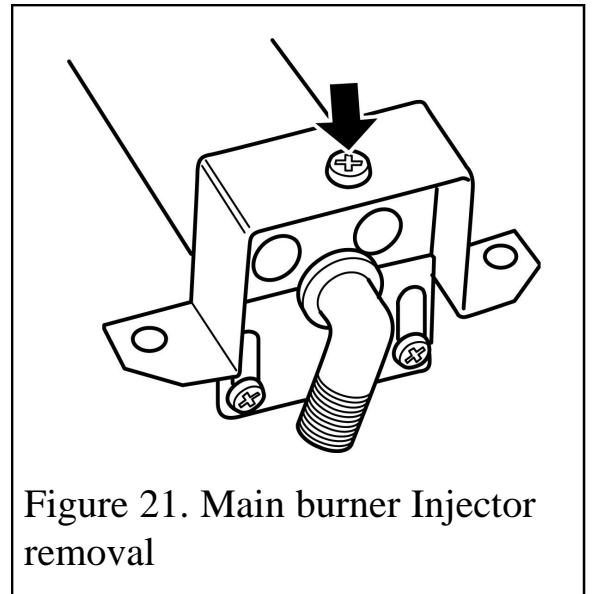


Figure 21. Main burner Injector removal