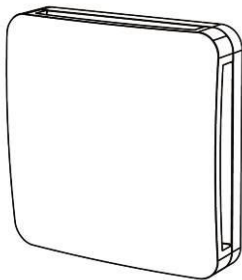


Xpelair Smooth Fan Range

Installation and Maintenance Instructions

93346AA - XS100S Xpelair Smooth Standard 4" Fan

93347AA - XS100T Xpelair Smooth Timer 4" Fan



- Do read the entire instruction leaflet before commencing installation.
- Do install each fan with a means for disconnection in all poles in the fixed wiring.
- Do make sure the mains supply is switched off before attempting to make electrical connections or carry out any maintenance or cleaning.

Please leave this leaflet with the fan for the benefit of the user.

UK customers:

If you have any queries before or after installing this product call the Xpelair Technical Hotline +44 (0) 844 372 7766. Our engineers are there to help you during normal office hours. Or you can fax at all other times on +44 (0) 844 372 7767.

Customers outside the UK should contact your local Xpelair distributor.

This appliance is intended for connection to fixed wiring.

Check that the electrical rating shown on each fan matches the mains supply.

THE APPLIANCE IS DOUBLE INSULATED AND DOES NOT REQUIRE AN EARTH CONNECTION.

All installations must be supervised by a qualified electrician. Installations and wiring must conform to current IEE Regulations (UK), local or appropriate regulations (other countries).

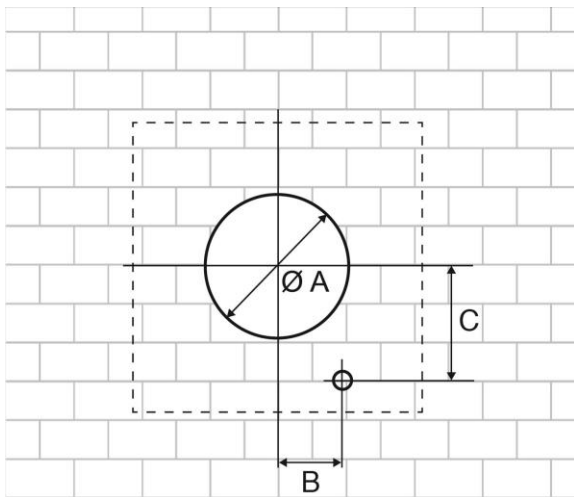
This appliance can be used by children aged from 8 years and above and persons with reduced physical, sensory capabilities or lack of experience and knowledge if they have been given supervision or instruction concerning the use of the appliance in a safe way and understand the hazards involved. Children shall not play with the appliance.

Cleaning and maintenance of the appliance shall not be made by children.

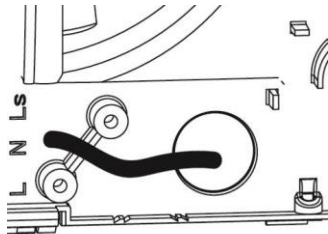
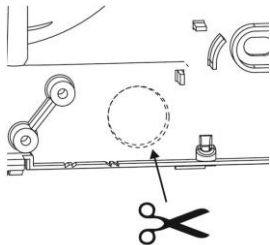
Where to locate the fan.

- Locate it as high as possible.
- At least 110mm from the edges of the mounting surface to the centre of the hole.
- As far away as possible from and opposite to the main source of air replacement to ensure airflow across the room (e.g. opposite the internal doorway).
- Near the source of steam or odours.
- **Not where ambient temperatures are likely to exceed 50°C.**
- **If installed in a kitchen fans must not be mounted immediately above a cooker hob, or eye level grill.**

- If installing in a room containing a fuel burning device which has a non-balanced flue, it is the installer's responsibility to ensure that there is enough replacement air to prevent fumes being drawn down the flue when the fan is operating up to maximum extract. Refer to Building Regulations for specific requirements.
- Exhaust air must not be discharged into a flue used for exhausting of fumes from appliances supplied with energy other than electric. Requirements of all authorities concerned must be observed for exhaust air discharge and intake flow rates.
- Not suitable for use in possible chemical corrosive atmospheres.

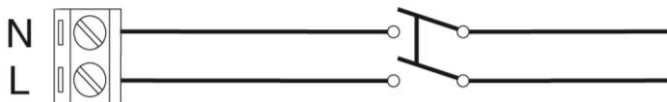


	$\varnothing A$	B	C
10/4"	100,0	37,20	64,50

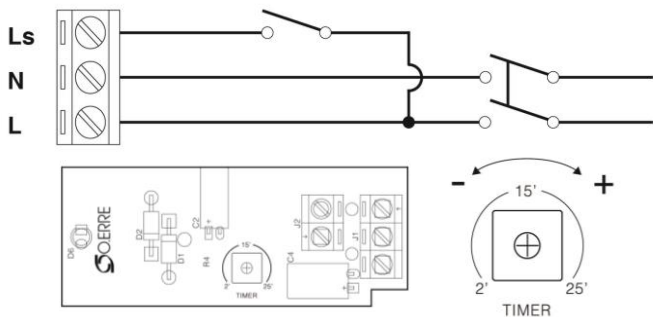


A means for disconnection in all poles must be incorporated in the fixed wiring in accordance with wiring regulations

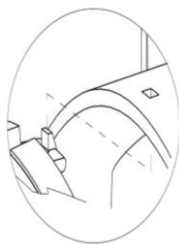
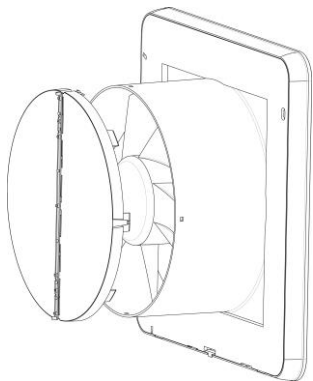
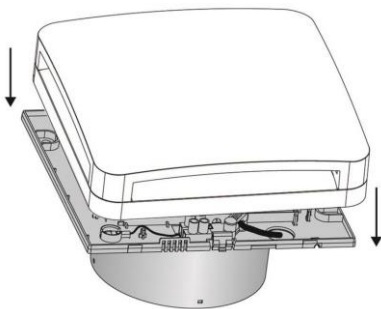
XS100S



XS100T



For fixed wiring circuits the protective fuse for the appliance must not exceed 5A



Guarantee.

UK only:

We, Redring Xpelair Group Limited, provide a guarantee against faulty parts and manufacture for a period of 2 years from the date of purchase. In the unlikely event of a product breakdown during the guarantee period the product should be returned to the place of purchase or to Redring Xpelair Group Limited.

Exclusions:

- **This guarantee does not cover compensation for the loss of the product or consequential loss of any kind.**
- **Damage or defects to the product arising from incorrect installation or lack of maintenance.**
- **Transportation costs.**

This guarantee does not affect your statutory rights

Technical advice and service

Customers outside UK - see international below.

United Kingdom

Xpelair have a comprehensive range of services including:

- Free technical advice help-desk from Engineers on all aspects of ventilation.
- Free design service, quotations and site surveys.
- Service and maintenance contracts to suit all requirements.

Please ask for details:

- By telephone on Techline: +44 (0) 844 372 7766
- By fax on Techfax: +44 (0) 844 372 7767
- At the address below

Head Office, UK Sales Office and Spares

Redring Xpelair Group Ltd, Newcombe House, Newcombe Way, Orton Southgate,
Peterborough, PE2 6SE England

Telephone: +44 (0) 844 372 7761

Fax: +44 (0) 844 372 7762

Sales/Spares Hotline: +44 (0) 844 372 7750

Sales/Spares Faxline: +44 (0) 844 372 7760

<http://www.xpelair.co.uk>

International.

- Guarantee: Contact your local distributor or Xpelair direct for details.
- Technical Advice and Service: Contact your local Xpelair distributor.

