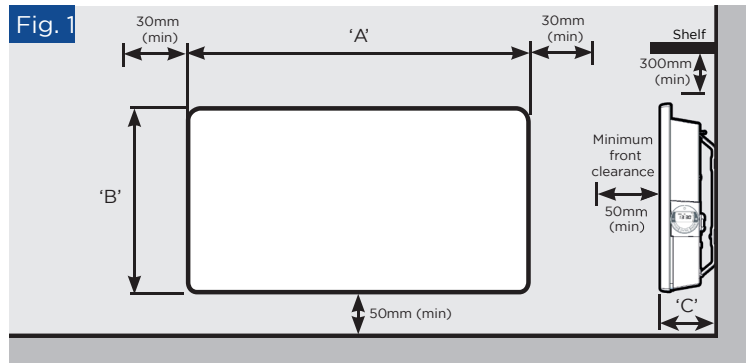


Dimensions

Model(s)	Watt	A	B	C
CPH05T	500	425mm	400mm	115mm
CPH10T	1000	525mm	400mm	115mm
CPH15T	1500	625mm	400mm	115mm
CPH20T	2000	925mm	400mm	115mm
CPH24T	2400	925mm	400mm	115mm

Fig. 1



THESE INSTRUCTIONS SHOULD BE READ CAREFULLY AND RETAINED FOR FUTURE REFERENCE

IMPORTANT SAFETY ADVICE

When using electrical appliances, basic precautions should always be followed to reduce the risk of fire, electrical shock, and injury to persons, including the following:

IMPORTANT - The wall bracket supplied with the appliance must be used.

DO NOT use this heater in the immediate surroundings of a bath, a shower or a swimming pool.

IMPORTANT - If the heater is installed in a room containing a bath or shower, it must be so installed that switches and other controls cannot be touched by a person using a bath or shower.

WARNING - In order to avoid overheating, do not cover the heater. Do not place material or garments on the heater, or obstruct the air circulation around the heater, for instance by curtains or furniture, as this could cause overheating and a fire risk.



This heater carries the warning symbol indicating that it must not be covered.

NEVER cover or obstruct in any way the heat outlet slots at the top of the heater or the air inlet slots in the base of the heater.

CAUTION - Some parts of this product can become very hot and cause burns. Particular attention has to be given where children and vulnerable people are present.

This appliance can be used by children aged from 8 years and above and persons with reduced physical, sensory or mental capabilities or lack of experience or knowledge if they have been given supervision or instruction concerning the use of the appliance in a safe way and understand the hazards involved.

Children shall not play with the appliance. Cleaning and user maintenance shall not be carried out by children without supervision.

Children aged from 3 years and less than 8 years shall only switch on/off the appliance provided that it has been placed or installed in its intended normal operating position and they have been given supervision or instruction concerning the use of the appliance in a safe way and understand the hazards involved.

Children aged from 3 years and less than 8 years shall not plug in, regulate and clean the appliance or perform user maintenance.

If the supply cord is damaged it must be replaced by the manufacturer or service agent or a similarly qualified person in order to avoid a hazard.

WARNING: Servicing and product repairs should only be undertaken by the manufacturer's approved service agent or a similarly qualified person, using only exact manufacturer approved spare parts.

IMPORTANT: The supply circuit to the heater must incorporate a double pole isolating switch having a contact separation of at least 3mm.

WARNING: Packaging should be disposed of responsibly as the EPS used could be a potential choking hazard for children.

WARNING: Do not locate the heater immediately below a fixed socket outlet or connection box.

CAUTION: In order to avoid a hazard due to inadvertent resetting of the thermal cut-out, this appliance must not be supplied through an external switching device, such as a timer, or connected to a circuit that is regularly switched on and off by the utility.

Energy Related Product Directive

This product complies with Lot20 of the Energy Efficiency Directive (2015/1188)

Type of heat output/ room temperature control						
With electronic room temperature control		Yes				
Electronic room temperature control plus week timer		Yes				
With open window detection		No				
Model Identifier(s):		CPH05T	CPH10T	CPH15T	CPH20T	CPH24T
Nominal heat output	P _{nom}	0.5 kW	1 kW	1.5 kW	2 kW	2.4 kW
Height (mm)		400				
Depth (mm)		115 2				
Width (mm)		425	525	625	925	925
Minimum heat output (indicative)	P _{min}	0.5 kW	1 kW	1.5 kW	2 kW	2.4 kW
Maximum continuous heat output	P _{max,c}	0.5 kW	1 kW	1.5 kW	2 kW	2.4 kW
Auxiliary electricity Consumption						
At nominal heat output	e _{lmax}	0.00	0.00	0.00	0.00 ₁	0.00
At minimum heat output	e _{lmin}	0.00	0.00	0.00	0.00	0.00
In standby mode	e _{lSB}	<0.0005	<0.0005	<0.0005	<0.0005	<0.0005

General Information

This heater must be used wall-mounted. The necessary wall mounting brackets are provided with the product as a standard. It should only be operated when in the upright position as shown - see Fig.1. Before connecting the heater check that the supply voltage is the same as that stated on the heater.

IMPORTANT - Pull out the battery isolator strap before connecting the product. Please dispose of carefully as this may be a choking hazard.

Electrical Connection

WARNING: THIS APPLIANCE MUST BE EARTHED

WARNING:- The electrical installation of this heater must be carried out by a suitably qualified or trained electrician, and be in strict accordance with the current wiring Regulations BS 7671. The supply must be connected via a switched fused spur with a fuse rated suitably for the appliances flex. Failure to follow these instructions will mean that the manufacturer's instructions have not been adhered to. THERE ARE NO EXCEPTIONS.

Mains lead are coloured in accordance with the following code:

GREEN AND YELLOW: EARTH
 BLUE: NEUTRAL
 BROWN: LIVE

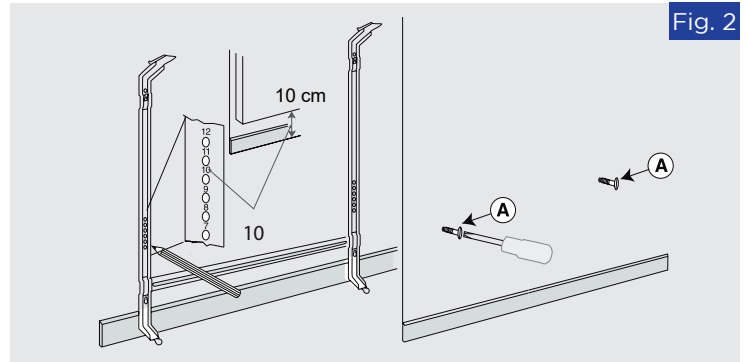
The heater is fitted with a length of flexible cable type H05VV-F size 3 x 1.5mm² models for connection to the fixed wiring of the premises through a suitable connection box positioned adjacent to the heater. A means for disconnection must be incorporated in the fixed wiring of the premises in accordance with the current wiring regulations. Products that are supplied without a plug are for installation into the fixed wiring of the property, via a suitable double pole switched fused spur with a fuse rated suitably for the appliances flex.

WARNING: This heater must not be connected to the electricity supply via an external switching device.

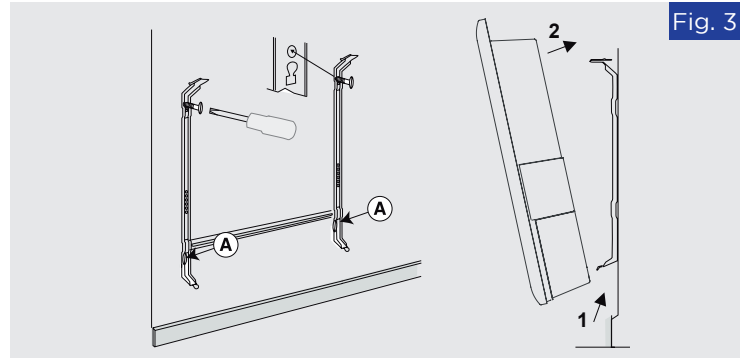
Wall Mounting

IMPORTANT - The radiator must only be mounted using the kit supplied

STEP 1: The wall bracket can be used as a measuring device for placing the heater on the wall. Mark the location for the two bottom screws (A-A) and fasten the two screws in the wall - see Fig. 2.



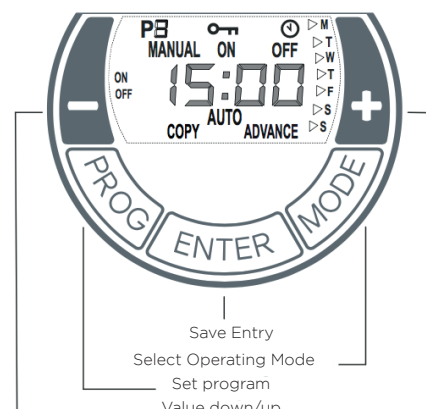
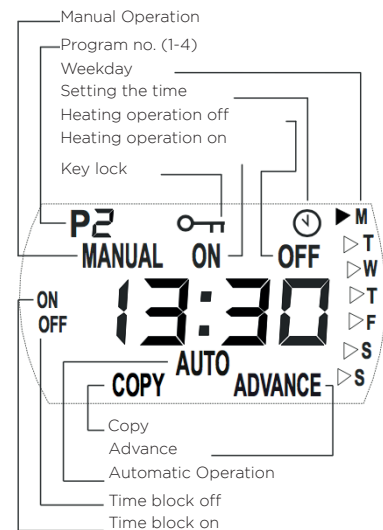
STEP 2: screws (A-A). Then fasten the wall bracket with the top screws. Place the heater on the wall bracket (1) and click the heater onto the top catches (2).



Control Unit

The heater is supplied with a configurable electronic control, consisting of a display, a LED screen and five membrane buttons. The control unit is located on the right hand side of the panel.

The set functions and values are shown on the display. The LED lights up red when heating ON



Key Functions

MODE

- Automatic mode (week program)
- Manual operation ON
- Manual operation OFF

ENTER

- Save entry

PROG

- Week program, set clock

KEYS +/-

- Used to navigate through the menu and to change the setting values

Operating Modes

Automatic Operation

Up to four heating program (ON/OFF) can be set for each weekday. A room temperature can be specified for each heating program. AUTO appears on the display.

Manual Operation

Manual specification of the room temperature. MANUAL ON or MANUAL OFF appears on the display

Advance

Switch to the next program item in automatic mode. ADVANCE appears on the display

NOTE: In manual operation (MANUAL ON), the room temperature can be specified with the +/- keys. In automatic mode, the room temperature setting is only carried out for the current time program

Setting the Time and Week Day

The time and day are set with the following steps:

- Press and hold the PROG key for three seconds. The clock symbol appears. The hours and display flashes.
- Use the +/- keys to set the hours. Press the ENTER key. The minutes display flashes
- Use the +/- keys to set the minutes. Press the ENTER key. The weekday flashes.
- Use the +/- keys to set the day of the week. Press the ENTER key. The CLOCK symbol disappears. Setting is complete

Selecting the Operating Mode

Pressing the MODE key switches the operating mode between MANUAL ON, MANUAL OFF and AUTO.

MANUAL ON

- Manual heating operation switched on
- Display alternates between room temperature setting and current time
- Room temperature is set with +/-

The room heating device can be adjusted inbetween 5°C to 30°C.

MANUAL OFF

- Heating operation switched off
- The current time is displayed
- Room temperature cannot be set

NOTE: In MANUAL OFF operating mode, frost protection takes place. If the room temperature is 5°C or less, the heating device is switched on automatically

AUTO

- Automatic mode (week program) activated
- Display alternates between room temperature setting and current time
- Heating operation takes place in the specified time blocks for ON and OFF
- Room temperature is set with +/-.

No time blocks are specified at the factory. These must be defined by the user as required.

NOTE: In time block OFF, frost protection is set at the factory. If the room temperature is 5C or less the heating device is switched on automatically

NOTE: For extended operation, it is advisable to use the AUTO operating mode to reduce the operating costs

Four time blocks are available per day. These can be adapted for each day of the week.

- Select AUTO operating mode by pressing the MODE button
- Press the PROG key. WEEKDAY display flashes.



Use the +/- keys to set the weekday

Setting time block ON

- press the ENTER key. P1 (period 1) and ON appears. The hours display flashes
- Use the +/- keys to set the hours. Press the ENTER key. The minutes display flashes.
- Use the +/- to set minutes (in 10 minute increments)

Setting time block OFF

- Press the ENTER key. P1 (program 1) and OFF appears. The hours display flashes.
- Use the +/- keys to set the hours. Press the ENTER key. The minutes display flashes.
- Use the +/- keys to set the minutes.

Temperature setting

- Press the ENTER key. Temperature setting appears
- Use the +/- keys to set the temperature. Press the ENTER key. P2 (program 2) and ON appears. The hours display flashes.

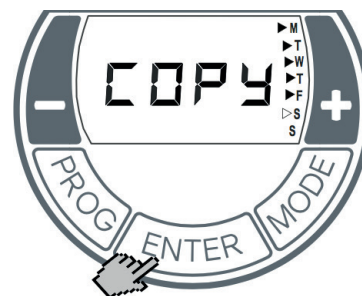
The programs P2, P3 and P4 can be set in the same way.

NOTE: To exit the program early, press the PROG key

Copying Programs

To copy the newly set programs P1 - P4 to other days, proceed as follows.

- After carrying out the Temperature Setting, press and hold the ENTER key until COPY appears.
- Press + to select more weekdays.
- The selected weekdays are marked with a triangle displayed permanently. The days Monday to Friday are selected on the screen at the top. Deselect day of the week with the - key.
- Press the ENTER key. The settings are saved. COPY flashes three times. Setting is complete.



Frost Protection

In MANUAL OFF operating mode and Auto operating mode (time block OFF), frost protection takes place. If the room temperature is 5° C or less, the heating device is switched on automatically.

Adaptive Start

This function guarantees that, in automatic mode (week program), the set room temperature is achieved exactly at the start of the switch-on time.

Example:

In the timer menu, a set room temperature of 22°C is specified. The current room temperature is 17° C. The heating device switches on early so that the specified room temperature of 22° C is reached by 07:00.



- Use the MODE key to select the operating mode AUTO
- Press and hold the + and - keys for three seconds
- ECO appears
- Activate / deactivate the function with the +/- keys:
- ON = Adaptive start activated
- OFF = Adaptive start deactivated
- Press the ENTER key. Setting is saved.

Options

Key Lock

This function can be used to lock the operating elements

- Press and hold the ENTER key and MODE key for one second
- The LOCKED key symbol appears in the display.
- To unlock, press and hold the ENTER key and the MODE key at the same time again

NOTE: No settings can be made if the key lock is activated

Error Codes

Product will display following error codes in case of fault

Fault Code	Description
50C	If the current temperature is below 5°C, the antifreeze protection is activated and the product will heat the room.
--:--	Temperature sensor failure

Factory Reset

Return all settings & time profiles to factory pre-sets

- Turn off the product.
- Press and hold the PROG & ENTER key and switch on the product.
- Follow the key sequence as '-' Key, '+' key, PROG key, MODE key, ENTER key and '-' key again.
- The successful key sequence will end with blinking of led/indicator light twice and programme will clear all settings and timer profiles.

Your Guarantee



To view the full guarantee terms and conditions scan this QR code using your smartphone or go to <https://www.gdhv.co.uk/guarantee-terms-and-conditions>.

Your Product is manufactured by Glen Dimplex UK operating as Glen Dimplex Heating & Ventilation. GDHV designs and manufactures products to ensure they deliver reliable service for normal use in domestic dwellings and, where specified by us, in light commercial premises.

GDHV products are individually tested before leaving the factory, Your product comes with a 2 year parts and labour guarantee for repair or replacement of faulty goods and/or partial refund in the event that a repair or replacement is not available.

Your guarantee is provided by Glen Dimplex UK Ltd operating as Glen Dimplex Heating & Ventilation Ltd, Millbrook House, Grange Drive, Southampton SO30 2DF. Terms and conditions apply.

The GDHV guarantee does not in any way diminish or affect your statutory consumer rights in connection with your product.



If you experience a problem with your product during or after the guarantee period, visit our online help centre:

support.credaheating.co.uk

Please note for support you will need the model and serial number of your product and a description of the fault which has occurred.

Recycling



For electrical products sold within the European Community. At the end of the electrical product's useful life it should not be disposed of with household waste. Please recycle where facilities exist. Check with your Local Authority or retailer for recycling advice in your country. Batteries should be disposed of or recycled in accordance with WEEE Directive 2012/19/EU. Packaging should be recycled where possible.