



OPERATING INSTRUCTION MANUAL



Dimplex Optiflame Stove Fire

Models: Leckford LEC20, Fullerton FLN20

EN: This product is only suitable for well insulated rooms or occasional use. DE: Dieses Produkt ist nur für gut isolierte Bereiche oder gelegentliche Verwendung geeignet. FR: Ce produit convient uniquement à des endroits bien isolés ou pour un usage occasionnel. IT: Questo prodotto è adatto solo per spazi ben isolati o per uso occasionale. ES: Este producto sólo es adecuado para espacios bien aislados o un uso ocasional. NL: Dit product is uitsluitend geschikt voor goed geïsoleerde ruimten of voor sporadisch gebruik. PL: Produkt ten jest odpowiedni wyłącznie do dobrze odizolowanych miejsc lub do okazjonalnego użytku. NO: Dette produktet egner seg kun for godt isolerte rom eller sporadisk bruk. RO: Acest produs este adecvat exclusiv spațiilor bine ventilate sau utilizării ocazionale. CZ: Tento výrobek je vhodný pouze do dobře izolovaných prostor nebo k příležitostnému použití. DK: Dette produkt er kun egnet til velisolerede rum eller lejlighedsvis brug. PT: Este produto somente é adequado para espaços bem isolados ou uso ocasional. SE: Denna produkt är endast avsedd för välisolerade utrymmen eller tillfällig användning. FI: Tämä tuote soveltuu ainoastaan hyvin eristettyihin tiloihin tai satunnaiseen käyttöön. SK: Tento výrobok je vhodný len pre dobre izolované priestory alebo na občasné použitie. SI: Ta izdelek je primeren le za dobro izolirane prostore ali za občasno uporabo. HR: Ovaj proizvod je pogodan samo za dobro izolirane prostore ili povremenu upotrebu. HU: Ez a termék csak jól szigetelt terekhez vagy eseti használatra alkalmas



The product complies with the required Product Safety, Electromagnetic Compatibility and Environmental Standards. This product is fully compliant with LVD, EMC, RoHs and EcoDesign Directives

CAUTION: FAILURE TO FOLLOW THESE INSTRUCTIONS MAY CAUSE INJURY AND/OR DAMAGE AND MAY INVALIDATE YOUR GUARANTEE

Important Safety Advice

When using electrical appliances, basic precautions should always be followed to reduce the risk of fire, electrical shock and injury to persons, including the following:

- If the appliance is damaged, check with the supplier before installation and operation.
- Do not use outdoors.
- Do not use in the immediate surroundings of a bath, shower or swimming pool.
- Do not locate the appliance immediately below a fixed socket outlet or connection box.
- Do not use this heater if it has been dropped.
- Do not use if there are visible signs of damage to the heater.
- Use this heater on a horizontal and stable surface, or fix it to the wall, as applicable

Warning: This heater must not be used for anything other than normal domestic household purposes in the country where it was purchased from a recognised commercial retailer.

This appliance can be used by children aged from 8 years and above and persons with reduced physical, sensory or mental capabilities, or lack of experience and knowledge as long as they have been given supervision or instruction concerning use of the appliance in a safe way and understand the hazards involved. Children shall not play with the appliance. Cleaning and user maintenance shall not be undertaken by children without supervision.

Children of less than 3 years should be kept away from the appliance unless continuously supervised. Children aged from 3 years and less than 8 years shall only switch on/off the appliance, provided that it has been placed or installed in its intended normal operating position and they have been given supervision or instruction concerning use of the appliance in a safe way and understanding the hazards involved. Children aged from 3 years and less than 8 years shall not plug in, regulate and clean the appliance or perform user maintenance.

Do not use this appliance in series with a thermal control, a program controller, a timer or any other device that switches on the heat automatically, since a fire risk exists when the appliance is accidentally covered or displaced.

Although this appliance complies with safety standards, we do not recommend its use on deep pile carpets or the long hair type of rugs.

In the event of a fault, unplug the appliance. Unplug the appliance when not required for long periods.

The appliance must be positioned so that the plug is accessible. If the supply cord is damaged it must be replaced by the manufacturer or service agent or a similarly qualified person in order to avoid a hazard. Keep the supply cord away from the front of the appliance.

Warning: Do not use this heater in small rooms when they are occupied by persons not capable of leaving the room on their own, unless constant supervision is provided.

Warning: To reduce the risk of fire, keep textiles, curtains, or any other flammable material a minimum distance of 1m from the air outlet.

Caution: Some parts of this product can become very hot and cause burns. Particular attention has to be given where children and vulnerable people are present. This instruction can be found at www.dimplex.co.uk

Warning: In order to avoid overheating, do not cover the heater. Do not place material or garments on the appliance, or obstruct the air circulation around the appliance, for instance by curtains or furniture, as this could cause overheating and a fire risk.

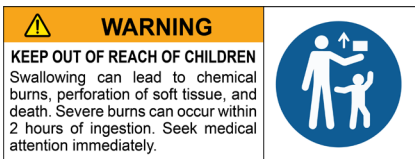
The appliance carries a Do Not Cover label or the Warning Symbol shown here on the right. This symbol indicates that it must not be covered. Do not cover or obstruct the heat outlet grill in any way. This is located above the flame window on the appliance.



Warning: In order to avoid a hazard due to inadvertent resetting of the thermal cut-out, this appliance must not be supplied through an external switching device, such as a timer, or connected to a circuit that is regularly switched on and off by the utility.

WARNING: KEEP BATTERIES OUT OF REACH OF CHILDREN

1. Swallowing may lead to serious injury in as little as 2 hours or death, due to chemical burns and potential perforation of the oesophagus.
2. If you think batteries might have been swallowed or placed inside any part of the body seek immediate medical attention
3. Examine devices and make sure the battery compartment is correctly secured, e.g. that the screw or other mechanical fastener is tightened. Do not use if the compartment is not secure.
4. Dispose of used button batteries immediately and safely. Flat batteries can still be dangerous.



CAUTION: No obvious symptoms

Unfortunately, it is not obvious when a button or coin battery is stuck in a child's oesophagus (food pipe).

There are no specific symptoms associated with this. The child might:

- cough, gag or drool a lot;
- appear to have a stomach upset or a virus;
- be sick;
- point to their throat or stomach;
- have a pain in their abdomen, chest or throat;
- be tired or lethargic;
- be quieter or more clingy than usual or otherwise "not themselves";
- lose their appetite or have a reduced appetite; and
- not want to eat solid food/be unable to eat solid food.

These sorts of symptoms vary or fluctuate, with the pain increasing and then subsiding.

A specific symptom to button and coin battery ingestion is vomiting fresh (bright red) blood. If the child does this seek immediate medical help.

The lack of clear symptoms is why it is important to be vigilant with "flat" or spare button or coin batteries in the home and the products that contain them.

Dimplex Optiflame Stove Fire

Models: Leckford LEC20, Fullerton FLN20

Thank you for choosing a Dimplex electric fire.

General Information

Unpack the heater carefully and retain the packaging for possible future use, in the event of moving or returning the fire to your supplier.

These models are designed to be free standing and are normally positioned against a wall.

The fire incorporates a flame effect, which can be used with or without heating, so that the comforting effect may be enjoyed at any time of the year. Using the flame effect on its own only requires little electricity.

A choice of 1kW or 2kW heat output is provided by the fan heater, which is located at the bottom of the unit.

Before connecting the heater check that the supply voltage is the same as that stated on the heater.

Please note: Used in an environment where background noise is very low, it may be possible to hear a sound which is related to the operation of the flame effect. This is normal and should not be a cause for concern.

Technical Information

Model No: LEC20, FLN20

Heat Output		230V	240V	
Nominal Heat Output	P_{Nom}	1.7	1.9	kW
Minimum Heat Output	P_{min}	0.9	0.9	kW
Maximum Continuous Heat Output	$P_{max,c}$	1.7	1.9	kW
Auxiliary Electricity Consumption		0	0	kW
In Standby Mode	eI_{SB}	0.38	0.41	W

with mechanic thermostat room temperature control.

Electrical connection

WARNING – THIS APPLIANCE MUST BE EARTHED.

This heater must be used on an AC ~ supply only and the voltage marked on the heater must correspond to the supply voltage. Before switching on, please read the safety warnings and operating instructions.

Operating The Product

Controls - see Fig. 2

These main ON/OFF switch must first be turned ON to operate any of the other controls.

Setting

Flame Effect

Flame Effect & 1kW heat

Flame Effect & 2kW heat

To turn off any of the settings

Operation

Press the '1' button once

Press the '1' button again

Press the '1' button again

Press the '⏻' button once.

Indication

Bottom Neon

Bottom & middle neon

All 3 neons

Operating The Product

Top Light

The unit is supplied with a top light to illuminate the fuel bed. This feature can be switched between on or off depending on your preference. Simply sliding the cover back and forth allows you to control this light.

LED indicators - see Fig. 3

Three LED's as shown in Fig. 3 indicate the setting for a couple of seconds every time you change the setting.

One LED means ON (flame effect only, no heat), two LED's means 1kW heat and all three LED's are on to indicate full 2kW heat setting.

Remote control - see Fig. 4

The maximum range of use is ~ 5metres.

The buttons on the remote control have the same function as the swiches on the heater.

For details on the function please refer to the 'Controls' section above.

Warning: It takes time for the receiver to respond to the transmitter.

Do not press the buttons more than once within two seconds for correct operation.

Battery information - see Fig. 4

1. To activate the remote control remove the battery isolation strip, which is used to ensure your remote control reaches you fully charged.

2. Remove the screw, follow the instruction on the back of the remote to release the battery housing. Slide the battery cover open. Install Lithium battery in the battery holder. The positive (+) side of the battery faces up. Close the battery cover and replace the screw

3. Only use CR2025 or CR2032 size of batteries.

Discard leaking batteries

Dispose of batteries in the proper manner according to provincial and local regulations.

Any battery may leak electrolyte if mixed with a different battery type, if inserted incorrectly, if all the batteries are not replaced at the same time, if disposed of in a fire, or if an attempt is made to charge a battery not intended to be recharged.

Thermostat (T) - see Fig. 2

In order to maintain a certain room temperature, set the controller to 'max.'. Operate the appliance at full power until the required room temperature is reached. Set back the thermostatic controller until the appliance switches off with an audible "click". This temperature will be kept almost constant by the thermostatic control switching on and off automatically. Please note that the appliance can only be switched on when the thermostat setting is higher then the room temperature.

Instructions for fitting Coal Option - see Fig. 5

Introduction

Your fire is provided with a coal effect option. Simply follow the instructions given below.

Removal of Log Effect

Remove the screws securing the log effect assembly and slide out (see Fig. 5).

Fitting Coal Effect

Fit the coal effect in position and secure with the screws (see Fig. 5).

Place the coal lumps on the fuel bed. A plastic glove is provided for handling the coal.

Note: The log effect should be stored away for possible future use.

Maintenance

WARNING: ALWAYS DISCONNECT FROM THE POWER SUPPLY BEFORE CLEANING THE HEATER.

Cleaning

Before commencing cleaning, unplug the heater and allow it to cool. For general cleaning use a soft clean duster – never use abrasive cleaners. The glass viewing screen should be cleaned carefully with a soft cloth. DO NOT use proprietary glass cleaners.

To remove any accumulation of dust or fluff the soft brush attachment of a vacuum cleaner should occasionally be used to clean the outlet grille of the fan heater.

Light Emitting Diode

This fire is fitted with LED (Light Emitting Diode) lamps. These LED lamps are maintenance-free and should not require replacing during the life of the product.

CAUTION: Assembly, installation and repair of this heater must be carried out by Dimplex or its authorised agent.

Thermal Safety Cut-out

The built-in overheat cut-out switches off the appliance automatically in the event of a fault. If this occurs switch off the appliance or disconnect the mains plug from the socket. Remove any obstructions which may have caused the overheating. After a short cooling down phase, the appliance is ready for use again. If the fault should occur again, see your local dealer.

Additional Information

Recycling



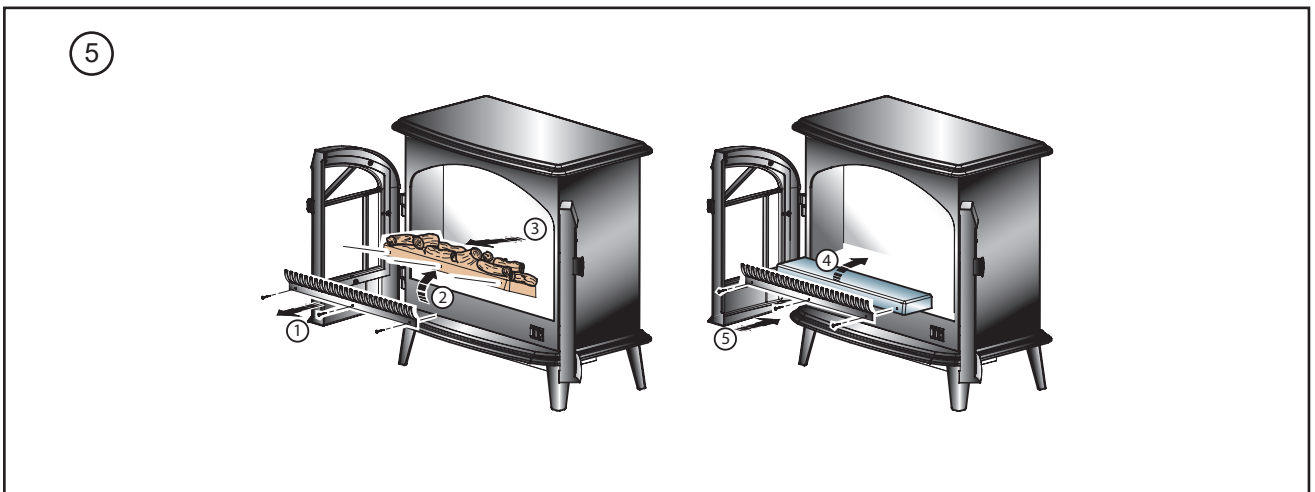
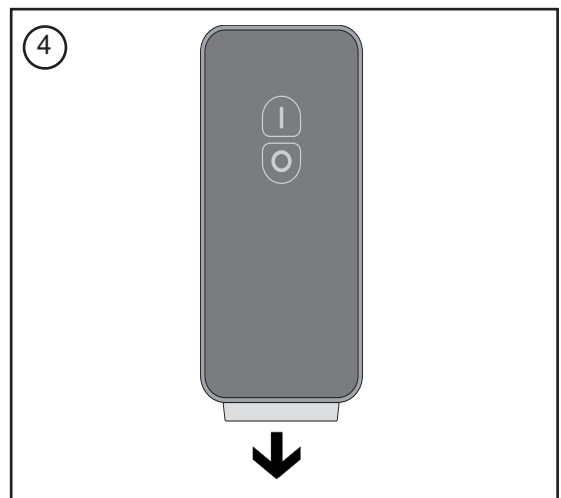
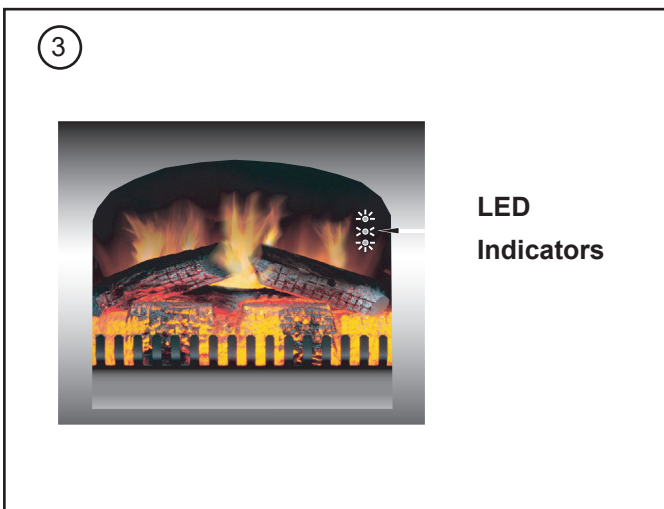
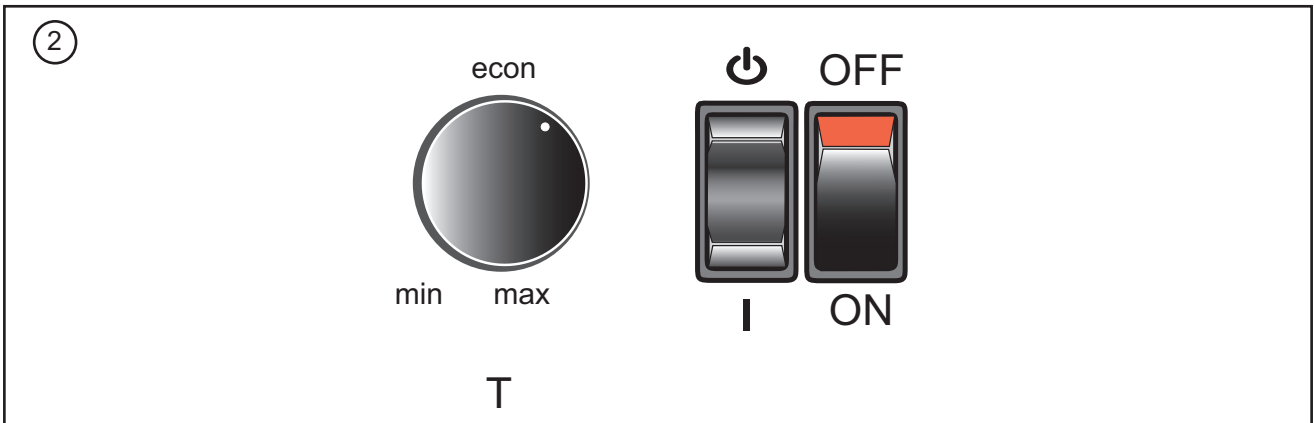
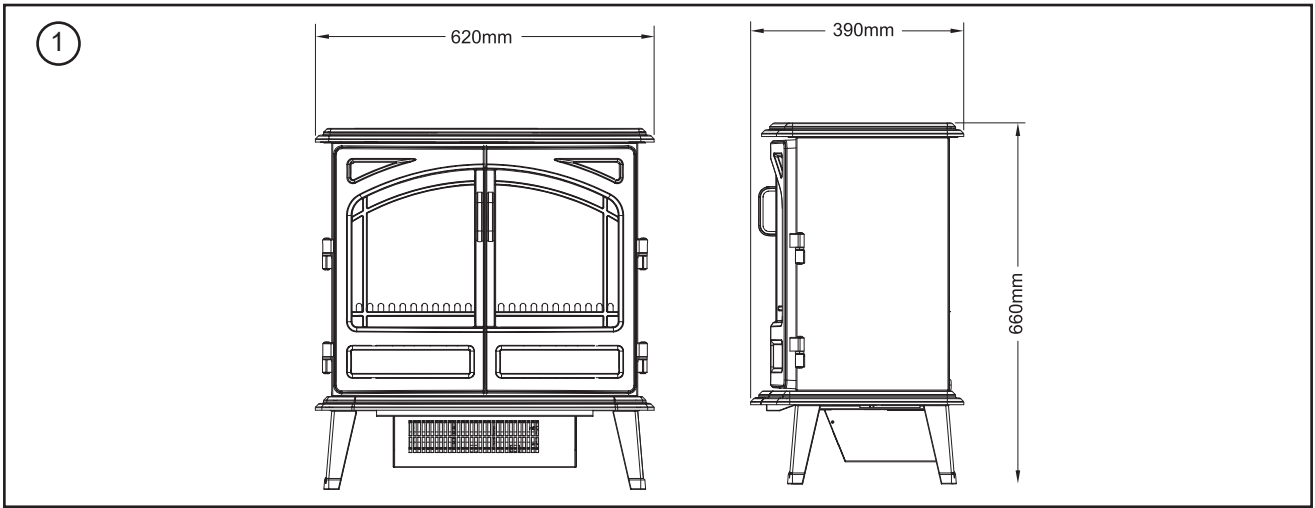
At the end of the electrical products useful life it not be disposed of with household waste. Please recycle where facilities exist. Check with your Local Authority or retailer for recycling advice in your country.

After Sales Service

Your product is guaranteed for one year from the date of purchase. Within this period, we undertake to repair or exchange this product free of charge provided it has been installed and operated in accordance with these instructions. Your rights under this guarantee are additional to your statutory rights, which in turn are not affected by this guarantee.

CAUTION: Do not use if the heater's mains power lead is damaged. Such use may cause a hazard. If damaged, the mains power lead must be replaced by the manufacturer or its authorised dealer.

Should you require after sales information or assistance with this product please go to **www.dimplex.co.uk** where you will find our self help guide by clicking our "After Sales" or ring our help desk on 0344 879 3588 (UK) or 01 842 8222 (R. O. I.). Spare parts are also available on the web site. Please retain your receipt as proof of purchase.



Tel: 0344 879 3588

Republic of Ireland Tel: 01 8428 222

www.dimplex.co.uk



Dimplex Millbrook House, Grange Drive, Hedge End, Southampton, SO30 2DF

© Glen Dimplex Heating and Ventilation.

All rights reserved. Material contained in this publication may not be reproduced in whole or in part, without prior permission in writing of Glen Dimplex Heating and Ventilation.