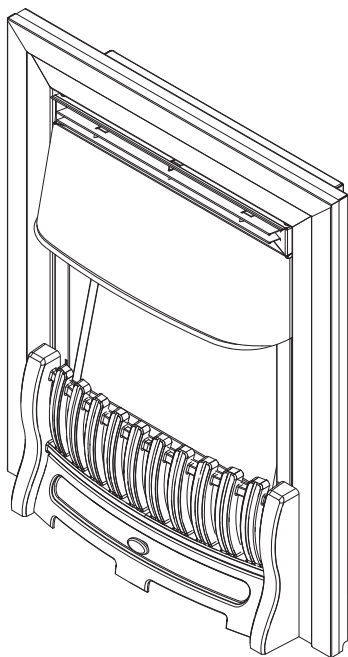
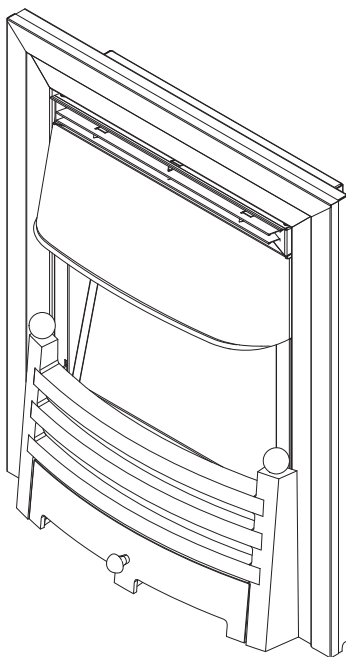




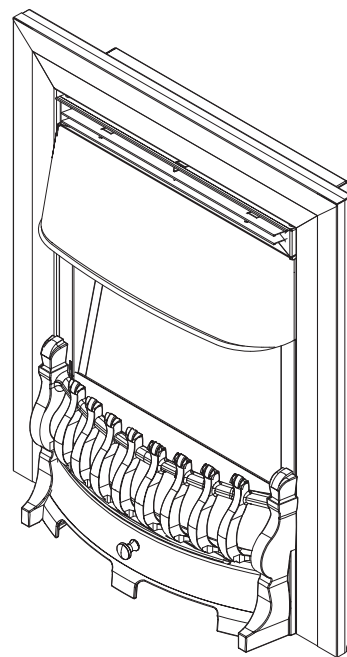
DIMENSION ELECTRIC RANGE



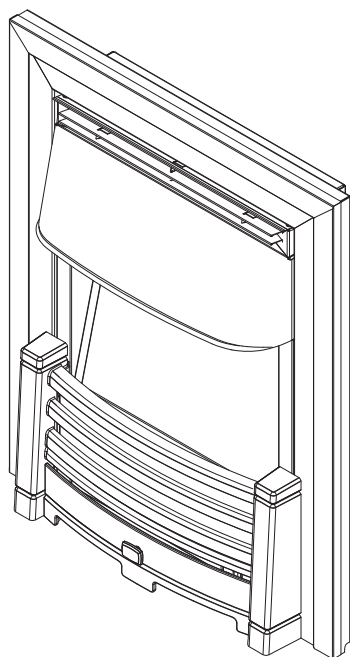
ALTON DIMENSION



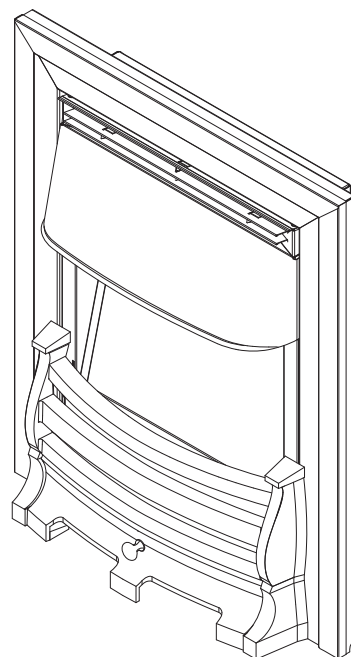
BAUHAUS DIMENSION



BLENHEIM DIMENSION



CLIFTON DIMENSION



DOWNTON DIMENSION

8/53139/0 (UK) Issue 2

Dimension Inset Electric Fire

Introduction

Thank you for choosing this Valor electric fire. Please read this information guide carefully in order to safely install, use and maintain your product.

Important Safety Advice

When using electrical appliances, basic precautions should always be followed to reduce the risk of fire, electrical shock and injury to persons, including the following:

1. OVERHEATING

WARNING: In order to avoid overheating, do not cover the heater. Do not place material or garments on the heater, or obstruct the air circulation around the heater. The heater carries a DO NOT COVER warning.

2. DAMAGE.

If the appliance is damaged, check with the supplier before installation and operation. If the supply cord is damaged it must be replaced by the manufacturer or service agent or a similarly qualified person in order to avoid a hazard.

3. LOCATION

Do not use outdoors.

Do not use in the immediate surroundings of a bath, shower or swimming pool.

Do not locate the heater immediately below a fixed socket outlet or connection box.

Ensure that furniture, curtains or other combustible material are positioned no closer than 1 metre from the heater.

4. PLUG POSITIONING

The appliance must be positioned so that the plug is accessible.

Keep the supply cord away from the front of the heater.

5. USE OF OTHER CONTROLS

Do not use this heater in series with a thermal control, a program controller, a timer or any other device that switches on the heat automatically, since a fire risk exists when the heater is accidentally covered or displaced.

6. UNPLUGGING

In the event of a fault unplug the device. Unplug the device when not required for long periods.

7. OWNER/USER

WARNING: This heater is not equipped with a device to control the room temperature. Do not use this heater in small rooms when they are occupied by persons not capable of leaving the room on their own, unless constant supervision is provided.

This appliance can be used by children aged from 8 years and above and persons with reduced physical, sensory or mental capabilities or lack of experience and knowledge if they have been given supervision or instruction concerning use of the appliance in a safe way and understand the hazards involved. Children shall not play with the appliance. Cleaning and user maintenance shall not be made by Children without supervision. Children of less than 3 years should be kept away unless continuously supervised. Children aged from 3 years and less than 8 years shall only switch on/off the appliance provided that it has been placed or installed in its intended normal operating position and they have been given supervision or instruction concerning use of the appliance in a safe way and understanding the hazards involved. Children aged from 3 years and less than 8 years shall not plug in, regulate and clean the appliance or perform user maintenance.

CAUTION - Some parts of this product can become very hot and cause burns. Particular attention has to be given where children and vulnerable people are present.

8. ELECTRICITY

WARNING – THIS APPLIANCE MUST BE EARTHED.

This heater must be used on an AC ~ supply only and the voltage marked on the heater must correspond to the supply voltage. Before switching on, please read the safety advice and operating instructions.

General Information

The fire incorporates a flame effect, which can be used with or without heating, so that the comforting effect may be enjoyed at any time of the year. Using the flame effect on its own requires little electricity. A choice of 650W or 1.3kW heat output is provided by the fan heater which is located at the top of the unit.

Please note: If used in an environment where background noise is very low, it may be possible to hear a sound which is related to the operation of the flame effect. This is normal and should not be a cause for concern.

Before switching on the appliance, please read the safety warnings and operating instructions.

Installation Instructions

This section describes how to set up your fire.

Before installing this appliance in an existing chimney, we recommend that;

1. You have your chimney cleaned by a competent chimney sweep.
2. You block off the chimney flue.

This procedure is important for the efficient operation of the heating unit and will also reduce heat loss up the chimney.

BEFORE YOU START

1. Ensure that all packing items are removed (read any warning labels carefully) and retain all packing for possible future use e.g. in the event of moving house or returning the appliance to your supplier.
2. Ensure the appliance is disconnected from the power supply before installation.
3. Before connecting the appliance, check that the supply voltage is the same as that stated on the heater.

INSTALLATION

The appliance must be secured into position to prevent it from being tipped over. There are a number of methods to fix the appliance in place.

- Method A - Screwing the appliance to the fireplace surround
- Method B - Securing the appliance to the back of the fireplace with the steel cable and clamp
- Method C - Securing the appliance with optional spacer frame

Note - If fixing to a marble fireplace surround, it is recommend that Method B is used.

The appliance can be fitted into fireplaces or surrounds where the following dimension are available (Fig. 1).

Width: 410mm - 450mm Height: 560mm - 590mm Depth: 65mm (Minimum)

Method A (Fig. 2)

Place the appliance into the fireplace opening and ensure the appliance is positioned in the middle of the opening. Locate the four fixing holes in the side flanges (Fig. 2). Mark the holes so that their position is clear when the appliance is removed. With the appliance removed, drill an appropriate size hole in each of the marked positions for the wall plug supplied. Insert the four wall plugs and reposition the appliance, aligning the holes with the wall plugs. Using the four wood screws supplied, secure the appliance in position.

Method B (Fig. 3 & Fig. 4)

Note: This method of securing is recommended when it is not suitable to screw the appliance to the fireplace surround. The fixing kit supplied with the appliance includes a steel cable, eyescrew and cable clamp. These items can be used to secure the appliance in place. Begin by marking a hole in the centre of the back of the fireplace approximately 565-575mm from the bottom of the fireplace (Fig. 3). Drill an appropriate size hole in the marked position, insert a wall plug and screw the eyescrew into the wall plug. Re-position the appliance in front of the opening but do not insert it into the opening. Locate the two same sized small holes at the top of the side flanges of the fire chassis. Thread about 300mm of the steel cable into the bottom small hole on the left hand side flange of the appliance (Fig. 4 - Step 1). Thread the other end of the cable through the remaining small hole directly above the other small hole. Continue to push the cable through this hole until the cable locks into place (Fig 4a). (In order to get the cable to snap into place, both ends of the cable may need to be pulled from the rear of the appliance.)

Next, thread the longer piece of cable through the eyescrew at the back of the fireplace opening (Fig. 4 - Step 2). From the back of the appliance, thread the longer piece of wire through the top small hole on the right hand side flange of the fire chassis (Fig. 4 - Step 3).

Locate the appliance in the fireplace opening. From the front of the appliance, gently pull the longer piece of cable that should be coming out the top small hole on the right hand side. Gather up the excess in the cable until the cable becomes taut and the appliance is secured. Thread the clamp over the end of the cable and push it so that it rests on the side flange of the fire chassis. While pulling the longer piece of cable tight, screw the small screw supplied with the cable and clamp into the clamp so that it secures the cable in place. Thread the remaining piece of cable through the large hole to the left of the small hole. (Fig 4b).

Method C (Fig. 5 & Fig. 6)

Note: The optional spacer frame enables the appliance to be fixed against a flat wall. For your safety, the frame and the appliance must be securely fixed to the wall/surround.

Fitting the spacer Frame to the Wall/Surround

Identify the rear of the spacer frame which has two fixing slots on the top rear flange. Position the rear of the spacer frame flat against the wall. Ensure that the spacer is central to the fireplace and that the legs are positioned correctly and are upright. Mark the upper position of the fixing slots on the wall (Fig 5). Remove the spacer frame and drill a hole on the marked locations using a suitable sized masonry drill bit for the supplied wall plugs. Insert two wall plugs into the holes, then screw in two wood screws in to the wall plugs until approximately 6mm of screw is left protruding from the wall.

Fitting the Spacer Frame to the Appliance

The spacer frame is secured to the appliance in four positions (Fig. 6). Secure the spacer frame to the appliance using the four No.8 x 3/8 screws supplied.

Fitting the Appliance with Spacer Frame

Carefully lift the appliance and locate the slots on the rear of the spacer frame onto the screws in the wall. The screws can be adjusted to ensure a tight fit. When mounting to decorative surfaces such as wallpaper, care must be taken not to drag the appliance down the wall as it may damage the decorative surface.

Fitting the Decorative Fascia to the Appliance (Fig. 7 - Fig. 10)

Fitting the Fascia Frame

Remove the fascia frame from its packaging. Attach the four large fascia frame magnets to the side flanges of the appliance in the approximate locations shown in Fig. 8. Line up the fascia frame with the appliance and ensure the magnets are positioned correctly so that they fit inside the fascia frame. Push the fascia frame onto the appliance until the magnets lock the fascia frame in place.

Fitting the Fascia Trims

Carefully remove the fascia trims from their packaging, taking care not to scratch their outer surfaces and taking care of any burrs that may be present on the edge of the trims. Attach the six small trim magnets to the fascia frame in the approximate locations shown in Fig. 9. Attach the two side fascia trims on to the outer edges of the fascia frame, then attach the top fascia trim. The trim magnets may have to be repositioned so that the trims sit flat on the fascia frame.

Fitting the Plastic Infill Trim (Alton, Bauhaus, Clifton & Downton models only)

Remove the plastic infill trim from its packaging. Locate the four tabs on the rear of the plastic infill trim into the four corresponding slots on the front of the appliance. Push the infill trim downwards so that the tabs lock in place (Fig. 10)

Fitting the Fret and Ash Pan

Remove the fret, ash pan and metal infill from their packaging.

For the Blenheim model, locate the metal infill on the back of the fret as per the instruction leaflet in the fret packaging.

For the Alton, Bauhaus, Clifton and Downton models, the metal infill can be disregarded.






For the Bauhaus model, fit the two finials on top of the fret as per the instruction leaflet in the fret packaging.

Centre the fret in front of the appliance. Position the ash pan beneath the fret.

Operating the Fire

MANUAL CONTROLS

The manual controls are located at the base of the appliance. Remove the ash pan to access the controls (Fig 11a).The main switch controls the electricity supply to the appliance. The switch can be pressed on either side. Please see the table below for the functions that correspond to the switching sequence.

Switch Operation	Setting	Visual Indication
Press  Once	LED Hologram Effect On	Flame panel illuminated
Press  > > Once	LED Hologram & Flame Effect On	Flame movement within flame panel
Press  > > Again	Flame Effect & Half Heat On	1 Red LED behind flame panel
Press  > > Again	Flame Effect & Full Heat On	2 Red LED's behind flame panel
Press  Once	Fire is turned off	Flame panel becomes darkened

Two Red LED's as shown in Fig. 11b are located behind the flame panel and indicate the heat setting of the appliance. These LED's illuminate when a heat setting is selected and remain illuminated for approximately 3 seconds.

- One illuminated LED corresponds to Half Heat (650 Watts).
- Two illuminated LED's correspond to Full Heat (1300 Watts).

REMOTE CONTROL OPERATION

The two buttons on the remote control operate in the same way as the manual switch located at the base of the appliance. Operation of the remote control buttons corresponds to the switching sequence in the above table.

Please note that it takes time for the receiver to respond to the remote control. Do not press the buttons more than once within two seconds for correct operation.

BATTERY INFORMATION

1. Unclip the battery cover on the back of the remote control. (Fig. 12)
2. Install AAA batteries into the remote control, making sure to orient the positive and negative terminals correctly.
3. Replace the battery cover.

Discarding leaky batteries

Dispose of batteries in the proper manner according to national and local regulations. Any battery may leak electrolyte if mixed with a different battery type, if inserted incorrectly, if all the batteries are not replaced at the same time, if disposed of in a fire, or if an attempt is made to charge a battery not intended to be recharged.

THERMAL SAFETY CUT-OUT

A thermal safety cut-out is incorporated in the fan heater to prevent damage due to overheating. This can happen if the heat outlet is restricted in any way or if the chimney flue has not been blocked off effectively. The cut-out operates by cutting the power to the fan heater if the heater overheats. To restore power to the fan heater, unplug the appliance and leave it to rest for approximately 30 minutes. Once the temperature in the fan heater has reduced, plug the appliance in and power it back on. If the fan heater cuts out during operation, remove any obstruction that may be restricting the heat outlet before carrying out the above steps.

Maintenance

Cleaning

WARNING: ALWAYS DISCONNECT FROM THE POWER SUPPLY BEFORE CLEANING THE HEATER.

For general cleaning, use a soft clean duster - never use abrasive cleaners.

The flame panel should be cleaned carefully with a soft cloth.

To remove any accumulation of dust or fluff, the soft brush attachment of a vacuum cleaner should occasionally be used to clean the outlet grille of the fan heater.

There is a mirror located underneath the canopy. (Fig. 13) This may require cleaning to ensure a sharp clear holographic image.

Additional Information

AFTER SALES SERVICE

1 Year guarantee

Your product is automatically guaranteed for one year from the date of purchase. Within this period, we undertake to repair or exchange this product free of charge providing:

- a) Proof of purchase such as a sales receipt can be provided, showing that the appliance was bought within the 12-months prior to registering the defect/fault.
- b) The appliance was correctly installed and operated in accordance with the manufacturer's instructions and used solely for domestic purposes.
- c) The defect/fault was not as a result of accident, misuse, unauthorised modification or inexpert repair.

Consumable parts, such as fuses in plugs and bulbs, which require routine replacement are excluded from the guarantee.

Your rights under this guarantee are additional to your statutory rights, which in turn are not affected by this guarantee.

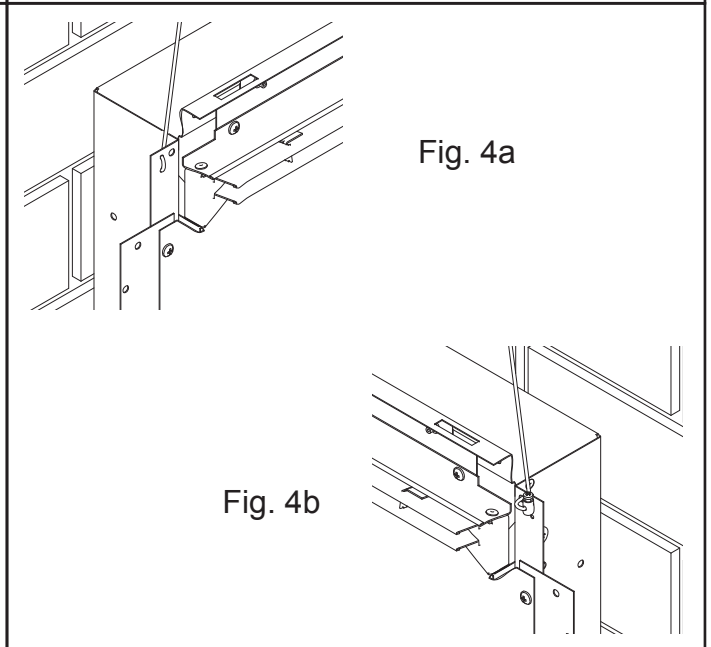
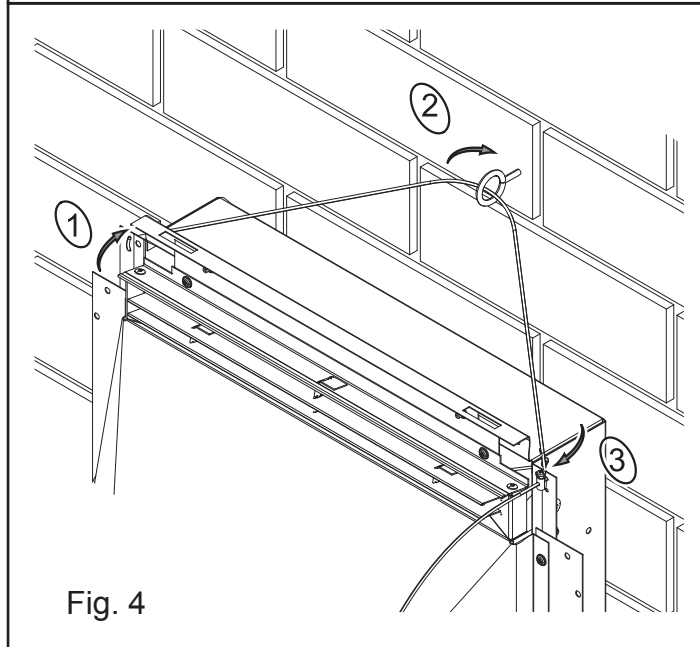
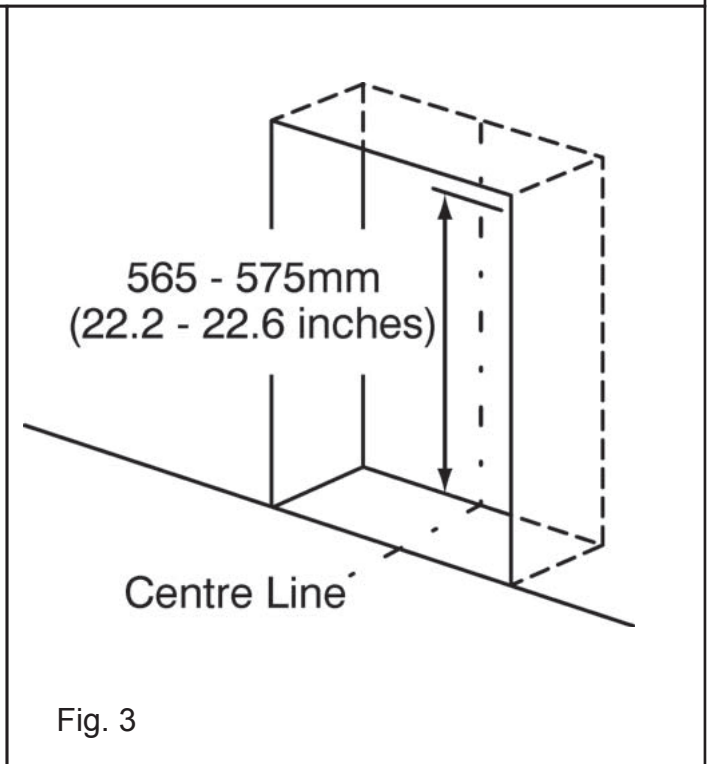
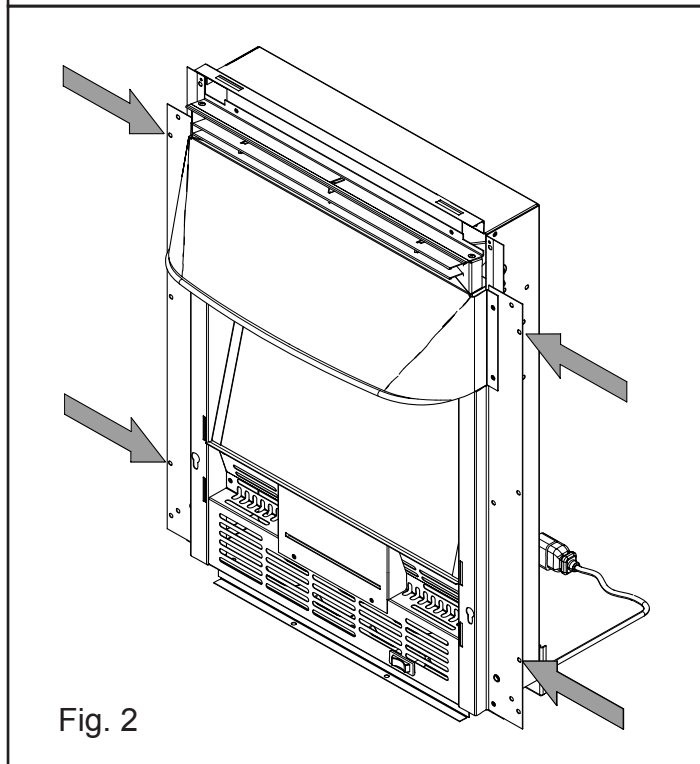
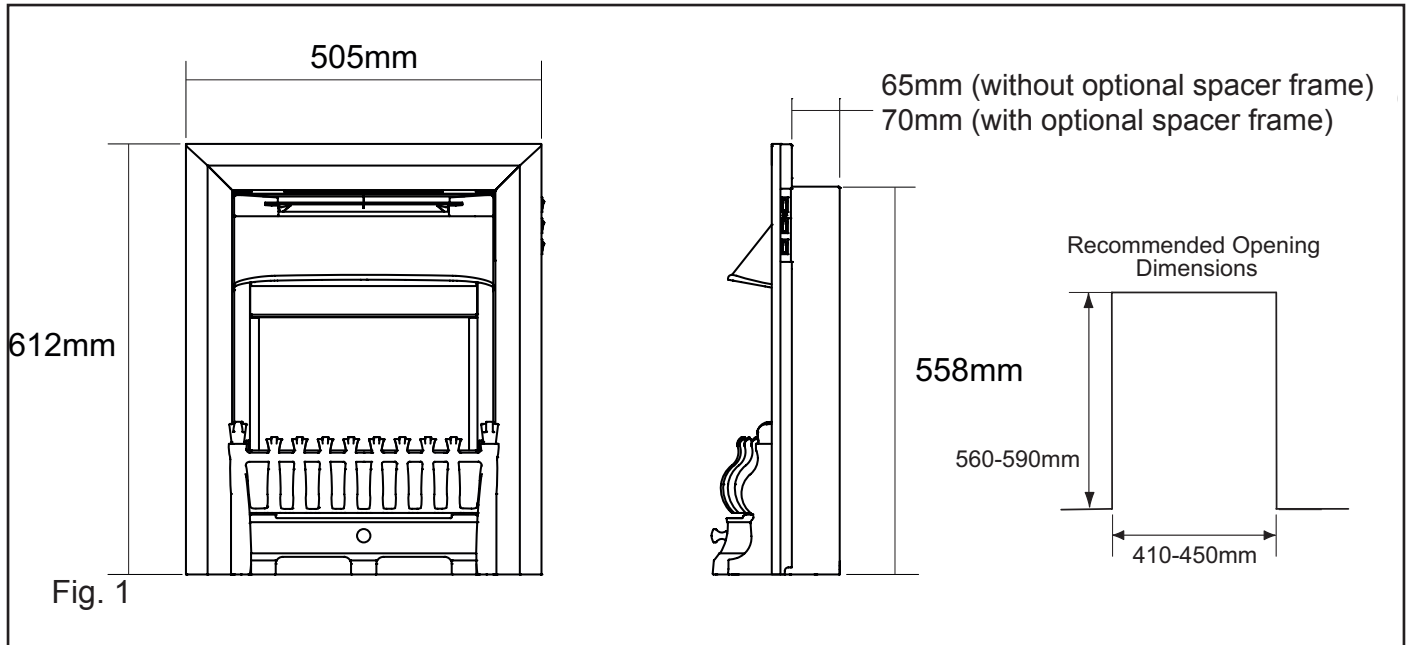
Should you require after sales information or assistance with this product please go to www.valor.co.uk where you will find our self help guide. Alternatively, call our help desk on **0844 879 3588 (UK)** or **01 842 4833 (R.O. I.)**.

Spare parts are also available on the website. Please retain your receipt as proof of purchase.

RECYCLING



For electrical products sold within the European Community. At the end of the electrical products useful life it should not be disposed of with household waste. Please recycle where facilities exist. Check with your Local Authority or retailer for recycling advice in your country.



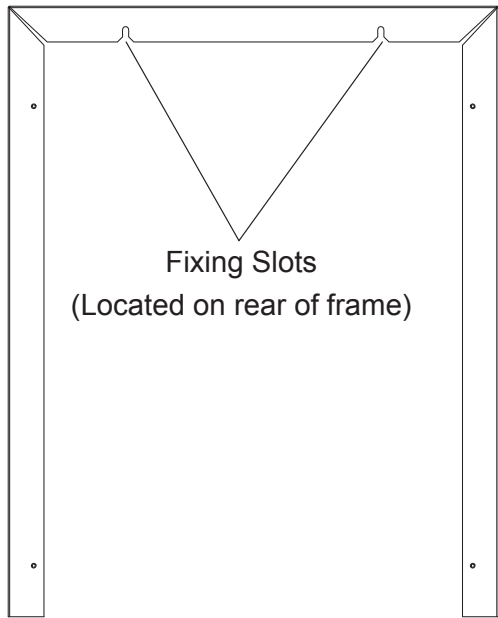


Fig. 5

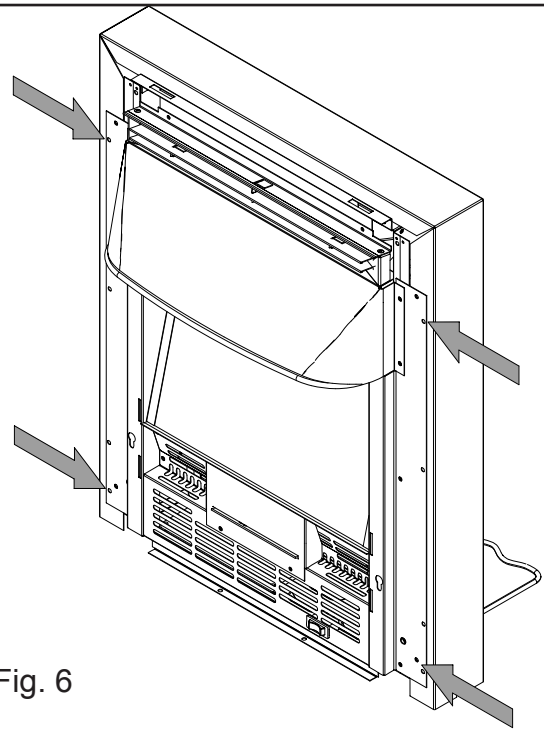


Fig. 6

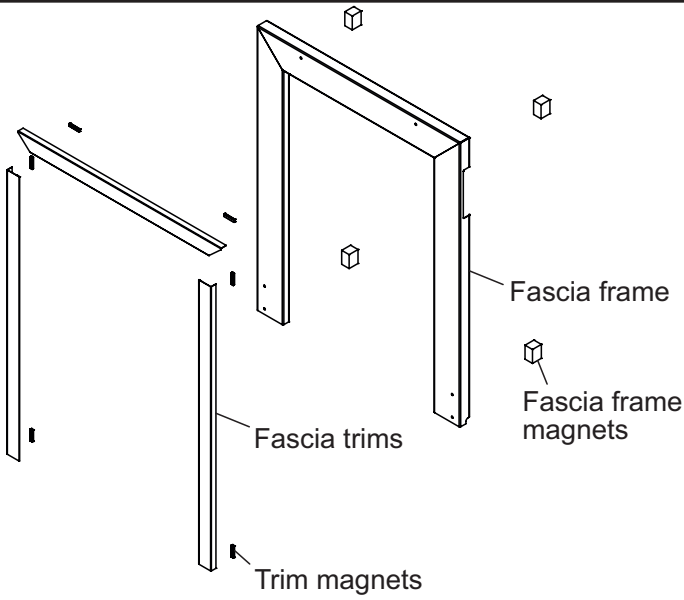


Fig. 7

Fascia Pack Contents

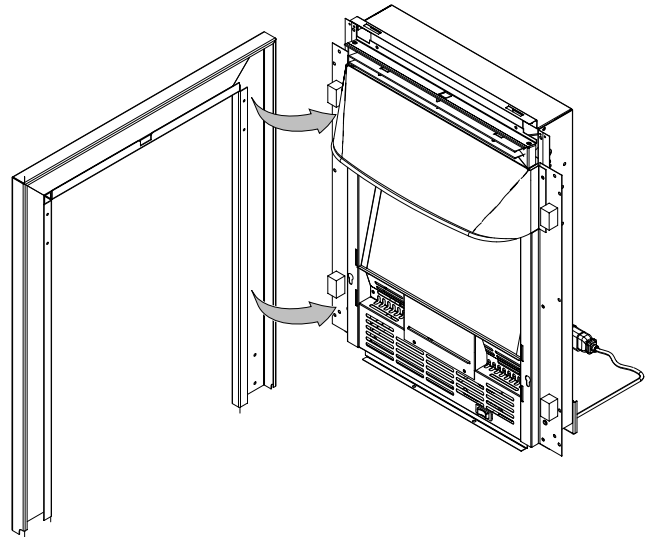


Fig. 8

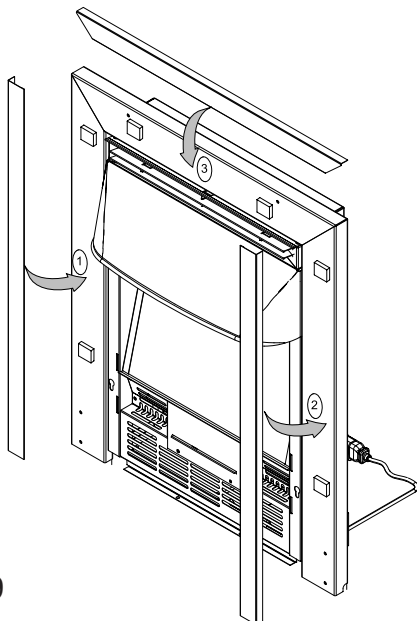


Fig. 9

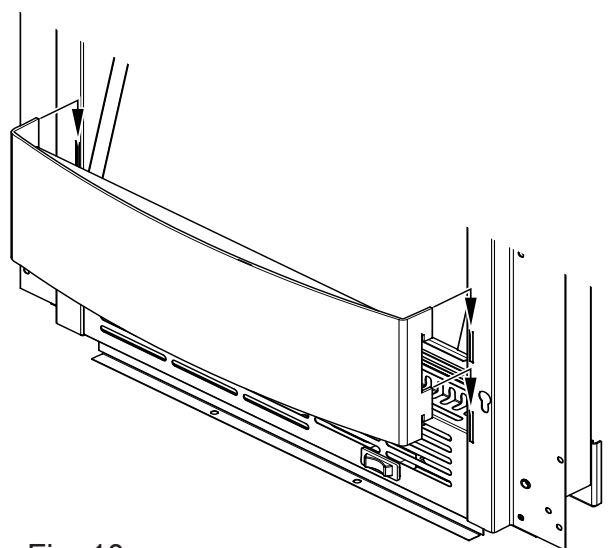
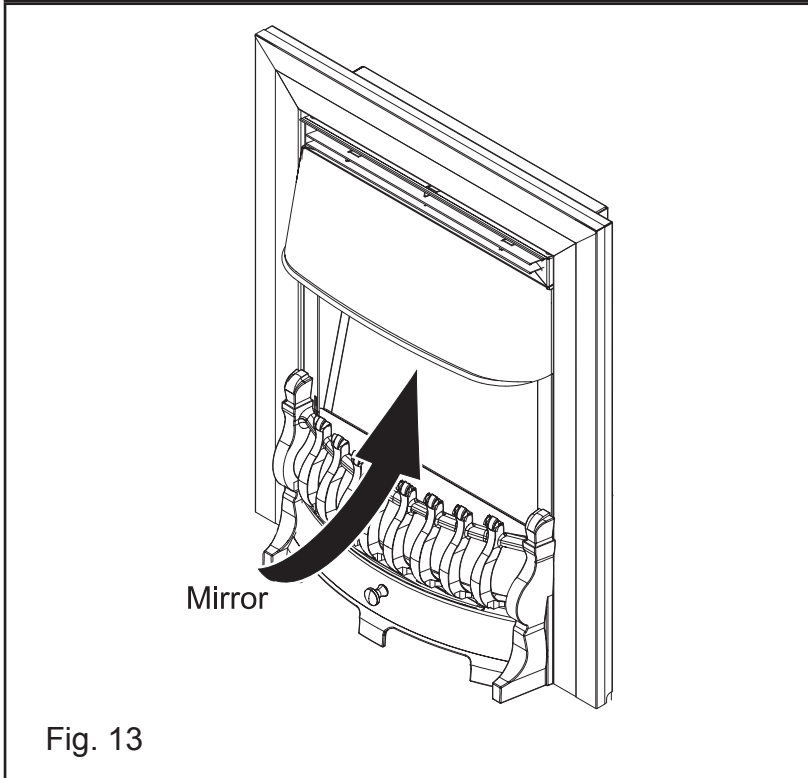
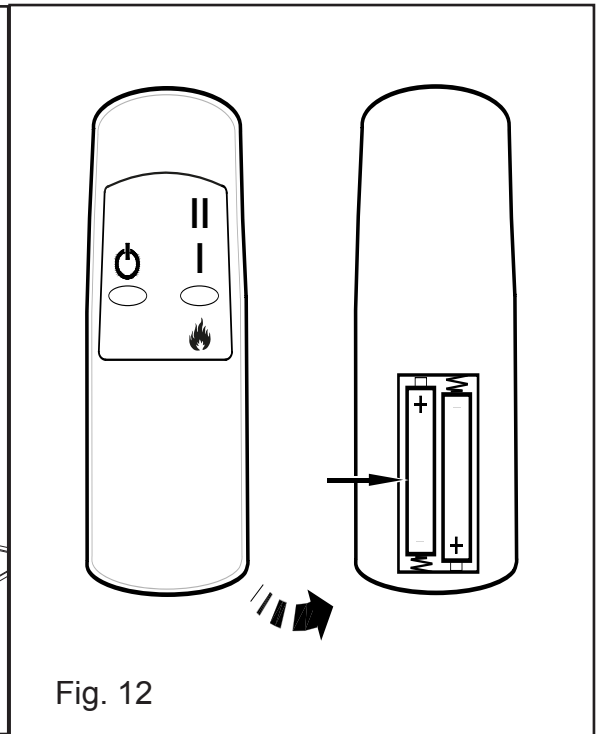
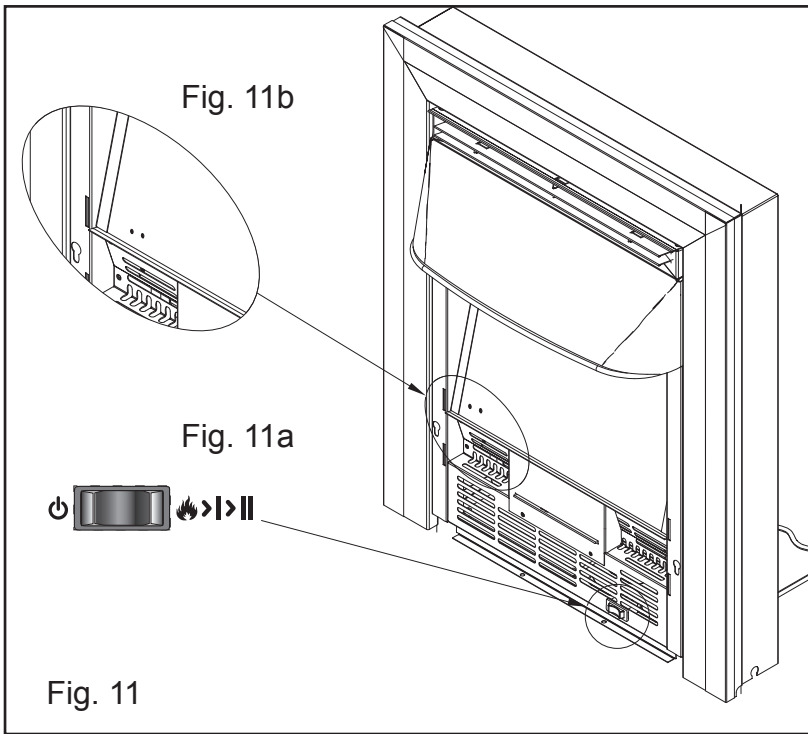


Fig. 10



Valor
 MILLBROOK HOUSE
 GRANGE DRIVE
 HEDGE END
 SOUTHAMPTON
 SO30 2DF

TEL: 0844 879 3588
 FAX: 0844 879 3583
 WEBSITE: www.valor.co.uk

Republic of Ireland

Tel. 01 8424833