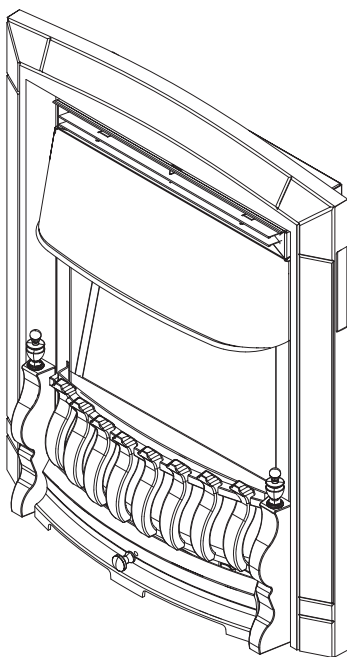
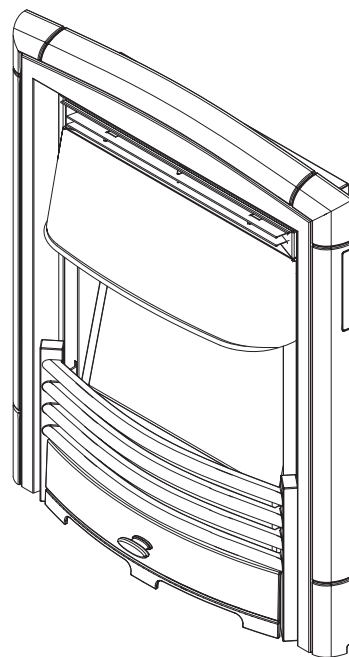




DIMENSION ELECTRIC RANGE

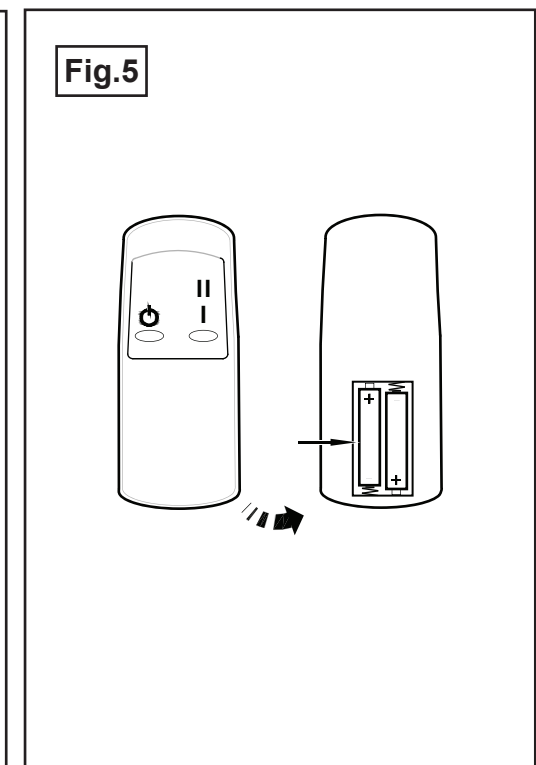
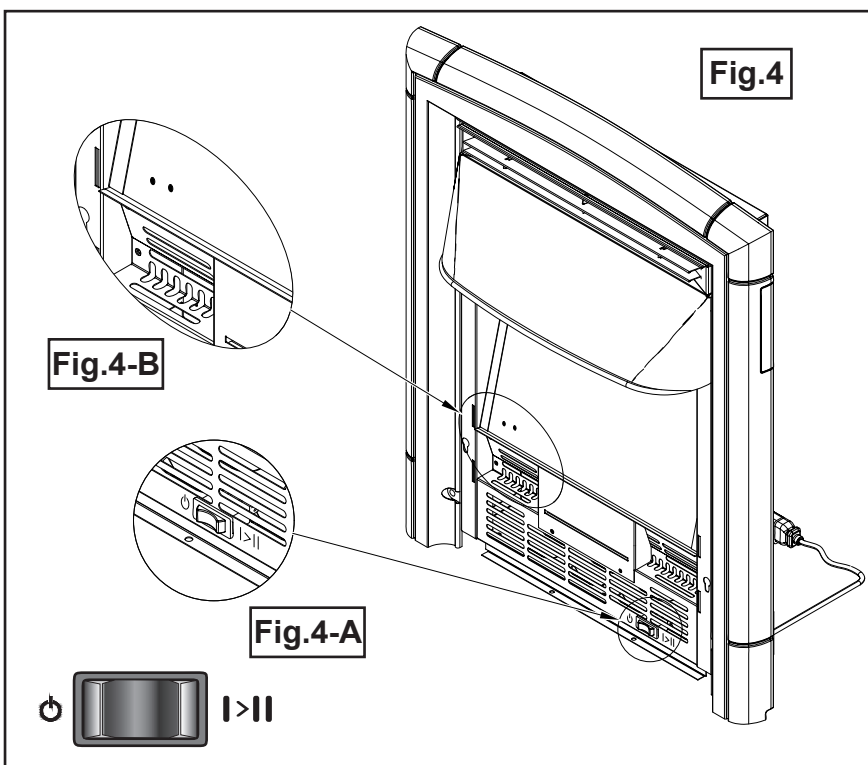
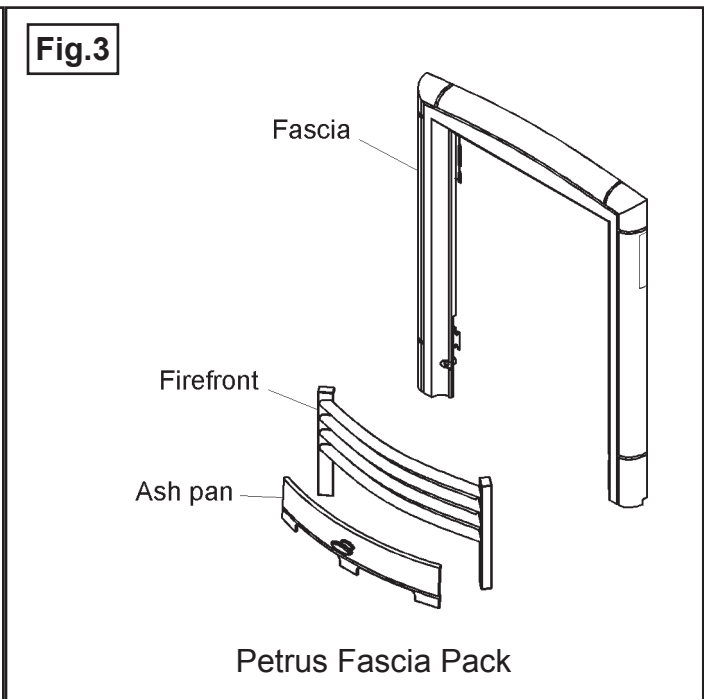
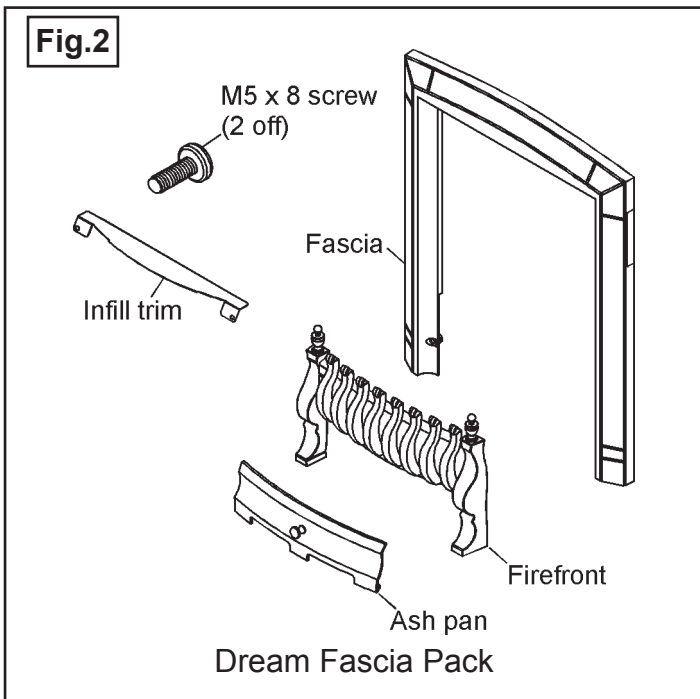
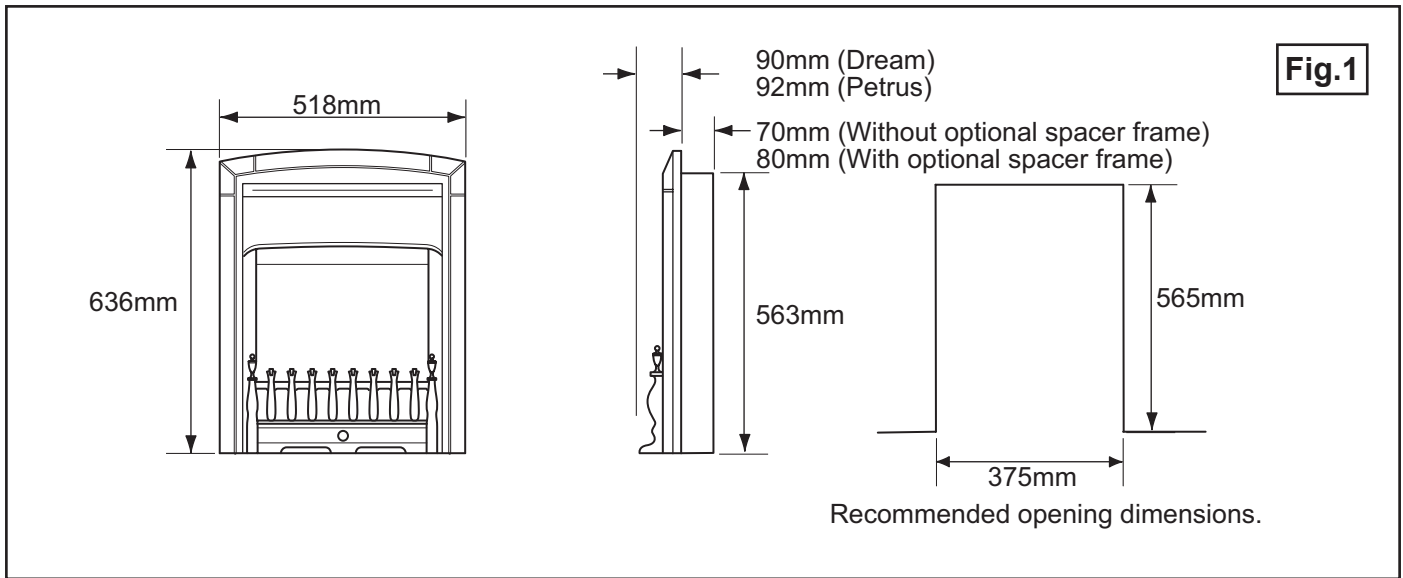


**DREAM
DIMENSION**



**PETRUS
DIMENSION**

08/52282/0 (UK) Issue 2



IMPORTANT: THESE INSTRUCTIONS SHOULD BE READ CAREFULLY AND RETAINED FOR FUTURE REFERENCE

Important Safety Advice

When using electrical appliances, basic precautions should be followed to reduce the risk of fire, electric shock, and injury to persons, including the following:

If the appliance is damaged, check immediately with the supplier before installation and operation.

Do not use this appliance in the immediate surroundings of a bath, shower or swimming pool.

Do not use outdoors.

This appliance must not be located immediately above or below a fixed socket outlet or connection box.



WARNING : The appliance carries the Warning Symbol indicating that it must not be covered or has a Do not cover label. Do not cover or obstruct in any way the heat outlet grille located at the top of the appliance overheating will result if the appliance is accidentally covered. Do not place material or garments on the appliance, or obstruct the air circulation around the appliance, for instance by curtains or furniture, as this could cause overheating and a fire risk.

In the event of a fault unplug the heater.

Unplug the appliance when not required for long periods. The supply cord must be placed on the right hand side of the heater away from the heat outlet underneath the appliance.

Although this appliance complies with safety standards, we do not recommend its use on deep pile carpets or on long hair type of rugs.

This appliance can be used by children aged from 8 years and above and persons with reduced physical, sensory or mental capabilities or lack of experience and knowledge if they have been given supervision or instruction concerning use of the appliance in a safe way and understand the hazards involved. Children shall not play with the appliance. Cleaning and user maintenance shall not be made by children without supervision.

Children of less than 3 years should be kept away unless continuously supervised.

Children aged from 3 years and less than 8 years shall only switch on/off the appliance provided that it has been placed or installed in its intended normal operating position and they have been given supervision or instruction concerning use of the appliance in a safe way and understanding the hazards involved. Children aged from 3 years and less than 8 years shall not plug in, regulate and clean the appliance or perform user maintenance.

The appliance must be positioned so that the plug is accessible.

If the supply cord is damaged it must be replaced by the manufacturer or service agent or similarly qualified person in order to avoid a hazard.

CAUTION: In order to avoid a hazard due to inadvertent resetting of the thermal cut-out, this appliance must not be supplied through an external switching device, such as a timer, or connected to a circuit that is regularly switched on and off by the utility.

This appliance is not equipped with a device to control the room. Do not use this heater in small rooms when they are occupied by persons not capable of leaving the room on their own, unless constant supervision is provided.

CAUTION - Some parts of this product can become very hot and cause burns. Particular attention has to be given where children and vulnerable people are present.

**These instructions can be found at
www.valor.co.uk**

General

Unpack the heater carefully and retain the packaging for possible future use, in the event of moving or returning the fire to your supplier.

The fire incorporates a flame effect, which can be used with or without heating, so that the comforting effect may be enjoyed at any time of the year. Using the flame effect on its own only requires little electricity. A choice of 650W or 1.3kW heat output is provided by the fan heater, which is located at the bottom of the unit.

Before connecting the heater check that the supply voltage is the same as that stated on the heater.

Please note: Used in an environment where background noise is very low, it may be possible to hear a sound which is related to the operation of the flame effect. This is normal and should not be a cause for concern.

Electrical connection



WARNING – THIS APPLIANCE MUST BE EARTHED.

This heater must be used on an AC ~ supply only and the voltage marked on the heater must correspond to the supply voltage.

Before switching on, please read the safety warnings and operating instructions.

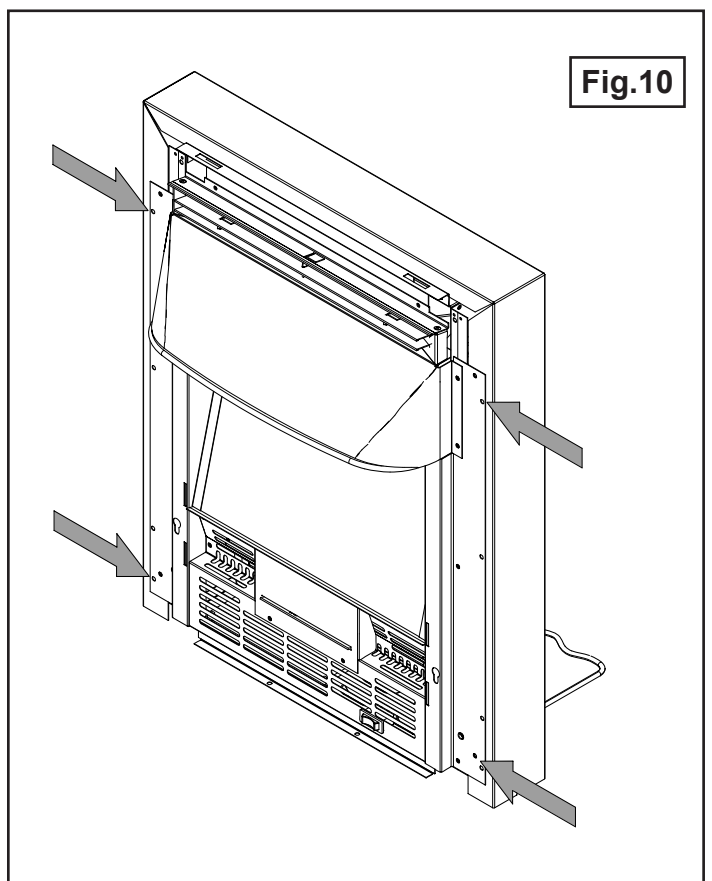
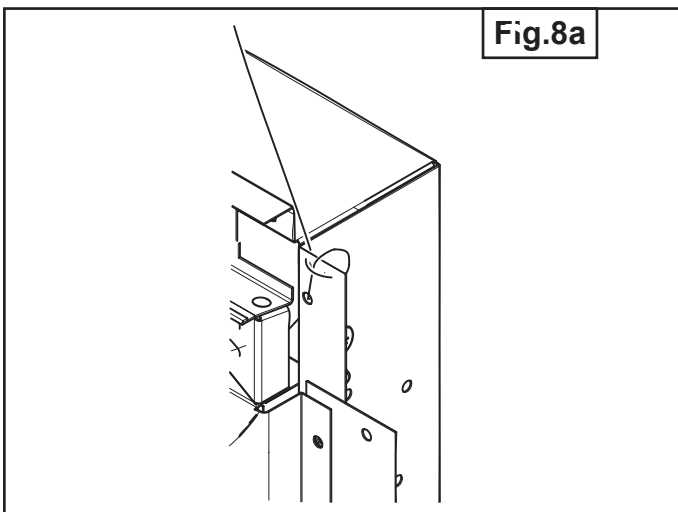
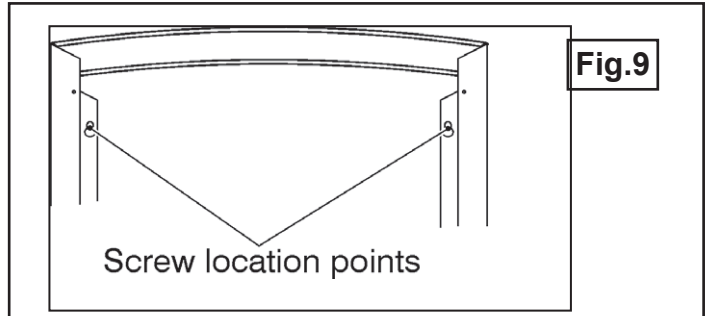
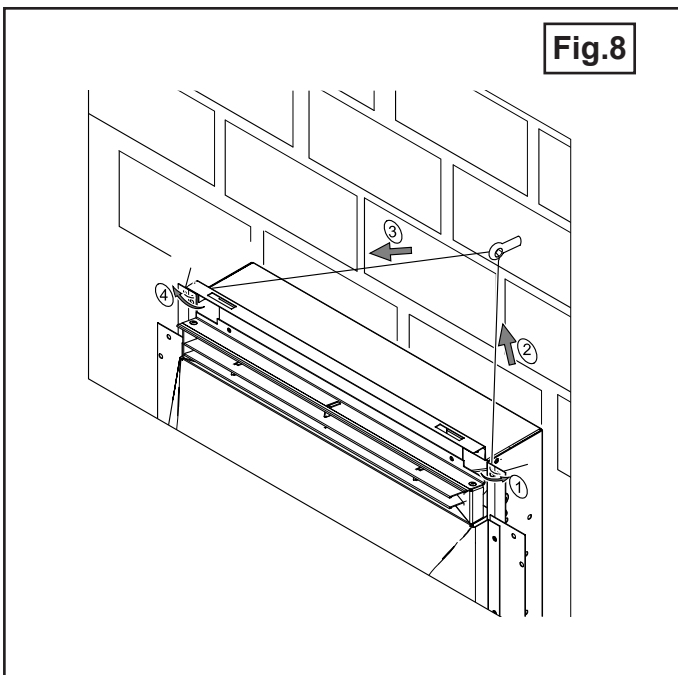
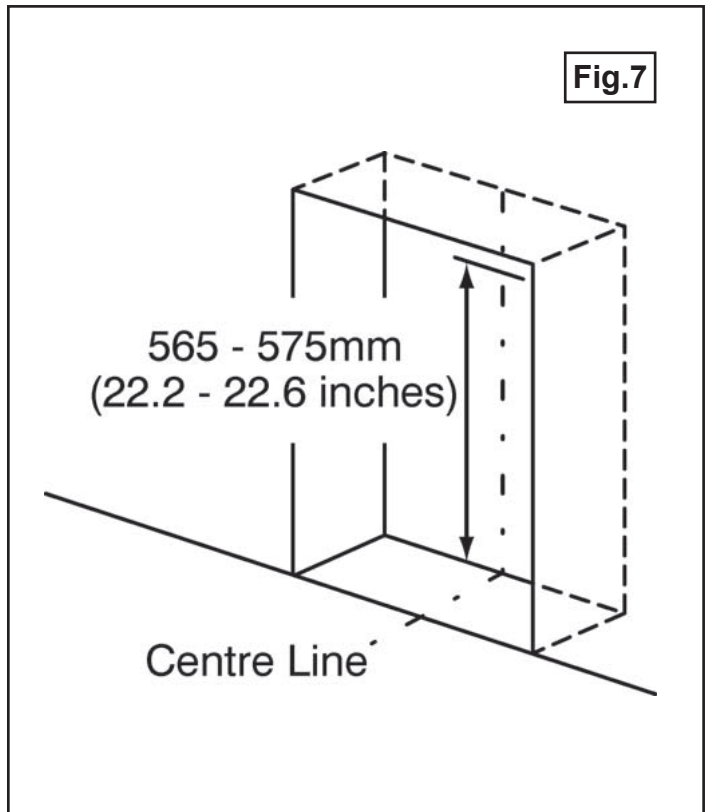
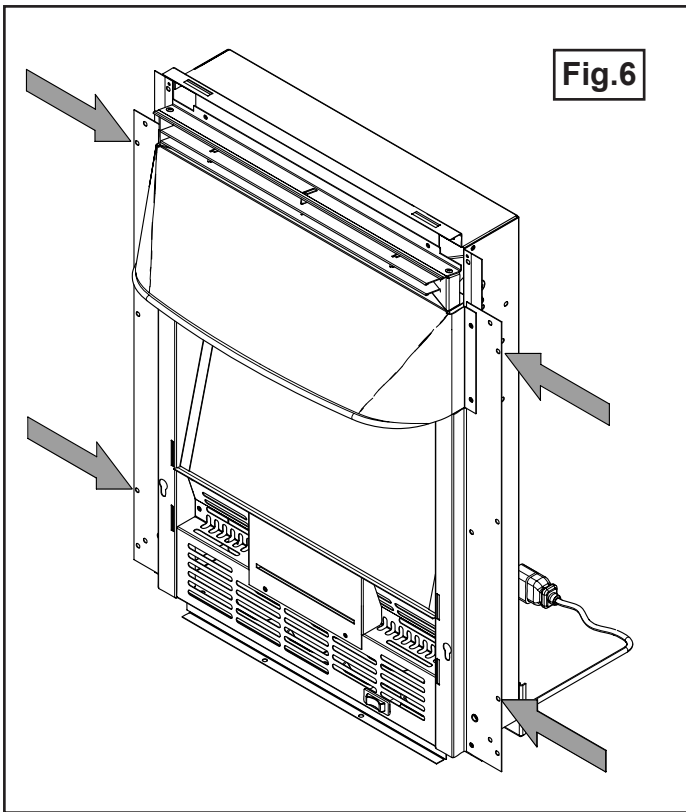
Controls - see Fig.4-A

There is only one switch used to operate any of the controls within the appliance.

Setting	Operation	Indication
Flame Effect	Press the  button once	Flame panel illuminated
Flame Effect & half heat	Press the 'I' button again	1 RED LED
Flame Effect & full heat	Press the 'II' button again	2 RED LED's
To turn off any of the settings	Press the  button once.	

LED indicators - see Fig. 4-B

The TWO LED's as shown in Fig. 4-B indicates the heat setting and will illuminate for a couple of seconds every time the heat setting is changed. One LED means Half Heat - 650watts, TWO LED's means Full Heat - 1300watts



Remote Control - see Fig. 5

The maximum range of use is ~ 15metres.

The buttons on the remote control have the same function as the switches on the heater.

For details on the function please refer to the 'Controls' section above.

Warning: It takes time for the receiver to respond to the transmitter.

Do not press the buttons more than once within two seconds for correct operation.

Battery Information - see Fig. 5

1. Slide open the battery cover on the back of the remote control
2. Install AAA batteries into the remote control
3. Replace the battery cover.

Discard Leaking Batteries

Dispose of batteries in the proper manner according to provincial and local regulations.

Any battery may leak electrolyte if mixed with a different battery type, if inserted incorrectly; if all the batteries are not replaced at the same time; if disposed of in a fire, or if an attempt is made to charge a battery not intended to be recharged.

Thermal Safety Cut-out

The built-in overheat cut-out switches off the appliance automatically in the event of a fault. If this occurs, switch off the appliance or disconnect the mains plug from the socket. Remove any obstructions which may have caused the overheating. After a short cooling down phase, the appliance is ready for use again. If the fault should occur again, unplug the appliance and contact your local dealer.

Installation

WARNING – ALWAYS ENSURE THE APPLIANCE IS DISCONNECTED FROM THE POWER SUPPLY BEFORE INSTALLING.

IF THE APPLIANCE HAS BEEN INSTALLED INTO AN EXISTING FIREPLACE, IT IS RECOMMENDED THAT YOU HAVE YOUR CHIMNEY CLEANED BY A COMPETENT CHIMNEY SWEEP AND BLOCK OFF THE CHIMNEY FLUE. THIS PROCEDURE IS IMPORTANT FOR THE EFFICIENT OPERATION OF THE APPLIANCE AND WILL ALSO REDUCE HEAT LOSS UP THE CHIMNEY.

The appliance must be secured into position to prevent it from being tipped over. There are a number of methods to fix the appliance in place,

- **Method A** - Securing the appliance with **Screws**
- **Method B** - Securing the appliance with **Wire (Nylon Cable)**
- **Method C** - Securing the appliance with **Optional Space Frame**

See back page of these instruction for table of pack contents

NOTE: Details of fascia pack contents are shown on Fig.2 and Fig.3

The appliance can be fitted into fireplaces or surrounds where the following dimension are available

- **Width** 395mm - 450mm
- **Height** 565mm - 590mm
- **Depth** At least 70mm

Method A - Securing with Screws. - See Fig.6

Note- If fixing to marble, it is recommend that **Method B - Securing with Wire** is used.

Place the appliance into the fireplace or surround opening, ensure the appliance is positioned in the middle of the opening. There are four holes in the side flanges - **see Fig.6** . Mark through the holes so that their position is clear when the appliance is removed. With the appliance removed, drill an appropriate size hole in each of the marked positions for the wall plug supplied. Insert the wall plugs, reposition the appliance aligning the holes with the wall plugs. Using the wood screws supplied secure the appliance in position.

Method B - Securing with Wire - See Fig.7 & Fig.8

Note- This method of securing is recommended when the wall / brickwork is in poor condition or when a marble back panel / surround is used.

The fixing kit supplied with the appliance includes a nylon wire and eyescrew, these can be used to secure the appliance in place. Mark a hole in the centre of the back of the fireplace approximately 560-570mm - **see Fig.7**. Drill an appropriate size hole in the marked position, insert a wall plug , then screw the eyescrew into the wall plug. Re-position the appliance in front of the opening, but do not inset into the opening. On the edge of the side flanges there are two small

holes either side the appliance. Thread about 100mm of wire into the outside small hole on the right hand side flange of the appliance - **see Fig.8 - step 1**. Thread the other end of the wire through the remaining small hole to the left. Continue to push the wire through this hole until there is a small loop of wire on the front of the appliance, bring the end of the 100mm piece over the top of the side and thread it through the small loop, pull the long end tight to close the loop, feed the short piece along the front back through the large hole just below the two small holes just used.. - **see Fig.8a**.

Next. thread the long piece of nylon wire through the eyescrew in the back of the fireplace opening. From the back of the appliance, thread the long piece of wire through the inner small hole on the left hand side flange - **see Fig.8 - step 3**. Locate the appliance in the fire place opening , then from the front of the appliance gently pull the wire on the left hand side to gather up the excess until the appliance is secured. Thread the remaining wire through the small outer hole, again bring this wire over the top of the side and thread it through the small loop and keep tightening the wire in place until all the excess wire is used up. Trim the excess to within 100mm and push the remainder through the larger hole just below the two holes just used. - **see Fig.8 - step 4**.

Method C - Securing with optional space frame - see Fig.9 & Fig.1

Note- The spacer frame enables the appliance to be flat wall fixed.

For your safety the frame and the appliance must be securely fixed to the rear wall / surround.

Fitting the spacer frame:

The rear of the spacer frame has wider flanges which have key hole slots. Position the rear of the spacer frame against the wall. Ensure that the spacer is central to the fireplace, it is important that the legs are positioned correctly and are upright. Mark the upper position of the key hole slots on the wall - **see Fig.9** . Remove the spacer frame and drill a hole on the marked locations using a suitable sized masonry drill bit for the supplied wall plugs. Insert two wall plugs into the holes, then screw in two wood screws in to the wall plugs until approximately 6mm of screw is left protruding from the wall.

Fitting the spacer frame to the appliance:

The spacer frame is secured to the appliance in four position - **see Fig.10** . Secure the spacer frame to the appliance using the four No.8 x 3/8 screws supplied.

Fitting the appliance with spacer frame:

Carefully lift the appliance and locate the slots on the rear of the spacer frame onto the screws in the wall. The screws can be adjusted to ensure a tight fit. When mounting to decorative surfaces such as wallpaper, care must be taken not to drag the appliance down the wall as it may damage the decorative surface.

Fig.11

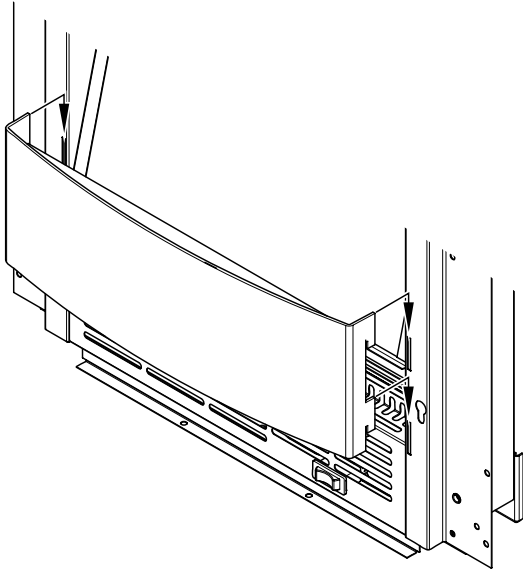


Fig.12

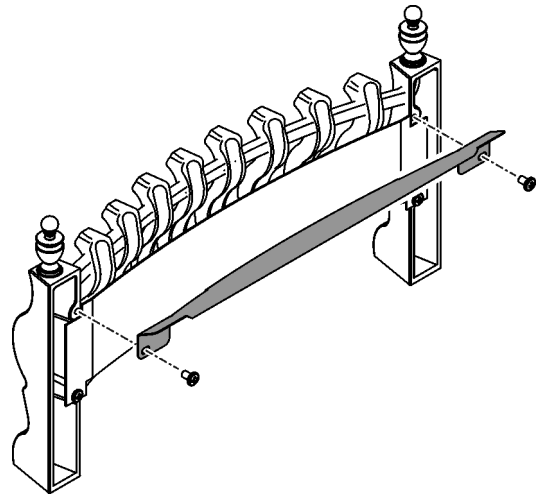


Fig.13

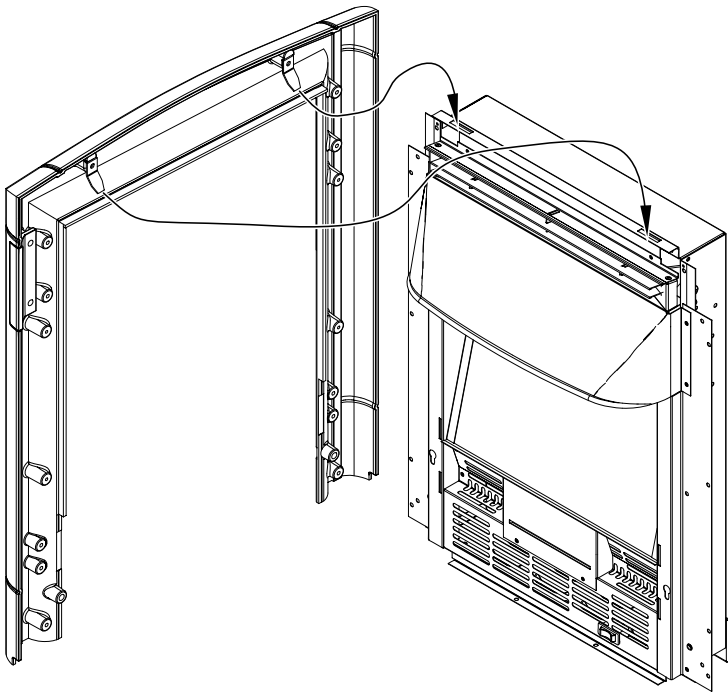
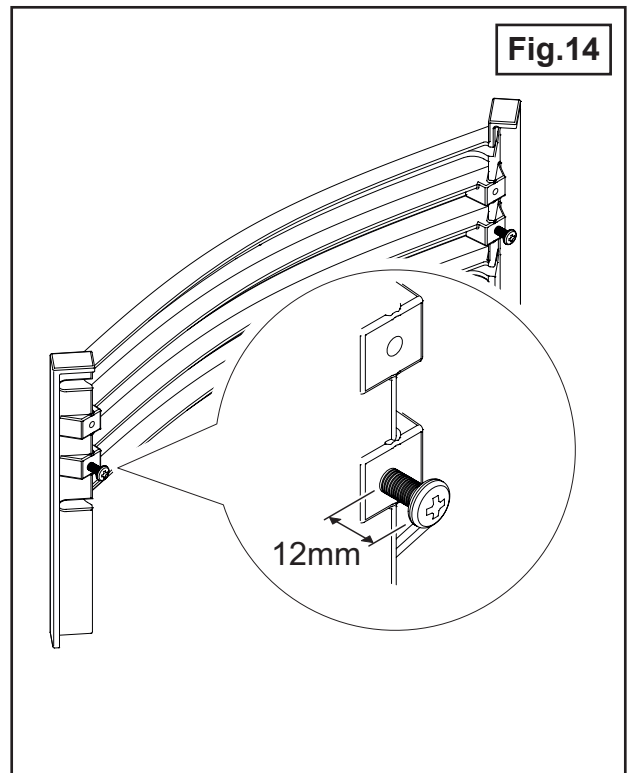


Fig.14



Fitting the Decorative Fascia to the Appliance

Fitting the plastic infill trim (Petrus Model Only).

Remove the plastic infill trim from its packaging. Locate the four tabs on the rear of the plastic infill trim into the four slotted holes on the front of the appliance - **see Fig.11** .

Fitting the metal infill trim (Dream Model Only).

Remove the metal infill from its packaging. Locate the metal infill trim on the back of the Fret - **see Fig.12** . Secure the metal infill trim in place using the two M5 x 8 screws supplied.

Fitting the fascia.

Remove the fascia from its packaging. Holding the fascia firmly with both hands , lift into place. Locate the fascia hanging brackets into the slots on top of the appliance - **see Fig.13** . Lower the fascia into the place and swing the bottom of the fascia towards the appliance. Secure the fascia in place by the holes in the lower side legs of the fascia using the two washers and two M4 x 25mm screws supplied.

Fitting the fret and ash pan (Petrus Model Only).

Remove the fret from its packaging. On the rear of the fret it maybe fitted with hanging screws or they may be supplied in the fret packaging. Where they are not already fitted insert them into the lower holes on both sides of the fret - **see Fig.14**. The distance between the fret and the underside of the screw heads should be approximately 12mm. The screws can be adjusted to obtain the required fit. Hang the fret on the hole slots on the front of the appliance. Position the ash pan beneath the fret.

Fitting the fret and ash pan (Dream Model Only).

Remove the fret from its packaging. Locate the fret in front of the appliance. Position the ash pan beneath the fret.

Maintenance

WARNING: ALWAYS DISCONNECT FROM THE POWER SUPPLY BEFORE ATTEMPTING ANY MAINTENANCE.

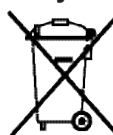
Cleaning

WARNING – ALWAYS DISCONNECT FROM THE POWER SUPPLY BEFORE CLEANING THE HEATER.

For general cleaning use a soft clean duster – never use abrasive cleaners. The glass viewing screen should be cleaned carefully with a soft cloth. There is a mirror located underneath the canopy, this may require cleaning to ensure a sharp clear image as shown below in **Fig.15**. DO NOT use proprietary glass cleaners.

To remove any accumulation of dust or fluff the soft brush attachment of a vacuum cleaner should occasionally be used to clean the outlet grille of the fan heater.

Recycling



For electrical products sold within the European Community. At the end of the electrical products useful life it should not be disposed of with household waste. Please recycle where facilities exist. Check with your Local Authority or retailer for recycling advice in your country.

After Sales Service

Your product is guaranteed for one year from the date of purchase.

Within this period, we undertake to repair or exchange this product free of charge (excluding lamps & subject to availability) provided it has been installed and operated in accordance with these instructions.

Your rights under this guarantee are additional to your statutory rights, which in turn are not affected by this guarantee.

Should you require after sales information or assistance with this product please go to www.valor.co.uk where you will find our self help guide or ring our helpdesk on 0844 879 3588 (UK) or 01 842 4833 (R.O.I.) .

Spare parts are available from the help desk.

www.valor.co.uk

Please retain your receipt as proof of purchase.

Fig.15

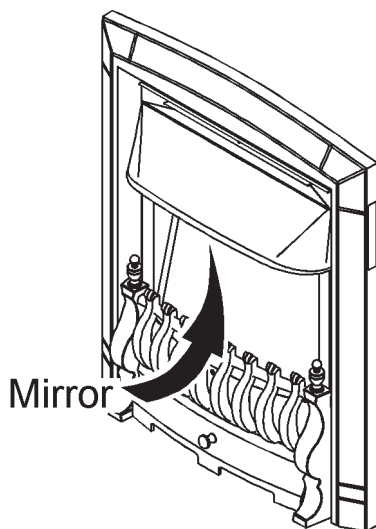
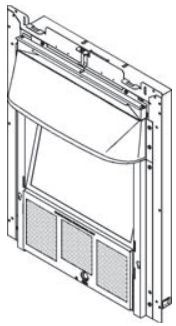

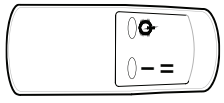






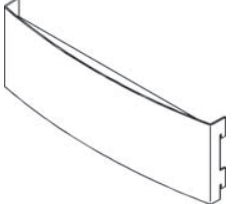




Table of Pack Contents

Contents	Qty.	(Not to scale)	Contents	Qty.	(Not to scale)
Heater	1		'AAA' Battery	2	
			Remote	1	
			M4 x 25mm screw	2	
			Washer	2	
No.8 x 3/8 pan head screw	5		Mains cable	1	
Tension wire	1				
Screw eye	1		Infill trim (Petrus model only)	1	
Wood screw	5				
Wall plug	5				

Valor
Millbrook House
GrangeDrive
HedgeEnd
Southampton
Hampshire.SO30 2DF

TEL: 0844 879 3588
FAX: 0844 879 3583
WEBSITE: www.valor.co.uk
Republic of Ireland

Tel. 01 8424833