



INSTALLER AND OWNER GUIDE

Model 953

INSET LIVE FUEL EFFECT GAS FIRE
INCORPORATING THE

VALOR FIRES **FireSlide**[®] CONTROL

Fitted with one of the following fascia.

Alpha, Decadent, Dream,
Elegant, Eternal, Masquerade,
Excelsior or Obsession



(GC No. 32-032-72)

We trust that this guide gives sufficient details to enable this appliance to be installed, operated and maintained satisfactorily.

However, if further information is required, our

Valor Technical Helpline will be pleased to help.

Telephone **0844 879 35 88** (National call rates apply in the United Kingdom).

In the Republic of Ireland

Telephone **01 842 8222**.



INSTALLER: Please leave this guide with owner

THIS APPLIANCE IS FOR USE WITH NATURAL GAS (G20).

**WHEN CONVERTED USING CONVERSION KIT NO. 0595221 THIS
APPLIANCE IS FOR USE WITH PROPANE GAS (G31).**

**THIS APPLIANCE IS SUITABLE ONLY FOR INSTALLATION IN THE UNITED
KINGDOM (GB) AND THE REPUBLIC OF IRELAND (IE).**

© GDC Group Ltd.

All rights reserved. No part of this publication may be reproduced in any material form (including photocopying), stored in any medium by electronic means (including in any retrieval system or database) or transmitted, in any form or by any means, whether electronic, mechanical, recording or otherwise, without the prior written permission of the copyright owner.

Applications for the copyright owner's permission to reproduce any part of this publication should be made, giving details of the proposed use, to the following address: The Marketing Communications Manager, GDC Group Ltd, Millbrook House, Grange Drive, Hedge End, Southampton, S030 2DF.

Warning: Any person who does any unauthorised act in relation to a copyright work may be liable to criminal prosecution and civil claims for damages.



Valor Fires, GDC Group Ltd, Millbrook House, Grange Drive, Hedge End,
Southampton, S030 2DF.

www.valor.co.uk

**Because our policy is one of constant development and improvement, details may vary
slightly from those given in this publication**

Safety First.

Valor Fires fires are CE Approved and designed to meet the appropriate British Standards and Safety Marks.



Quality and Excellence.

All Valor Fires fires are manufactured to the highest standards of quality and excellence and are manufactured under a BS EN ISO 9001 quality system accepted by the British Standards Institute.



The Highest Standards

Valor is a member of the Benchmark scheme and HHIC (Heating and Hot water Industry Council) that work to ensure high standards of safety, quality and performance.



Careful Installation

This gas fire must be installed by a competent GAS SAFE REGISTER operative in accordance with this installer guide. combustible material.



INSTALLER GUIDE

FOR OWNER GUIDE SEE PAGES 42 TO 55

INSTALLER GUIDE

CONTENTS

| <u>Section</u> | <u>Heading</u> | <u>Page</u> |
|----------------|---|----------------|
| | INSTALLER GUIDE | 4 - 41 |
| | OWNER GUIDE | 42 - 55 |
| 1. | SAFETY AND UNPACKING | 7 |
| 2. | APPLIANCE DATA AND EFFICIENCY | 8 |
| 3. | GENERAL INSTALLATION REQUIREMENTS | 9 |
| | 3.1 Regulations, Standards and Law. | 9 |
| | 3.2 Ventilation requirements. | 10 |
| | 3.3 The Atmosphere sensing device (ASD). | 10 |
| | 3.4 Fireguard requirements. | 10 |
| | 3.5 Room considerations. | 10 |
| | 3.6 Chimney preparation. | 10 |
| | 3.7 Fireplace preparation. | 11 |
| | 3.8 The hearth. | 11 |
| | 3.9 Fireplace clearances. | 12 |
| | 3.10 Installation options. | 14 |
| | 3.10.1 Conventional fireplace and hearth. | 14 |
| | 3.10.1.1 'Hole-in-the-wall' Installations. | 14 |
| | 3.10.2 Metal flue box and hearth. | 15 |
| | 3.10.3 Precast concrete or clay flue block system and hearth. | 15 |
| | 3.11 Flues. | 16 |
| | 3.12 Propane gas fires. | 17 |
| | 3.13 BENCHMARK Scheme | 17 |
| 4. | PACK CONTENTS | 18 |
| 5. | FIREPLACE CHECK | 21 |
| | 5.1 Soundness for appliance attachment. | 21 |
| | 5.2 Fireplace flue pull. | 21 |
| 6. | IGNITION CHECK | 22 |
| 7. | GAS SUPPLY CONNECTION | 22 |
| 8. | PREPARING APPLIANCE FOR INSTALLATION | 23 |
| | 8.1 Appliance preparation. | 23 |
| | 8.2 Fitting the foam seal. | 23 |
| | 8.3 The flue restrictor. | 24 |
| 9. | CONVECTION BOX INSTALLATION | 24 |
| | 9.1 Method 1- Front fixing to fireplace surround. | 24 |
| | 9.2 Method 2 - Cable retention. | 25 |
| | 9.3 Floor sealing. | 26 |

Continued on next page

INSTALLER GUIDE

CONTENTS (Continued)

| <u>Section</u> | <u>Heading</u> | <u>Page</u> |
|--|--|-------------|
| 10. BURNER INSTALLATION | | 27 |
| 10.1 | Burner and supply pipe installation. | 27 |
| 10.2 | Preliminary burner checks. | 27 |
| 10.2.1 | Lighting the burner. | 27 |
| 10.2.2 | Operating the burner. | 27 |
| 10.3 | Inlet pressure check. | 28 |
| 10.4 | Fitting the burner tray trim. | 28 |
| 11. FITTING THE FASCIA | | 28 |
| 12. FITTING THE CERAMIC FUEL EFFECT | | 29 |
| 13. FIREFRONT CASTING INSTALLATION | | 30 |
| 13.1 | Fitting the Alpha, Eternal, Elegant and Obsession firefront casting. | 30 |
| 13.2 | Fitting the Dream, Masquerade and Excelsior firefront casting. | 30 |
| 13.3 | Fitting the Decadent firefront casting. | 30 |
| 14. FULL OPERATING CHECKS | | 31 |
| 14.1 | Recheck the control settings. | 31 |
| 14.2 | Lighting the burner. | 31 |
| 14.3 | Operating the burner. | 31 |
| 15. SPILLAGE AND FLAME SUPERVISION CHECKS | | 32 |
| 15.1 | Check for spillage. | 32 |
| 15.2 | Flame supervision and spillage monitoring system. | 32 |
| 16. FINAL REVIEW | | 34 |
| 17. SERVICING & PARTS REPLACEMENT | | 35 |
| 17.1 | Checking the aeration setting of the burner. | 36 |
| 17.2 | To remove the ignition microswitch. | 36 |
| 17.3 | To remove the gas shut-off microswitch. | 36 |
| 17.4 | To remove the fascia. | 37 |
| 17.5 | To replace the control slide button. | 37 |
| 17.6 | To remove the burner unit. | 38 |
| 17.7 | To remove the electronic ignition generator. | 38 |
| 17.8 | To remove the thermocouple interrupter block. | 38 |
| 17.9 | To remove the pilot unit. | 39 |
| 17.10 | To remove the shut-off tap. | 39 |
| 17.11 | To remove the gas flow rate controller. | 40 |
| 17.12 | To replace the burner. | 40 |
| 17.13 | To remove the main burner injector. | 41 |
| 17.14 | To remove the appliance from the fireplace. | 41 |

INSTALLER GUIDE

1. SAFETY AND UNPACKING

Installer

Before continuing any further with the installation of this appliance please read the following guide to manual handling.

- The approximate lifting weight (kg) of this appliance is as below:

| <u>Model</u> | <u>Heat Engine</u> | <u>Firefront</u> | <u>Combined Weight</u> |
|--------------|--------------------|------------------|------------------------|
| Alpha | 7.9 | 2.10 | 10.00 |
| Dream | 7.9 | 13.35 | 21.25 |
| Masquerade | 7.9 | 13.35 | 21.25 |
| Excelsior | 7.9 | 13.35 | 21.25 |
| Elegant | 7.9 | 2.10 | 10.00 |
| Eternal | 7.9 | 3.45 | 11.35 |
| Decadent | 7.9 | 4.00 | 11.90 |
| Obsession | 7.9 | 3.25 | 11.15 |

- One person should be sufficient to lift the fire. If for any reason this weight is considered too heavy then obtain assistance.
- When lifting always keep your back straight. Bend your legs and not your back.
- Avoid twisting at the waist. It is better to reposition your feet.
- Avoid upper body/top heavy bending. Do not lean forward or sideways whilst handling the fire.
- Always grip with the palm of the hand. Do not use the tips of fingers for support.
- Always keep the fire as close to the body as possible. This will minimise the cantilever action.
- Use gloves to provide additional grip.
- Always use assistance if required.

This product uses fuel effect pieces and burner compartment walls containing Refractory Ceramic Fibres (RCF), which are man-made vitreous silicate fibres. Excessive exposure to these materials may cause irritation to eyes, skin and respiratory tract. Consequently, it is important to take care when handling these articles to ensure that the release of dust is kept to a minimum. To ensure that the release of fibres from these RCF articles is kept to a minimum, during installation and servicing we recommend that you use a HEPA filtered vacuum to remove any dust and soot accumulated in and around the fire before and after working on the fire. When replacing these articles we recommend that the replaced items are not broken up, but are sealed within a heavy duty polythene bag, clearly labelled as RCF waste. RCF waste is classed as a stable, non-reactive hazardous waste and may be disposed at a landfill licensed to accept such waste. Protective clothing is not required when handling these articles, but we recommend you follow the normal hygiene rules of not smoking, eating or drinking in the work area and always wash your hands before eating or drinking. This appliance does not contain any component manufactured from asbestos or asbestos related products.

INSTALLER GUIDE

2. APPLIANCE DATA AND EFFICIENCY

2.1 General information.

| Gas | Natural (G20) | Propane (G31) * |
|-----------------------------------|--------------------------------------|--|
| Inlet Pressure | 20mbar | 37mbar |
| Input - Max. (Gross) | 6.0kW (20,500Btu/h) | 6.1kW (20,800Btu/h) |
| Input - Min. (Gross) | 2.7kW (9,212Btu/h) | 4.3kW (14,670Btu/h) |
| Inlet Test Pressure (Cold) | 20.0 ± 1.0mbar (8.0 ± 0.4in w.g.) | 37.0 ± 1.0 mbar (14.85 ± 0.4in w.g.) |
| Gas Connection | 8mm pipe | 8mm pipe |
| Burner Injector | Cat 82 - 069 | Size 128 |
| Pilot & Atmosphere Sensing Device | Copreci Ref. O.D.S 21500/166 | Copreci Ref. O.D.S 21500/166 Fitted with RBM 180 - 02 injector |
| Ignition | Electronic (Battery 9V PP3) | Electronic (Battery 9V PP3) |
| Aeration | Factory set | Non-adjustable |

*When converted using kit 0595221.

The appliance information label is located on a plate at the base of the fire. This can be seen by removing the bottom front cover of the fascia.

2.2 Efficiency.

The efficiency of this appliance has been measured as specified in BS 7977 - 1 and the result is as below:

| <u>Model</u> | <u>Efficiency % (Gross)</u> |
|----------------------------|-----------------------------|
| 953 | 55 |
| 953 when converted to LPG. | 58 |

The gross calorific value of the fuel has been used for this efficiency calculation. The test data from which it has been calculated has been certified by BSI Certification services (0087). The efficiency value may be used in the UK Government's Standard Assessment Procedure (SAP) for energy rating of dwellings.

The conversion of **net** efficiency to **gross** was achieved by multiplying the net efficiency by the following conversion factor from Table E3 of SAP 2005, rounding down to the nearest whole number.

INSTALLER GUIDE

| Gas | Conversion factor from net to gross efficiency |
|-------------|--|
| Natural Gas | 0.901 |
| LPG | 0.921 |

3. GENERAL INSTALLATION REQUIREMENTS

3.1 Regulations, Standards and Law.

The installation must be in accordance with these instructions.

For the user's protection, in the United Kingdom it is the law that all gas appliances are installed by competent persons in accordance with the current edition of the Gas Safety (Installation and Use) Regulations. Failure to install the appliance correctly could lead to prosecution. GAS SAFE REGISTER and CORGI require their members to work to recognised standards.

In the United Kingdom the installation must also be in accordance with:

All the relevant parts of local regulations.

All relevant codes of practice.

The relevant parts of the current editions of the following British Standards:-

BS EN 1856 Part 1 - Chimneys - Requirements for metal chimneys.

BS 715 - Specification for metal flue boxes for gas-fired appliances not exceeding 20kW.

BS EN 1858 - Chimneys - Components - Concrete flue blocks.

BS EN 1806 - Chimneys - Clay / ceramic flue blocks.

BS EN 1856 Part 1 - Chimneys - Requirements for metal chimneys.

BS 5440 Part 1 - Installation of flues.

BS 5440 Part 2 - Installation and maintenance of flues and ventilation for gas appliances of rated input not exceeding 70 kW net (1st, 2nd and 3rd family gases).

BS 6461 Part 1 - Masonry chimney & flues - Installation

BS 1251 - Fireplace components

BS 5871 Part 2 - Installation - Inset LFE gas fires

BS 6891 - Gas pipework installation

– In England and Wales, the current edition of the Building Regulations issued by the Department of the Environment and the Welsh Office.

– In Scotland, the current edition of the Building Standards (Scotland) Regulations issued by the Scottish Executive.

– In Northern Ireland, the current edition of the Building regulations (Northern Ireland) issued by the Department of the Environment for Northern Ireland.

3.2 Ventilation requirements.

Normal adventitious ventilation is usually sufficient to satisfy the ventilation requirements of this appliance. In GB reference should be made to BS 5871 Part 2 and in IE reference should be made to the current edition of IS 813 “Domestic Gas Installations” which makes clear the conditions that must be met to demonstrate that sufficient ventilation is available.

3.3 The Atmosphere sensing device (ASD).

The appliance is fitted with an A.S.D (Atmosphere sensing device). If the appliance closes down after a period of operation for no apparent reason, the consumer should be informed to stop using the appliance until the installation and appliance have been thoroughly checked. The A.S.D will shut the appliance down if an unacceptable amount of harmful products of combustion accumulate. Under no circumstances should the A.S.D be altered or bypassed in any way. Only a genuine manufacturer’s replacement part should be fitted. The individual A.S.D components are not replaceable.

3.4 Fireguard requirements.

A fireguard complying with BS 8423 should be fitted for the protection of young children, the elderly, the infirm and pet animals.

3.5 Room considerations.

3.5.1 This appliance must not be installed in any room that contains a bath or shower or where steam is regularly present.

3.5.2 An extractor fan may only be used in the same room as this appliance, or in any area from which ventilation for the appliance is taken, if it does not affect the safe performance of the appliance. Note the spillage test requirements detailed further on in this manual. If the fan is likely to affect the appliance, the appliance must not be installed unless the fan is permanently disconnected.

3.5.3 Note that soft wall coverings (e.g. embossed vinyl, etc.) are easily affected by heat. They may scorch or become discoloured when close to a heating appliance. Please bear this in mind when installing.

3.6 Chimney preparation.

3.6.1 If the appliance is intended to be installed to a chimney that was previously used for solid fuel, the flue must be swept clean prior to installation. All flues should be inspected for soundness and freedom from blockages.

3.6.2 Any chimney damper or restrictor should be removed. If removal is not possible, they must be secured in the open position.

INSTALLER GUIDE

3.7 Fireplace preparation.

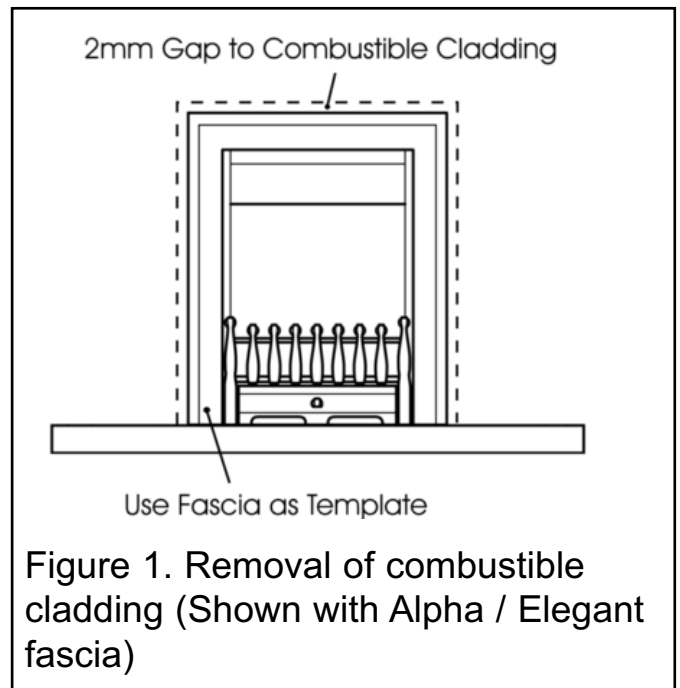
3.7.1 If the fireplace opening is an underfloor draught type, it must be sealed to stop any draughts.

3.7.2 The fireplace floor should be reasonably flat to ensure that the convection box can be installed without it rocking and so that a good seal can be made at the bottom front of the box.

3.7.3 The front face of the fireplace should be reasonably flat over the area covered by the convection box top and side flange seals to ensure good sealing. These faces should be made good if necessary.

3.7.4 If the appliance is to be fitted against a wall with combustible cladding, the cladding must be removed from the area covered by the fascia. The cladding must also not touch the fascia (See figure 1). We suggest that the actual fascia is used as a template to mark the area for combustible cladding removal and that this area is increased by at least 2mm all round.

3.7.5 If the fireplace opening is greater than the acceptable dimensions given in this guide, do not use the back of a fire surround or marble to reduce the opening. This may cause cracking of the surround back or marble.



3.8 The hearth.

The appliance must be mounted behind a non-combustible hearth unless the conditions of section 3.10.1.1 are met (N.B. conglomerate marble hearths are considered as non-combustible). The appliance can be fitted to a purpose made proprietary class "O"-150°C surround. The hearth material must be at least 12mm thick. The periphery of the hearth (or fender) should be at least 50mm above floor level to discourage the placing of carpets or rugs over it.

The appliance must not stand on combustible materials or carpets.

INSTALLER GUIDE

3.9 Fireplace clearances.

3.9.1 The minimum height from the base of the fireplace opening to the underside of any shelf made from wood or other combustible materials is detailed below.

- For a shelf up to 150mm deep: Minimum height = 750mm.
- For a shelf deeper than 150mm: 750mm + 12.5mm for every 25mm depth over

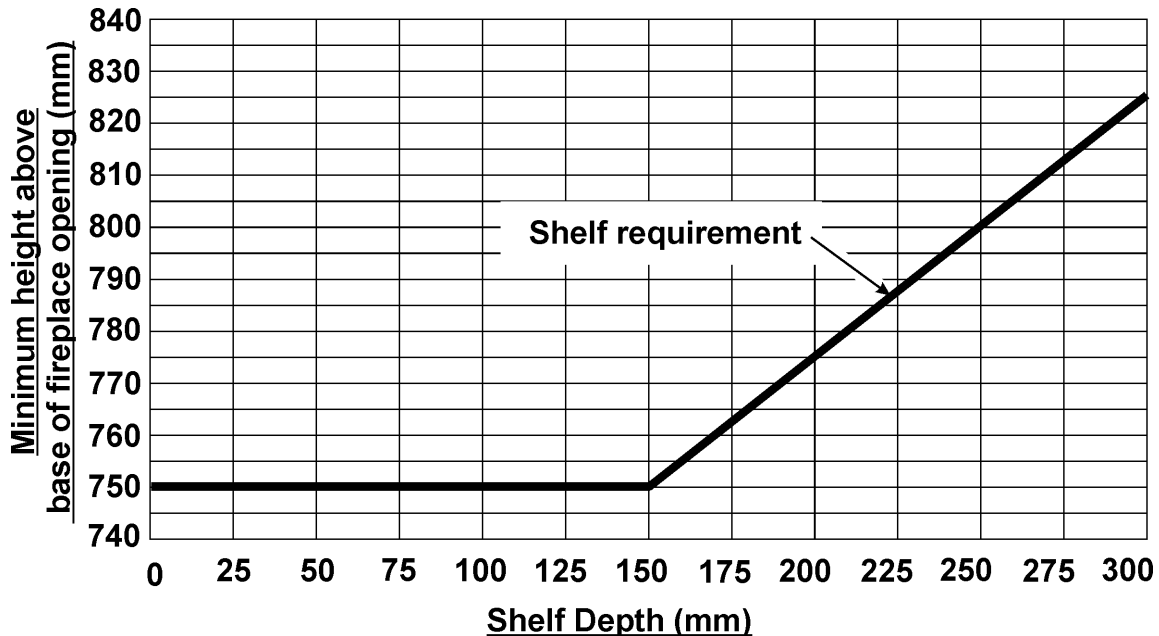


Figure 2. Combustible shelf clearances

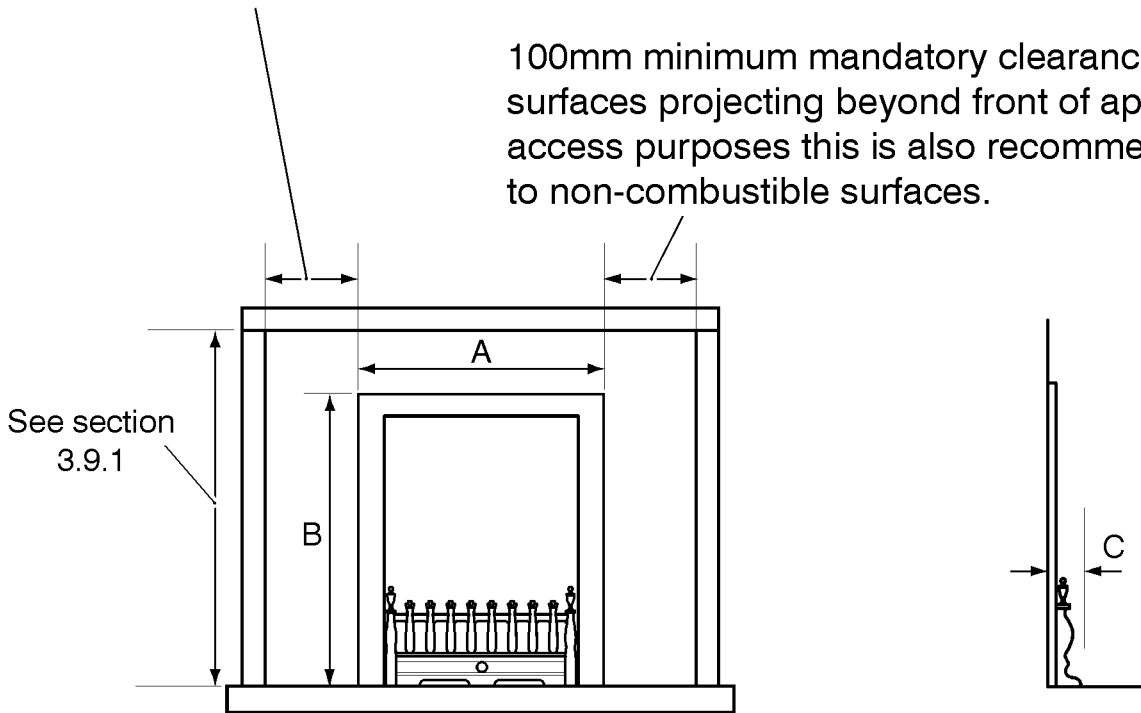
150mm (See figure 2).

3.9.2 The minimum allowable distance from the outside of the fascia to a corner wall having combustible material or any other combustible surface which projects beyond the front of the appliance is shown in figure 3. For access purposes the recommended clearances to non combustible surfaces are shown in figure 3.

INSTALLER GUIDE

100mm minimum mandatory clearance to combustible surfaces projecting beyond front of appliance. For access purposes a 10mm clearance is recommended to non-combustible surfaces.

100mm minimum mandatory clearance to combustible surfaces projecting beyond front of appliance. For access purposes this is also recommended to non-combustible surfaces.



| <u>Dimension</u> | <u>Alpha</u> | <u>Elegant</u> | <u>Dream/Masq./Excel.</u> | <u>Eternal</u> | <u>Decadent</u> | <u>Obsession</u> |
|------------------|--------------|----------------|---------------------------|----------------|-----------------|------------------|
| A | 492mm | 492mm | 518mm | 514mm | 529mm | 530mm |
| B | 598mm | 598mm | 636mm | 611mm | 630mm | 621mm |
| C | 84mm | 84mm | 94mm | 76mm | 120mm | 96mm |

Figure 3. Appliance dimensions (Fascia may differ from that shown and is subject to manufacturing tolerances).

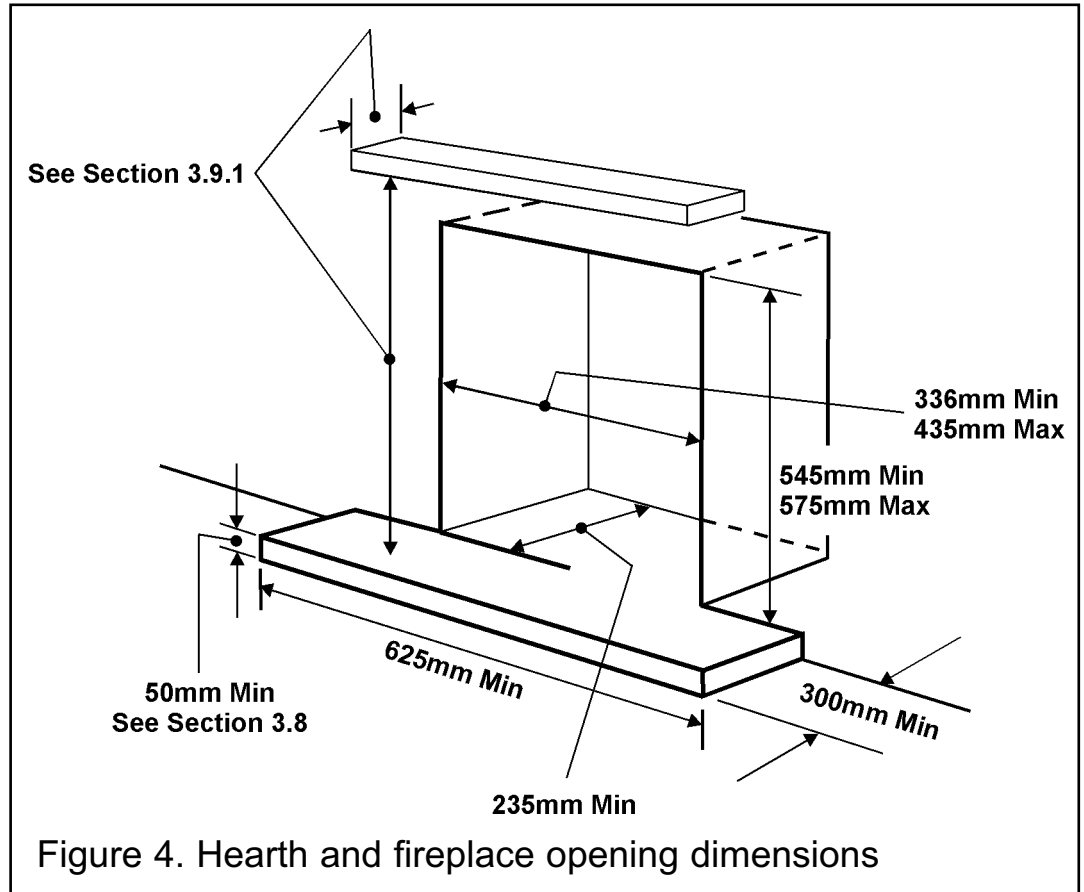
INSTALLER GUIDE

3.10 Installation options.

In the United Kingdom, as supplied, the appliance can be installed in the following situations: -

3.10.1 Conventional fireplace and hearth.

To a fireplace complete with hearth as shown in figure 4. Chair brick removal may not be required providing at least 50mm clearance is available from the flue outlet to any fireplace component.



3.10.1.1 'Hole-in-the-wall' Installations.

- It is recommended that a hearth should be installed as in section 3.8 (See figure 4).
- If a reduced depth hearth is fitted, the fire must be installed so that the distance from the base of the fireplace opening in the wall to the finished floor level is at least 72mm. Where there is no floor covering or carpet and the floor is of a type that is likely to be covered in such a way then the distance from the base of the fireplace opening in the wall to the finished floor level should be increased to at least 147mm. If the lower part of the fascia (the firefront) is free standing, the recommended reduced hearth depth is 100mm. This is necessary to support the firefront (See figure 3 for appliance dimensions).
- To protect from the risk of burns and ignition of clothing a tactile separator shall be used. The hearth detailed in section 3.8 meets the requirements for a tactile separator. If this is not used then a 625mm long fender, kerb, horizontal bar, or other barrier, being fixed not less than 50mm above floor level and positioned 300mm in front of the fixing plane of the fire will meet the requirement.

INSTALLER GUIDE

3.10.2 Metal flue box and hearth.

The appliance can be installed to a fireplace incorporating a metal flue box complying with the constructional requirements of the current edition of BS 715 and with a flue conforming to BS EN 1856 part 1. The dimensions of the flue box must conform to those shown in figure 5.

The top surface of the metal flue box must be covered with a 50mm layer of mineral wool or equivalent insulation (See figure 5).

Important Note: Where the flue box has a base sheet that is single wall (i.e. a single metal sheet) the flue box must be mounted on a non-combustible hearth. The hearth material must be at least 12mm thick.

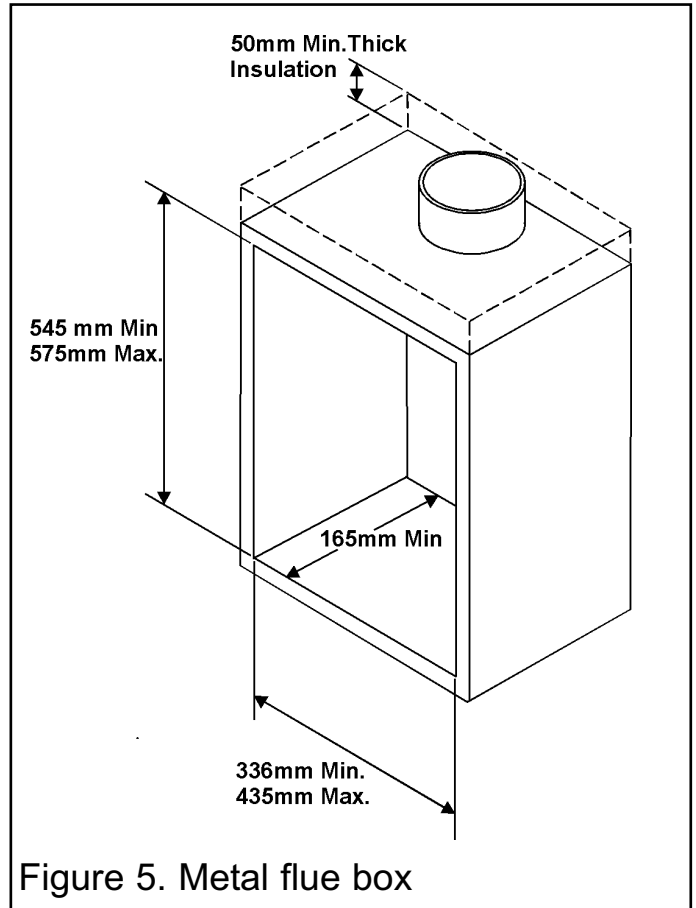


Figure 5. Metal flue box

3.10.3 Precast concrete or clay flue block system and hearth.

The appliance can be installed to a precast concrete or clay flue block system conforming to BS1289 or BS EN 1858 with dimensions as in figure 6.

BS 1289 part 1 recommends there should be an air space or insulation between the flue blocks and the plaster because heat transfer may cause cracking on directly plastered flues. However, generally this appliance is suitable for installations under all circumstances unless there is a history of cracking problems. Remember that faults such as cracking may be caused by poorly built and restrictive flues, e.g. mortar extrusions, too many bends, flue heights below three metres, restrictive terminations etc.

The appliance is suitable for installations conforming to older versions of BS1289 as well as the current edition. The flue blocks must have a minimum width not less than 63mm and a cross-sectional area not less than $13,000\text{mm}^2$. Older editions of BS1289 required a cross-sectional area of $13,000\text{mm}^2$. The current revision of the standard requires $16,500\text{mm}^2$. This appliance is suitable in both cases. The total depth of the opening measured from the finished front of the fireplace (including plaster, surround etc.) must be as below:

INSTALLER GUIDE

- If the width at the rear of the precast flue starter blocks is 300mm or greater the depth of the opening is to be not less than 138mm. Under these conditions the eyebolts will need to be located as close to the sides of the starter blocks as possible.
 - If the width at the rear of the precast flue starter blocks is less than 300mm then an additional 16mm of depth will be required to accommodate the eye bolts.
- Therefore if the starter blocks are less than 300mm wide the minimum depth of the opening will be not less than 154mm.

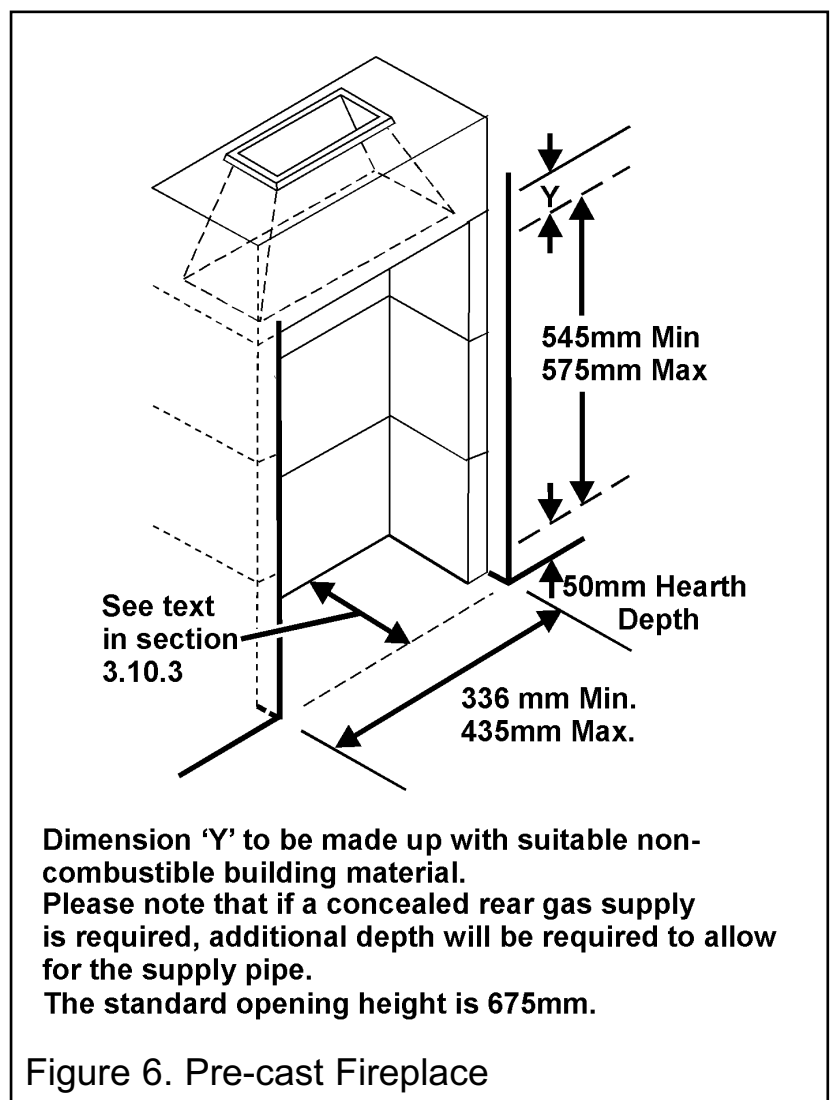
3.11 Flues.

1. Suitable flues and minimum flue sizes are as follows:

It should be noted that, as with many appliances, sharp bends or horizontal runs in metal flues at the top of the system can be a cause of problems in these types of installation.

- 225mm x 225mm conventional brick flue.
 - Single wall, twin wall or flexible flue liner with a minimum diameter of 125mm. The materials to be used are stainless steel or aluminium as specified in BS EN 1856 Part 1. The liner must be sealed to the surrounding area above the fireplace opening and to the top of the chimney. An approved terminal must be fitted.
 - 175mm diameter lined brick or stone flue.
 - 200mm diameter factory made insulated flue manufactured to BS4543 Part 2.
 - 175mm diameter flue pipe. See BS6461 Part 1 for suitable materials.
 - A properly constructed precast concrete or clay flue system conforming to BS1289 or BS EN 1858. This system is only suitable if the conditions stated in section 3.10.3 are met.
2. The flue must conform to BS 5440: Part 1 in design and installation.

The flue, measured from the bottom of the fireplace opening to the bottom of the terminal, shall be not less than 3m in actual vertical height. When calculated in accordance with BS 5440: Part 1 Annex A, the minimum **equivalent** height of the flue shall be 2.0m of



INSTALLER GUIDE

125mm dia. flue pipe.

3. The flue must not be used for any other appliance or application.
4. Proprietary terminals must comply with BS 715 or BS 1289. Any terminal or termination must be positioned in accordance with BS 5440 Part 1 to ensure that the products of combustion can be safely dispersed into the outside atmosphere. Where the appliance is connected to an unlined brick chimney it is generally unnecessary for the chimney pot to be replaced or for a terminal to be fitted unless the flue has a diameter smaller than 170mm.
5. The flue must be completely sealed so that combustion products do not come into contact with combustible materials outside the chimney.

3.12 Propane gas fires.

Propane gas appliances must not be installed in a room, which is built entirely below ground level (See BS 5871 Pt2).

3.13 The Benchmark Scheme



GDC Group is a licensed member of the Benchmark Scheme which aims to improve the standards of installation and commissioning of domestic heating and hot water systems in the UK and to encourage regular servicing to optimise safety, efficiency and performance. Benchmark is managed and promoted by the Heating and Hotwater Industry Council.

It places responsibilities on both manufacturers and installers. The purpose is to ensure that customers are provided with the correct equipment for their needs, that it is installed, commissioned and serviced in accordance with the manufacturer's instructions by competent persons and that it meets the requirements of the appropriate Building Regulations.

The Benchmark Checklist (on the inside back pages of this guide) can be used to demonstrate compliance with Building Regulations and should be provided to the customer for future reference.

Installers are required to carry out installation, commissioning and servicing work in accordance with the Benchmark Code of Practice which is available from the Heating and Hotwater Industry Council who manage and promote the Scheme.

Visit www.centralheating.co.uk for more information.

At the time of commissioning, complete all relevant sections of the Benchmark Checklist located on the inside back pages of this document.

INSTALLER GUIDE

4. PACK CONTENTS

The items required for this appliance are packed in sections.

Section 1 - Fire unit contains:

- 1 Convection box and burner assembly
- 1 Loose parts pack including: -
 - 1 Grommet for rear of convection box
 - 1 Strip of floor sealing tape
 - 1 Flue restrictor
 - 4 Fibre plugs
 - 4 Woodscrews
 - 2 Fire retaining cables
 - 2 Cable adjusters
 - 2 Eyebolts
 - 1 Length of self-adhesive foam seal
 - 1 Inlet "T" connector including pressure test point, nut and olive for 8mm inlet pipe.
 - 1 Burner tray trim.
 - 1 Control position label for Dream and Eternal.
 - 1 Battery
 - 1 Ceramic fuel effect pack (Not shown)
 - 2 No.8 x 3/8 screws (Black) for securing the flue restrictor.
 - 2 No.8 x 3/8 screws (Black) for securing the fascia.
 - 4 No.8 x 3/8 screws (Black) for securing the Dream hood.
 - 3 No.8 x 3/8 screws (Black) for securing the Obsession outlet baffle.
 - 1 Knurled screw for slider linkage.
 - 2 M5 x 10 countersunk screws for securing the slider control to the Dream fascia.
 - 4 M4 x 10 screws for securing the infill trims to the Dream fascia.

Section 2 - Fire front contains

- 1 Firefront casting
- 1 Front cover casting.
- 1 Fascia
- 1 Set of infill trims (Dream, Masquerade and Excelsior models)
- 1 Slider control (Dream, Masquerade and Excelsior models)
- 1 Hood (Dream, Masquerade and Excelsior models)

Remove all the items carefully to prevent damage. Take special care when handling the ceramic components. Some items may be contained in the packaging fittings - Examine the packaging carefully before discarding. Check that all the items are present and undamaged.

INSTALLER GUIDE

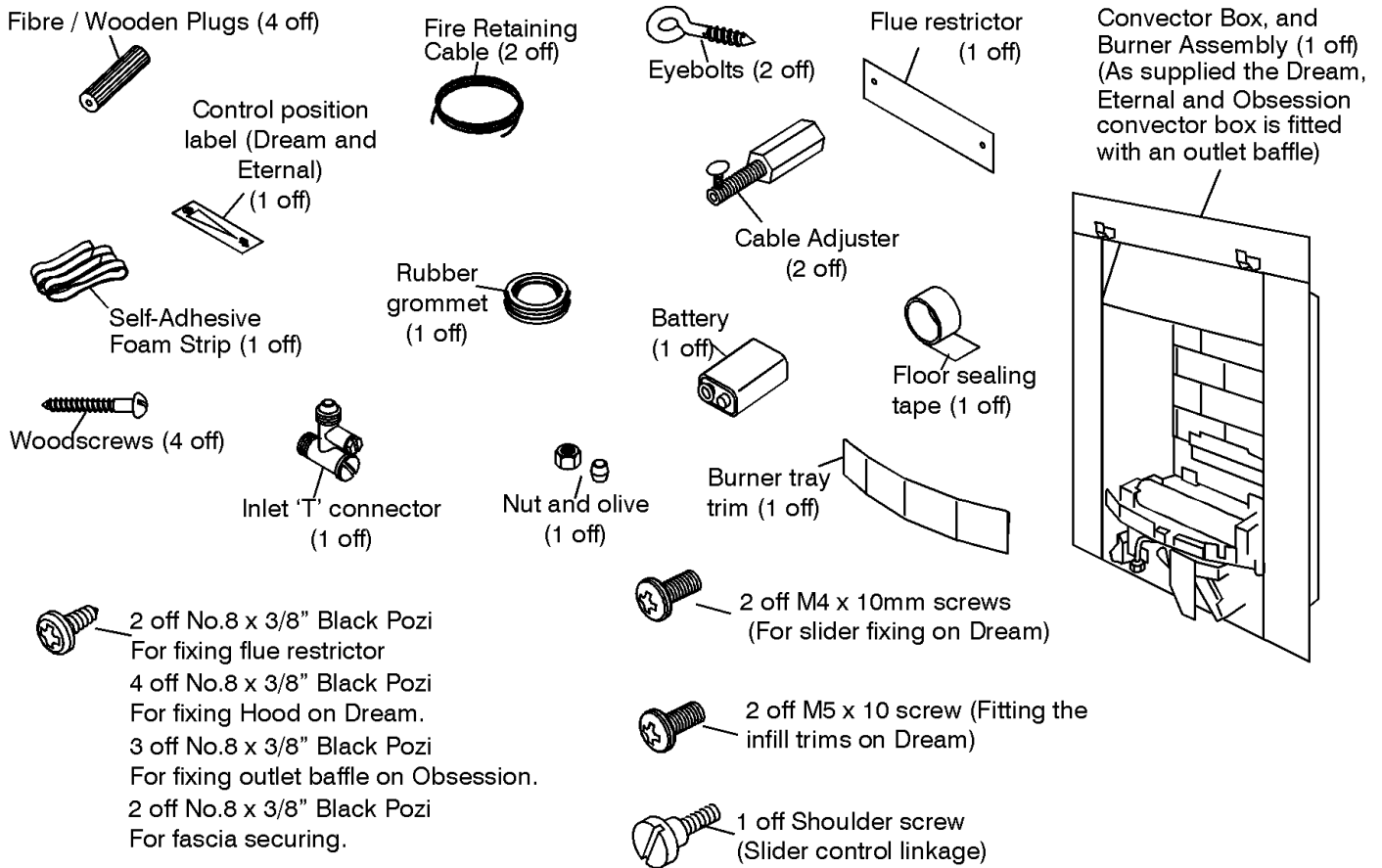


Figure 7. Pack contents

Dream, Masquerade and Excelsior

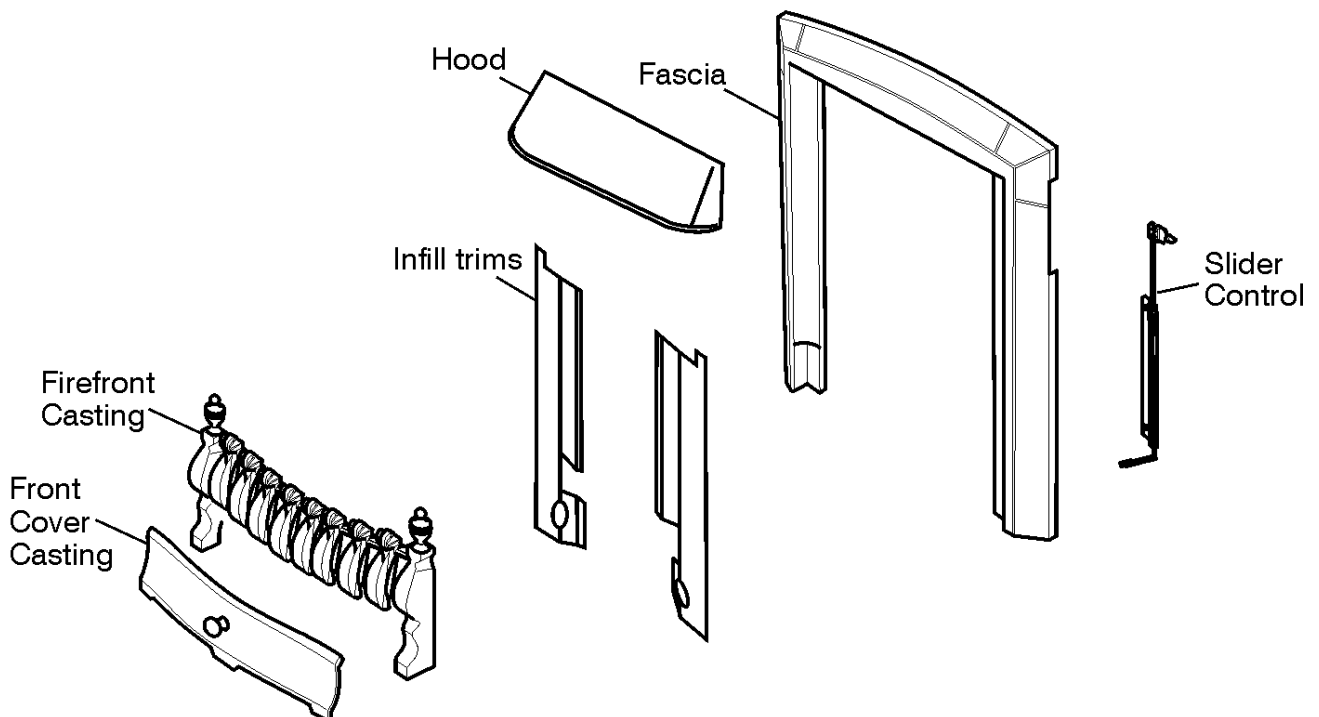
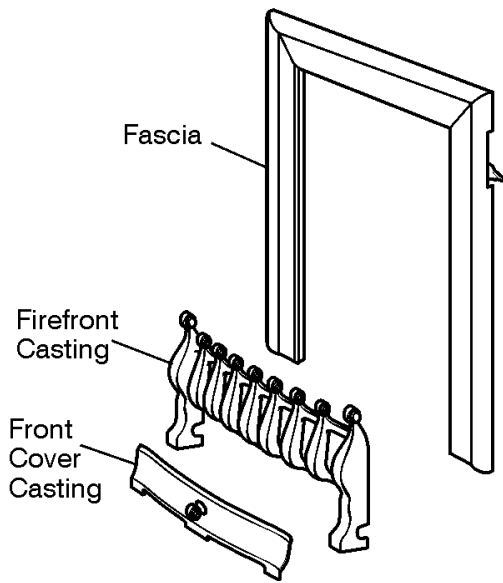


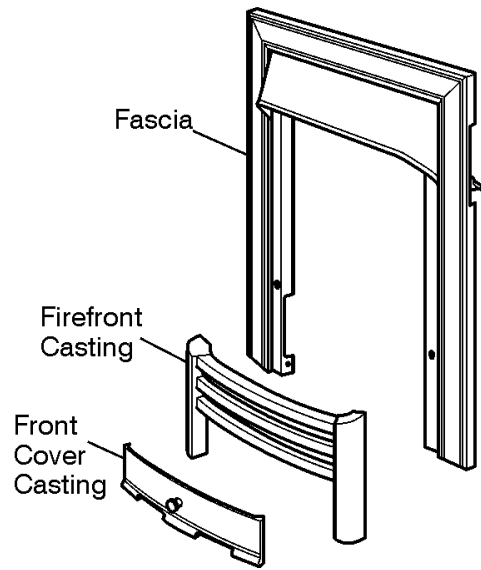
Figure 7. Pack contents continued (Firefront shown here may vary as per model)

INSTALLER GUIDE

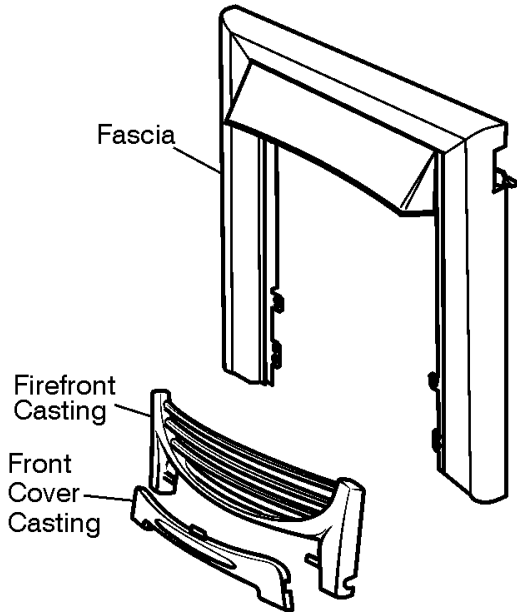
Alpha, Elegant



Eternal



Decadent



Obsession

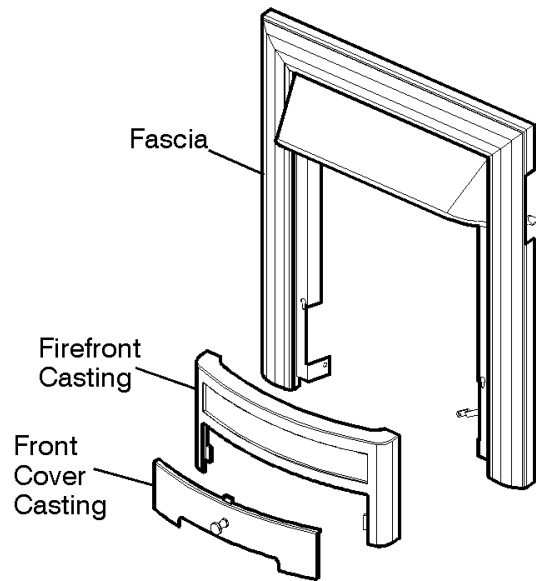


Figure 7. Pack contents continued

INSTALLER GUIDE

5. FIREPLACE CHECK

5.1 Soundness for appliance attachment.

Two primary methods of retaining the appliance are provided: -

- 1) By fixing to the fireplace front surround.
- 2) Using concealed fire retaining cables fixed to the rear of the fireplace opening together with secondary fixing to the fireplace floor.

The methods are detailed in section 9 of this manual. Before selecting the retention method, consult with the customer. Method 2 is provided for instances where drilling holes in the front surface of the fireplace surround is unacceptable to the customer or otherwise impractical. *N.B. It is unwise to attempt to drill into marble without the proper tools and equipment.*

If method 1 is chosen, make sure that the front surround area is sound enough to take the fibre plugs and woodscrews. If necessary, make sound with suitable cement. If method 2 is chosen, make sure that the areas at the back is sound enough to take the eyebolts. If these areas have deteriorated due to prolonged use, they should be made sound with suitable cement.

5.2 Fireplace flue pull.

Close all doors and windows in the room in which the appliance is to be installed.

After confirming with a match that smoke is drawn into the flue, light a 13 gram smoke pellet and check that there is a definite flow through the flue. Verify outside that the smoke exits from one terminal only and that the termination is suitable.

Observe where possible, upstairs rooms and loft spaces for signs of escaping smoke indicating a defective flue. If there is not a definite flow warm the flue for a few minutes and repeat the smoke pellet test. If there is still no definite flow the flue may need remedial work – **Do not fit the appliance until there is a definite flow through the flue.**

NOTE: This appliance is supplied with a **flue restrictor**, this should be fitted if the flue height is greater than 4.3m (14ft), with a good draught present.

Generally we recommend the flue restrictor is not fitted to precast flues or metal flue box installations.

There may be circumstances where fitting the restrictor causes the fire to fail the spillage test, in such cases the restrictor will have to be removed. After removal conduct the spillage test again.

INSTALLER GUIDE

6. IGNITION CHECK

Before attempting to install, it is worth checking that the electronic ignition system performs satisfactorily.

Fit the battery to the ignition block located below the burner tray at the left side (See figure 8). The +ve and -ve terminal positions are marked on the battery holder body.

– Depress the control pivot plate as far as it will go. This should close the ignition circuit. Sparks should be seen tracking from the electrode pin to the pilot tip (See figure 9).

– If there are no sparks make the following checks.

- Check condition of battery and that it is correctly
- If the above is satisfactory, check the ignition circuit and components - see the servicing and parts replacement section in this guide.

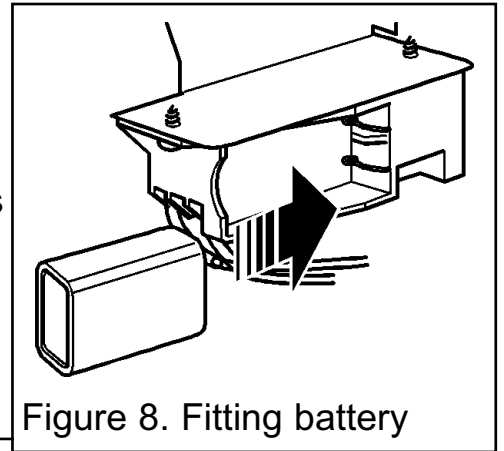


Figure 8. Fitting battery

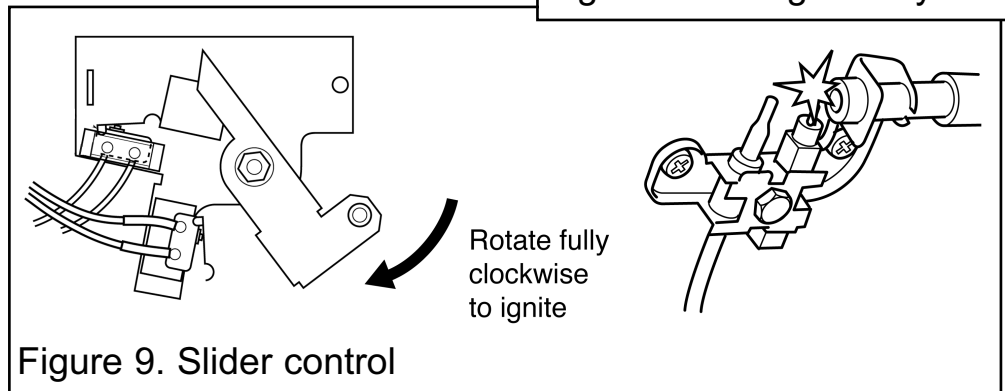


Figure 9. Slider control

7. GAS SUPPLY CONNECTION

A nut and olive are provided for an 8mm pipe inlet connection to the inlet 'T' connector at the bottom front of the appliance. The inlet 'T' connector can be rotated to allow a connection from any direction. The inlet 'T' connector includes a valve for isolating the gas supply and a pressure test point.

The supply pipe must be rigid material. Flexible pipe must not be used.

Concealed supply pipe connection.

If a concealed connection from inside the fireplace is required then, **before the appliance is fitted into the fireplace** it will be necessary to extend the supply line so that it will project through the hole in the back of the convector box and run to the inlet 'T' connector at the front. The pipe run from the supply line up to the rear opening in the convector box must be kept away from the area which will be taken by the convector box when it is installed. Note that the centre of the appliance inlet 'T' connector is 25mm above the fireplace floor. The inlet 'T' connector should be fitted to the supply pipe at this stage.

INSTALLER GUIDE

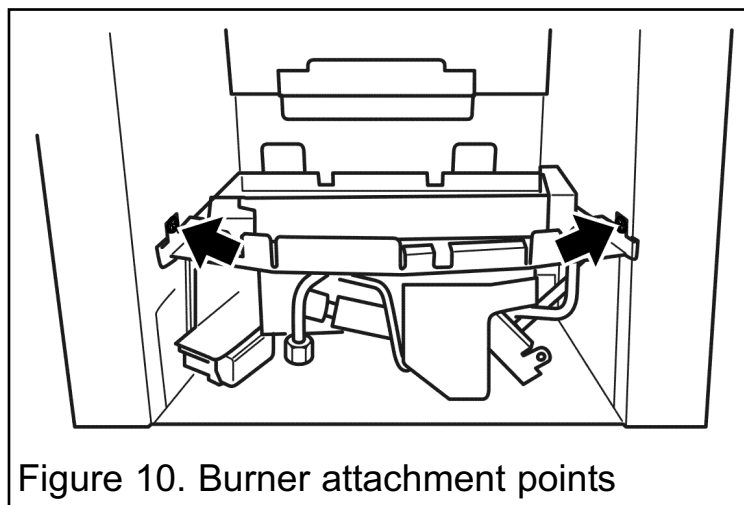
8. PREPARING APPLIANCE FOR INSTALLATION

8.1 Appliance preparation.

1. Remove any transit tape and packing and inspect for any evidence of mishandling which might affect the performance. Each unit is flame tested before it leaves the factory and as a result there may be slight discolouration around the burner ports.

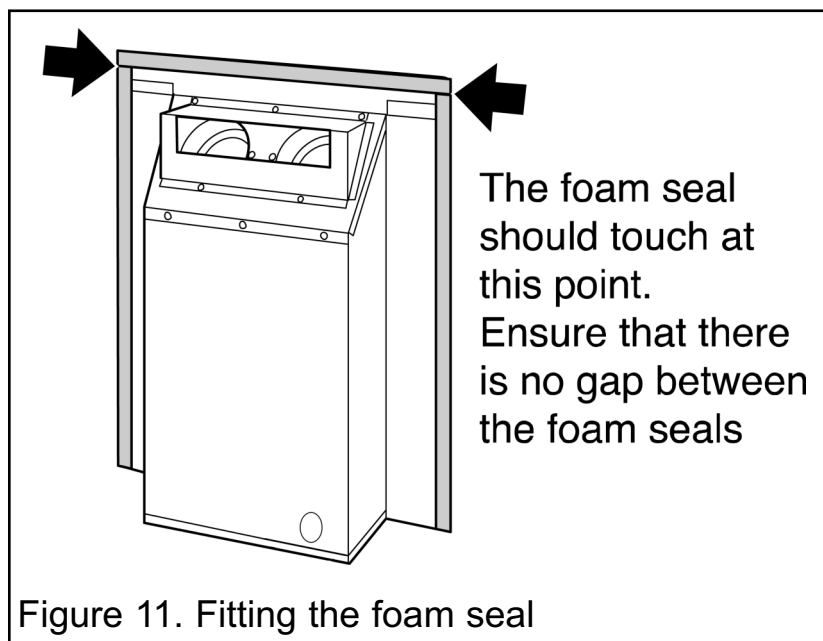
2. Detach the burner unit from the convector box by removing two screws (See figure 10). Lift the burner unit clear.

3. **It is important that the grommet supplied in the loose parts pack is fitted to the hole in the rear of the convector box.**



8.2 Fitting the foam seal.

There is a length of self adhesive foam seal supplied with the fire. This will need to be fitted to the outer rear edges of the side and top flanges of the convector box. Cut the foam seal to the required length. Be careful not to stretch the seal when measuring. Remove the protective backing from the foam seal and fit this to the rear of the convector box flange (See figure 11).



INSTALLER GUIDE

8.3 The flue restrictor.

This appliance is supplied with a flue restrictor for use where the flue draught is excessive. Generally we recommend the restrictor is NOT fitted where a precast flue, metal flue box or a flue liner is used, however, certain flues may work sufficiently to warrant its use. There may however, be circumstances where fitting the restrictor causes the fire to fail the spillage test. In such cases the restrictor will have to be removed. After removal conduct the spillage check again.

The restrictor is packed loose with the appliance and is fixed with two No.8 X 3/8 screws provided (See figure 12).

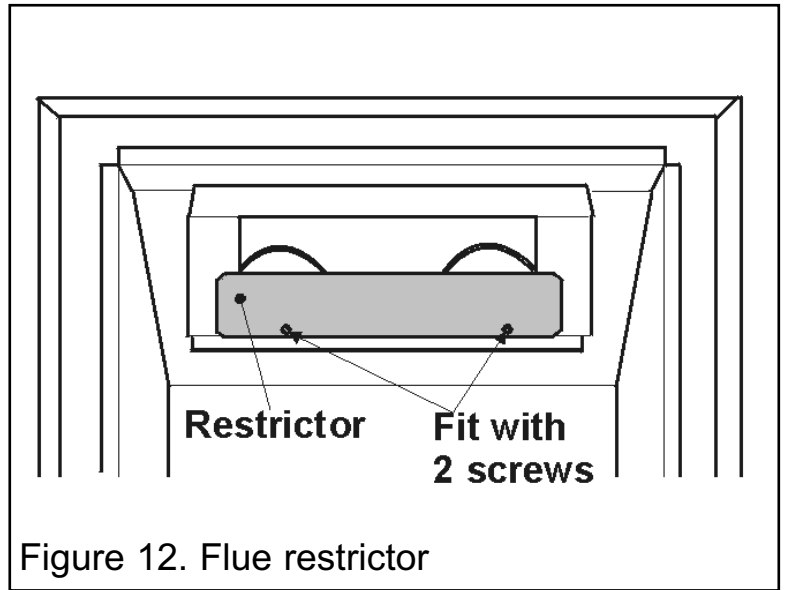


Figure 12. Flue restrictor

9. CONVECTION BOX INSTALLATION

9.1 Method 1- Front fixing to fireplace surround.

1. Make sure that the fireplace front surround area is sound enough to take the fibre plugs and woodscrews. If necessary, make sound with suitable cement.
2. Place the convection box centrally in the fireplace in the position in which it is to be permanently installed. If a concealed connection is being used, insert the convection box into the fireplace feeding the supply pipe through the pierced hole in the grommet.
3. Mark the fireplace front surround through the four fixing holes in the side flanges of the convector box (See figure 13).
4. Remove the convector box. Drill four holes in the fireplace front surround at the marked positions using a suitably sized masonry drill for the fibre plugs supplied.
5. Insert a fibre plug into each hole.
6. Place the convection box back in position in the fireplace.
7. Fit a woodscrew through each hole in the convection box flanges and tighten to seal the box to the fireplace surround.

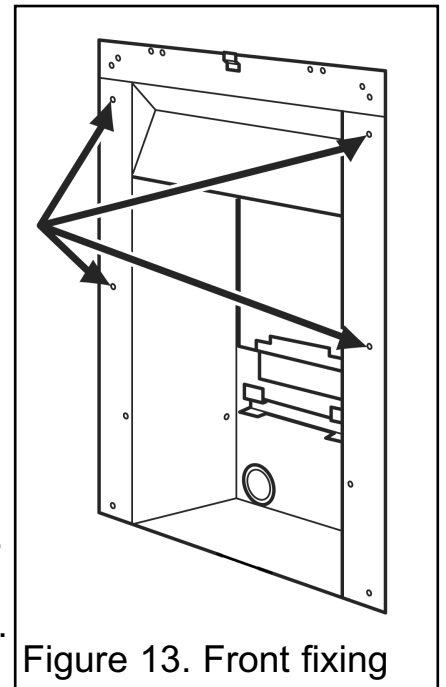


Figure 13. Front fixing

INSTALLER GUIDE

9.2 Method 2 - Cable retention.

1. Make sure that the relevant areas at the fireplace back are sound enough to take the eyebolts. If these areas have deteriorated due to prolonged use they should be made sound with suitable cement.

2. Drill two holes in the rear wall of the fireplace for the eyebolt plugs. The holes should be drilled within the range of positions shown in figure 14 using a suitably sized masonry drill for the fibre plugs supplied. The holes should be equidistant each side of the centre line of the fireplace to ensure that the appliance finishes centrally in the opening when tension is applied to the cables.

3. Insert a fibre plug into each hole. Use the fibre plugs supplied with this appliance - **Never use plastic plugs instead of the fibre plugs supplied.** Screw the eyebolts into the plugs. Make sure that the bolts are secure.

4. Place the convector box unit close to the fireplace but allow sufficient access into the fireplace opening so that the cables can be threaded through the eyebolts and returned through the back of the convector box. If a concealed connection is being used, insert the convector box into the fireplace feeding the supply pipe through the pierced hole in the rear seal.

5. The rear of the convection box has a slot and hole each side of the outlet opening. Assemble one end of the cable to the top of the fire by passing it through the small round hole and locking by positioning the cable in the adjacent slot (See figure 15). Give the cables a pull so that they grip.

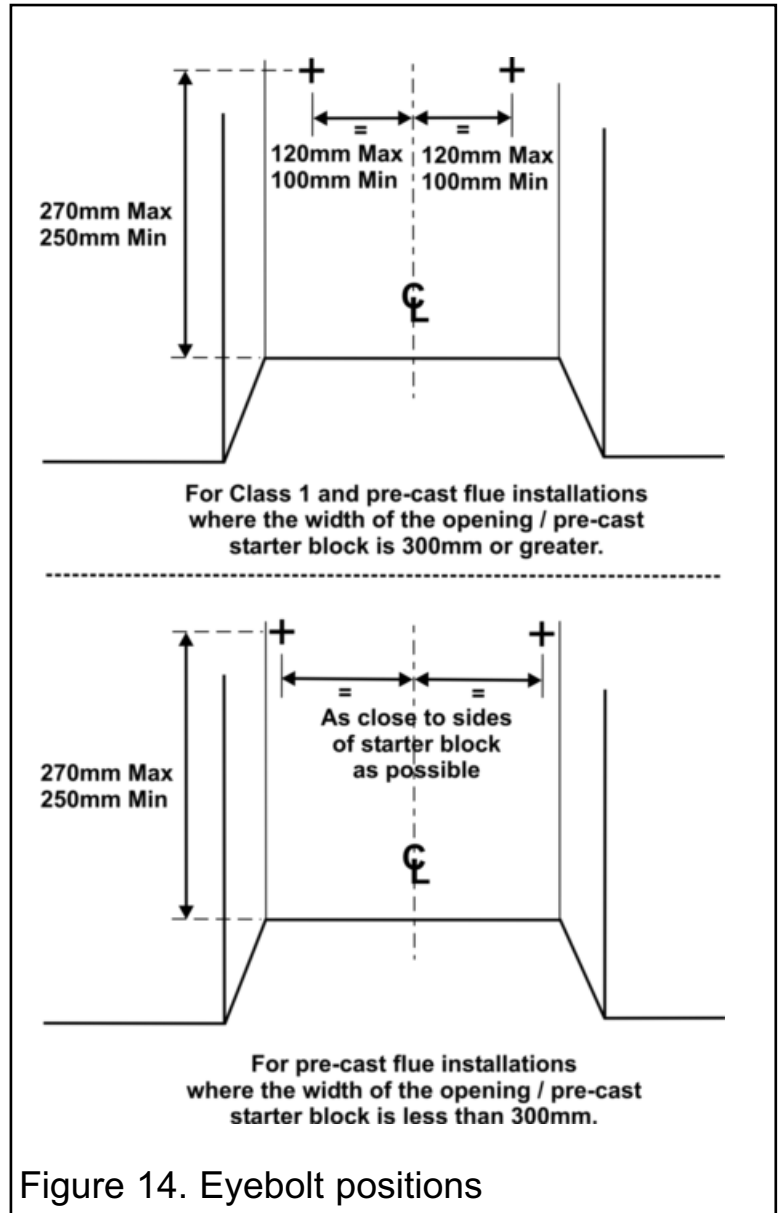


Figure 14. Eyebolt positions

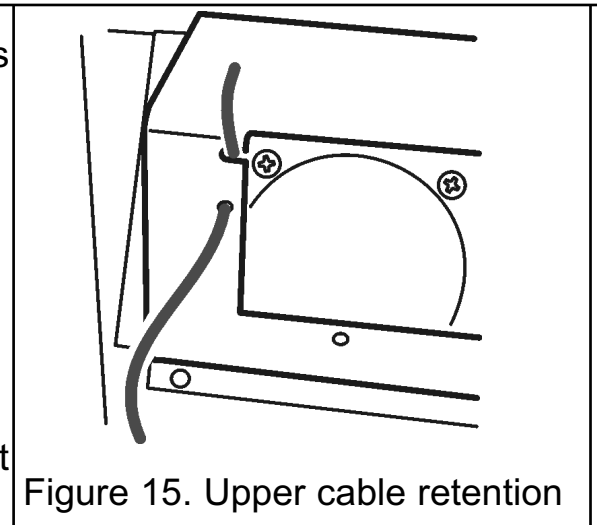


Figure 15. Upper cable retention

INSTALLER GUIDE

6. Thread the cables through the eyebolts in the rear wall. Return the cables through the holes near the bottom corners of the convection box back panel (See figure 16).

7. Place the convection box fully back into the fireplace opening so that it is sealed against the fireplace front surround.

8. Fit a cable retainer over the bottom end of each cable.

9. Pull each cable taut. Push the cable retainers hard up against the back panel. Tighten the screws in the retainers so that they clamp the cables in position. Apply tension to the cables by turning the hexagonal adjusters by hand (See figure 17).

10. Inspect the installation of the convection box against the fireplace surround. If the convection box is aligned squarely and the sealing is satisfactory, fully tighten the cable retainers.

11. If the convection box is not correctly aligned, release the tension on the cables by slackening the screws and turning the hexagonal adjusters fully anticlockwise. The convection box should then automatically realign

itself. Pull each cable taut again and push the cable retainers back against the back panel. Again, tighten the screws in the retainers and apply tension to the cables by turning the hexagonal adjusters clockwise as far as possible.

12. Push the free length of the cables inside the convection box so that they are available to allow easy removal and refitting of the appliance during subsequent service calls.

9.3 Floor sealing.

Using the floor sealing tape supplied, seal the bottom of the convector box to the fireplace and hearth floor (See figure 18).

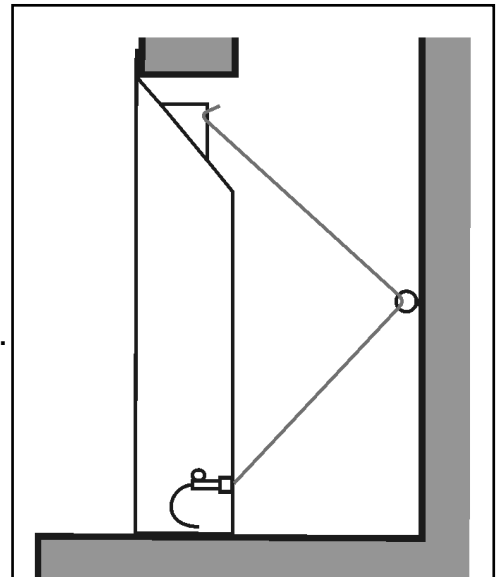


Figure 16. Cable route

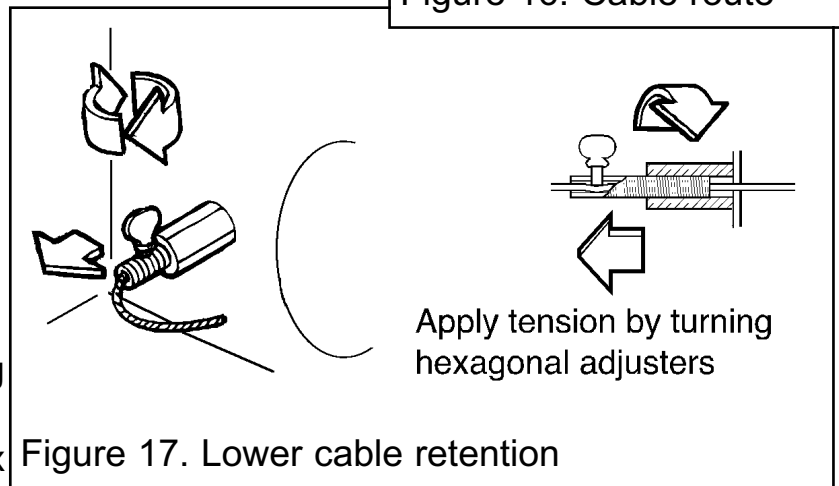


Figure 17. Lower cable retention

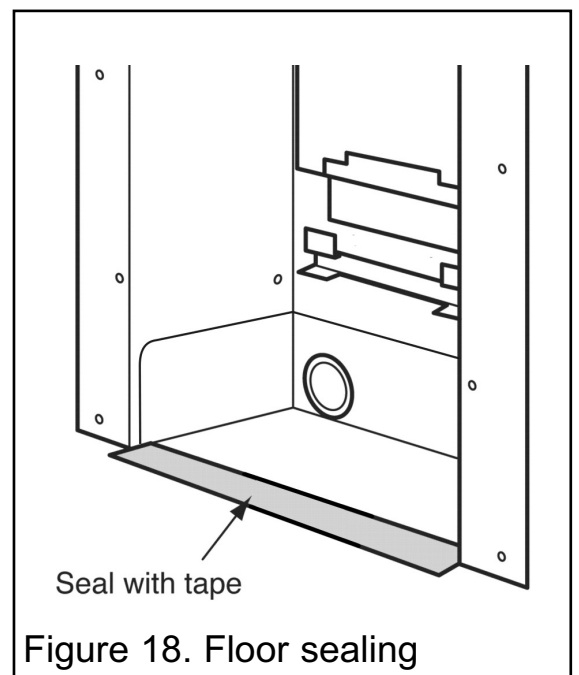


Figure 18. Floor sealing

10. BURNER INSTALLATION

10.1 Burner and supply pipe installation.

1. Refit the burner unit to the convection box with two screws.
2. Connect the supply line to the appliance.
3. Pressure check the installation pipework for gas soundness. In the United Kingdom check in accordance with the current edition of BS6891. In the Republic of Ireland refer to the current edition of I.S. 813 "Domestic gas installations"

10.2 Preliminary burner checks.

Some burner operations can be checked at this stage. Checking now will mean that less disassembly will be required if any problems are found. A full check should still be made, however, after final installation

10.2.1 Lighting the burner.

1. If closed, open the isolating valve at the inlet 'T' connector.
2. Depress the control pivot plate as far as it will go and hold in this position (See section 6, figure 9). This should close the ignition circuit and (now that the gas is connected) simultaneously open the gas tap allowing the gas to flow to the pilot. Wait a few seconds while the air is purged. The electronically generated sparks should light the pilot. The pilot should then light the main burner at its low setting. There may be a delay of up to four seconds between the pilot lighting and ignition of the gas at the main burner. This is normal and is due to the time required to fill the main burner compartment with sufficient gas for ignition.

10.2.2 Operating the burner.

1. When the burner is operating properly, gradually rotate the control pivot plate in an anticlockwise direction. The burner flames should gradually increase until the control pivot plate is nearly at its highest position. You should feel some resistance when the control pivot plate reaches the maximum burner flame position. Rotating further until the control pivot plate comes to a stop should then turn the burner and pilot off. If the above checks are satisfactory, continue with the installation. If not, check the control and ignition circuitry and components as described in the servicing section of this manual.

INSTALLER GUIDE

10.3 Inlet pressure check.

The appliance is pre-set to give the correct heat input at the inlet pressure shown in section 2 of this manual. No adjustment is necessary.

1. Check the inlet pressure by fitting a pressure gauge at the test point. The test point is on the inlet 'T' connector (See figure 19). Check the pressure with the appliance alight and set at maximum output.
2. After checking, turn off the appliance. Remove the pressure gauge and replace the test point sealing screw.

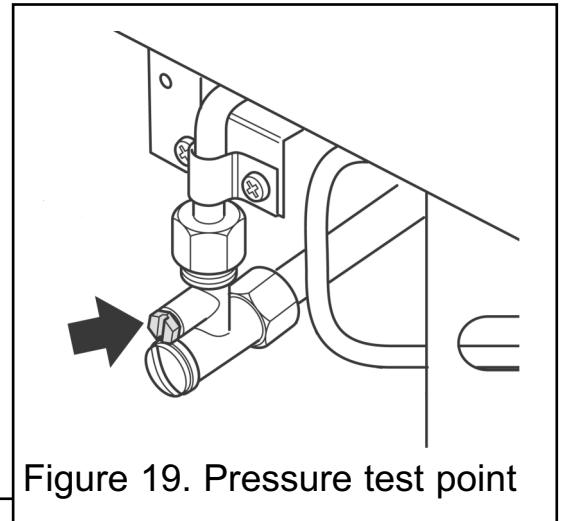


Figure 19. Pressure test point

When the above checks from section 10.2 and 10.3 have been completed close the isolating valve on the inlet 'T' connector.

10.4 Fitting the burner tray trim.

1. Fit the burner tray trim over the front rim of the burner tray. Push the trim fully down (See figure 20).

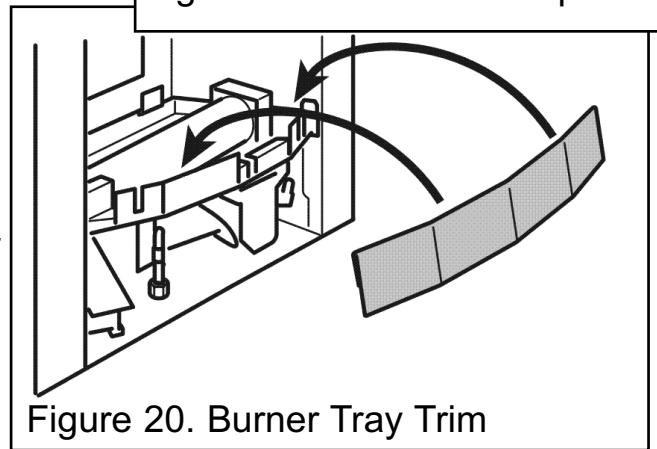


Figure 20. Burner Tray Trim

11. FITTING THE FASCIA

1. Slide the control button upwards as far as it will go. Make sure that the bottom of the linking bar is higher than the bottom of the fascia. Place the fascia against the fireplace front surface so that the two retaining plates at the back of the fascia are directly above the two upper retaining brackets at the top of the convection box. Lower the fascia making sure that the retaining plates locate fully over the brackets on the convection box (See figure 21).

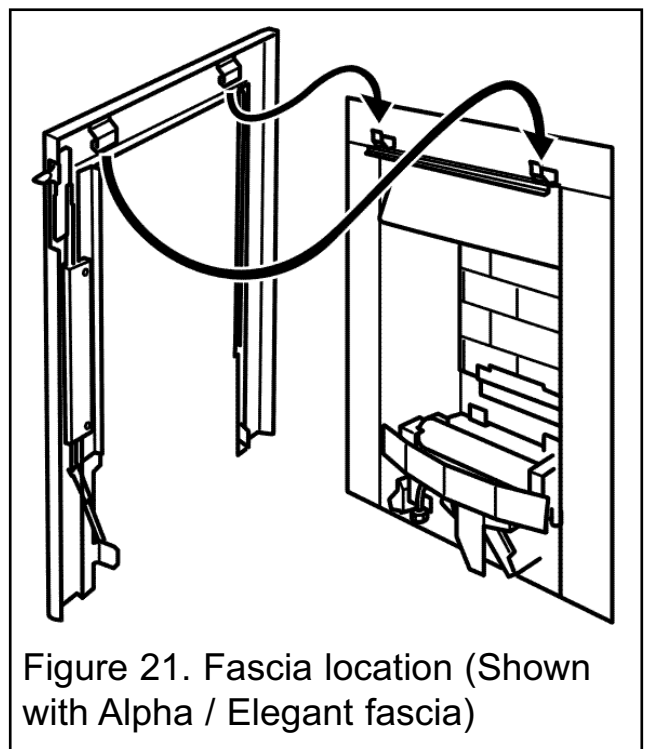


Figure 21. Fascia location (Shown with Alpha / Elegant fascia)

INSTALLER GUIDE

2. Swing the bottom control linking bar towards the centre of the fire to clear the right side of the fascia. Slide the fascia sideways, if necessary, to align the bottom fixing holes with those in the convection box (This will not be possible on the Dream). Fix the bottom of the fascia unit to the convection box with two No.8 x 3/8 screws (See figure 22).

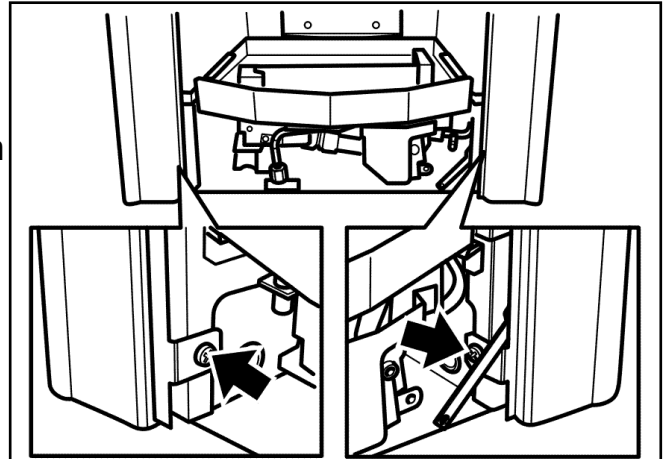


Figure 22. Fascia bottom location.

3. Connect the control linkage to the control pivot plate using the shouldered screw and using a screwdriver (Not finger tight only) (See figure 23).

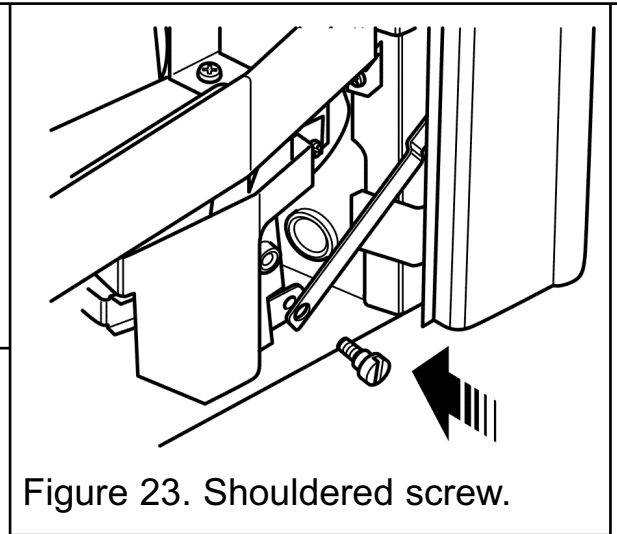


Figure 23. Shouldered screw.

Dream, Eternal and Obsession models only.

1. Supplied with the fire is a self adhesive control position label. Peel the backing from the label and place as in figure 24.

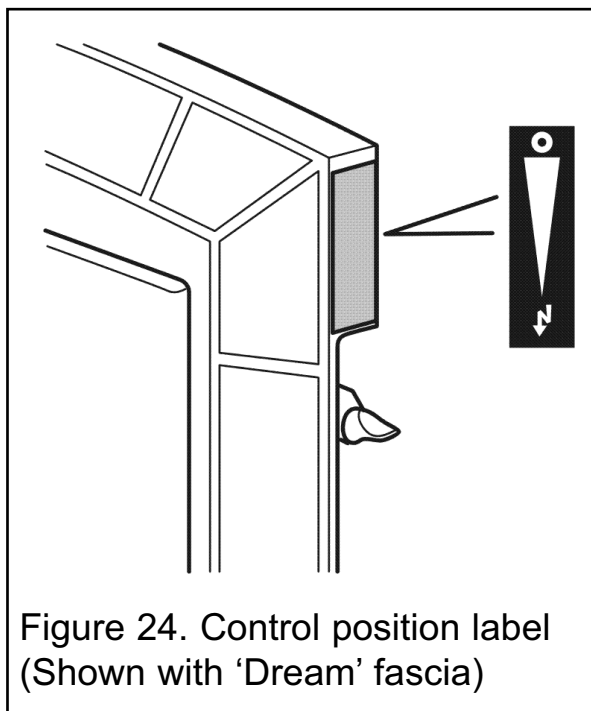


Figure 24. Control position label (Shown with 'Dream' fascia)

12. FITTING THE CERAMIC FUEL EFFECT

The installer and owner guide for the ceramic fuel effect is supplied with the ceramic fuel effect. It is important that the fitting guide for the ceramic fuel effect be placed inside or attached to this guide and handed to the customer following completion of the 'Final review' section.

13. FIREFRONT CASTING INSTALLATION

13.1 Fitting the Alpha, Eternal, Elegant and Obsession firefront casting.

1. Fit the fire front casting to the fascia. Locate the two screw heads at the rear top corners of the casting through the keyhole slots at the inner sides of the fascia. If the screw heads do not project enough or project too far, the screws can be adjusted. Lower the casting so that it rests on the hearth (See figure 25).
2. Place the bottom front cover casting in position below the fire front casting.

13.2 Fitting the Dream, Masquerade and Excelsior firefront castings.

1. Place the firefront casting centrally on the hearth in front of the fascia.
2. Place the bottom front cover casting in position below the firefront casting.

13.3 Fitting the Decadent firefront casting.

1. Check that the two screws in the back of the fire front casting are in the outer threaded holes. If they are in the inner holes, relocate them (See figure 26).
2. Locate the two screw heads through the keyhole slots at the inner sides of the fascia. If the screw heads do not project enough or project too far, the screws can be adjusted. Lower the casting so that it rests on the hearth (See figure 25).
3. Fit the front cover casting below the front casting locating it as shown in figure 27.

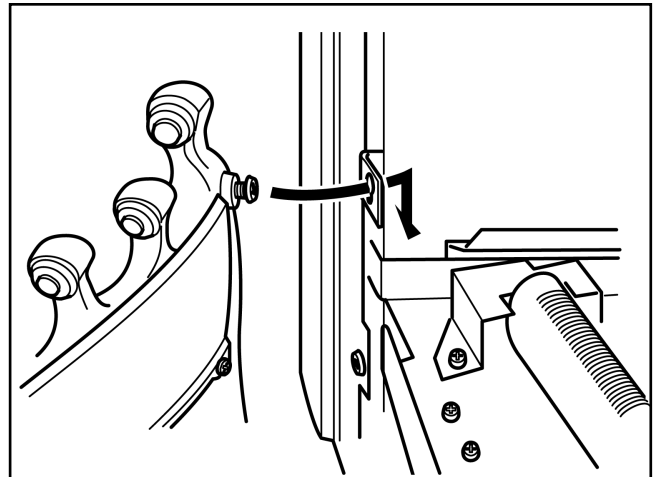


Figure 25. Firefront casting location (Shown with Alpha / Elegant casting)

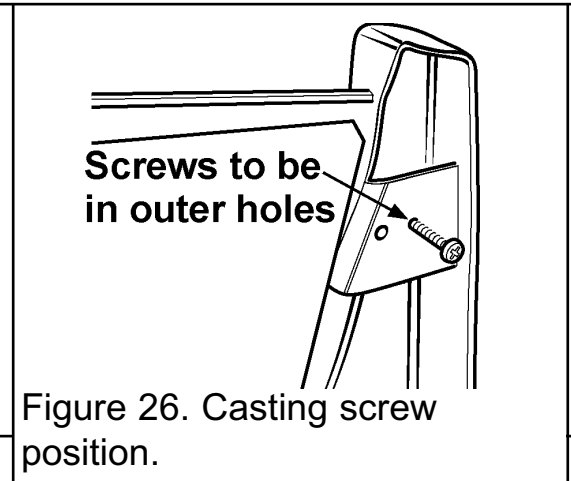


Figure 26. Casting screw position.

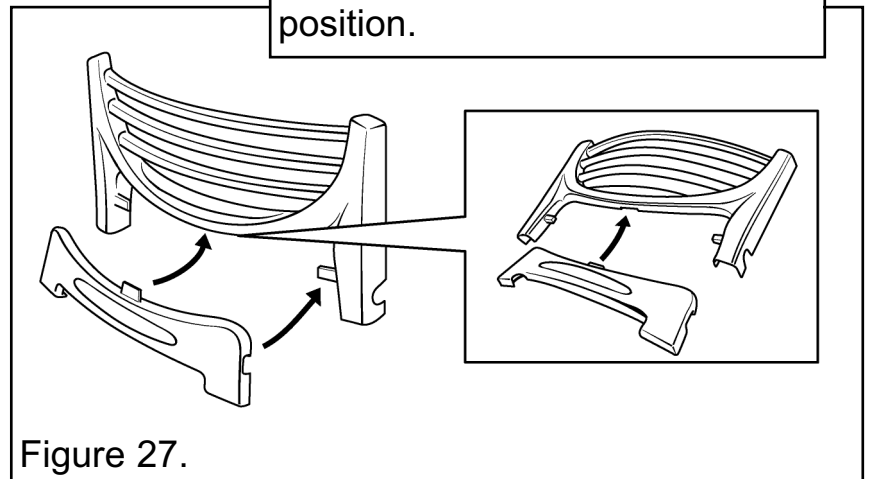


Figure 27.

INSTALLER GUIDE

14. FULL OPERATING CHECKS

Open the isolating valve on the inlet 'T' connector.

14.1 Recheck the control settings.


The control position markings on the fascia are shown in figure 28.

Please note:

- When first turned on from cold, the flames will appear predominantly blue.
- When operating the fire for the first time, some vapours may be given off which could set off smoke alarms in the vicinity. These vapours are quite normal with new appliances. They are totally harmless and will disappear after a few hours use.

14.2 Lighting the burner.

1. Make sure the slider button is at the 'OFF' position (At topmost position marked "O" on the fascia).

2. Slide the button to the bottom (ignition) position marked . Retain in this position to ignite the pilot. The burner should ignite at its lowest setting within 4 seconds of the pilot igniting. Keep at this position for a further 10 seconds to allow the pilot flame to stabilise.

3. Release the button. The button should automatically spring up to the low heat position. If for any reason the slider control does not spring up, raise the slider to the topmost (Off) position and investigate why the slider is not operating correctly. If the flames go out at this stage or when checking the rest of the setting positions, try the full lighting sequence again. If the flames fail after two attempts, investigate the pilot unit.

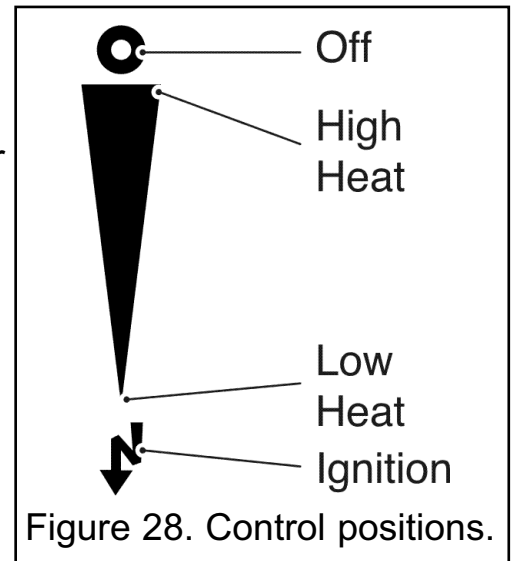
14.3 Operating the burner.

1. Gradually slide the button up to increase the burner setting. The burner should be at its maximum setting at the high heat position shown in figure 28. You should feel a check to the button movement at this position.

2. Slide the control button up past the high heat position to the off ("O") position at the top of the slide slot. Both pilot and main burner should go out.

While cooling the ceramic fuel effect pieces may make some crackling noises. This is quite normal.

3. Check that the control linkage bar does not interfere with the appliance cable retention nuts or wires.



INSTALLER GUIDE

15. SPILLAGE AND FLAME SUPERVISION CHECKS

15.1 Check for spillage.

A spillage check must be made before leaving the installed appliance with the customer. Make this with all the ceramic fuel effect pieces, fascia and firefront in position.

1. Close all doors and windows in the room containing the appliance.
2. Light the appliance and set the slide control to the maximum burning position.
3. Leave the appliance on for five minutes.
4. Place the smoke match into the appliance canopy (See figure 29).
5. The installation is satisfactory if the smoke is drawn into the appliance. If the smoke is not drawn into the appliance, leave the appliance alight at the maximum setting for a further ten minutes and then repeat the test. If smoke is still not drawn into the appliance, inspect the sealing to the fireplace surround. If the sealing is satisfactory but the appliance is installed with the flue restrictor (See section 8.3), remove the restrictor, reseal the appliance and retest. If smoke is still not drawn into the appliance, disconnect the appliance and seek expert advice.

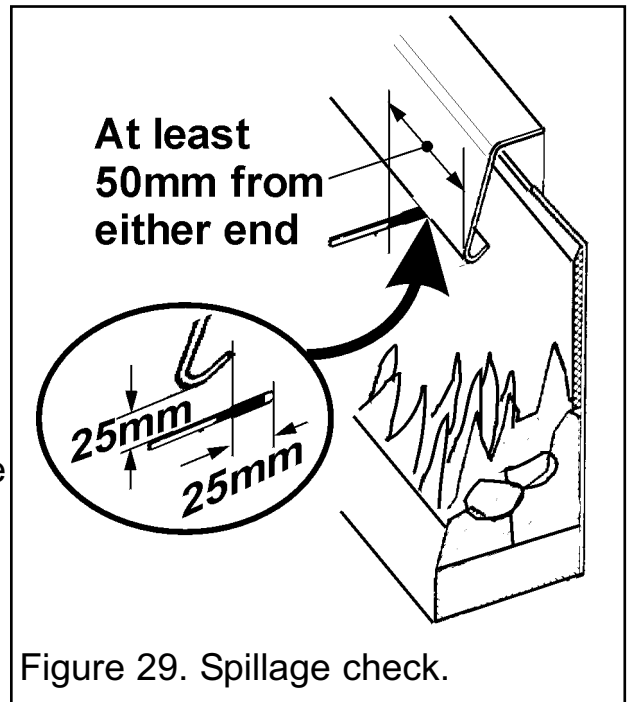


Figure 29. Spillage check.

6. If the above test is satisfactory, open all internal connecting doors, hatches, etc., in the room. Keep all doors and windows that open to the outside of the building closed. Recheck for spillage as above. If an extractor fan is installed in the same room as the appliance or a connecting room, check that spillage does not occur with the fan operating and all doors and other openings between the fan and the appliance open. If the smoke is drawn into the appliance, continue with the installation. **If the test is not satisfactory, disconnect the appliance and advise the customer of the cause of failure.**

15.2 Flame supervision and spillage monitoring system.

This pilot unit includes a system that will automatically shut off the gas supply if the pilot flame goes out or if there is insufficient oxygen due to spillage or poor ventilation. Check that the system operates properly as follows;

1. Light the appliance. Set the slide control to the maximum burning position and leave for one minute.
2. Set the control to the 'Low' burning position. Isolate the gas supply at the inlet 'T' connector. The pilot and main burner will go out. **Note the time when the pilot goes**

INSTALLER GUIDE

out. Listen for a snap sound at the gas tap. **Note the time when the sound is heard.** This sound is caused by an electromagnetic valve shutting off the gas supply through the tap. The valve is located in the body of the tap. The valve should operate **within 60 seconds of the pilot going out.** If the valve does not operate within this time limit do not allow the appliance to be used until the fault has been corrected.

This monitoring system must not be adjusted, bypassed or put out of operation.

This monitoring system, or any of its parts, must only be exchanged using authorised parts.

3. Open the isolating valve on the inlet 'T' connector. Screw on the end cap and test for gas soundness using a suitable leak detector.

4. Set the slider to the "OFF" position.

INSTALLER GUIDE

16. FINAL REVIEW

- 1. COMPLETE THE INFORMATION IN THE WARRANTY AND SERVICE SECTION OF THE OWNER GUIDE (See last pages of the OWNER guide).**
2. Visually inspect the appliance. Clean off any marks incurred during installation.
3. Advise the customer how to operate the fire.
4. Explain to the customer that the appliance has a flame failure and spillage monitoring system. Point out the explanation of this system shown in the owner guide. Advise that if the fire goes out for any reason, wait at least three minutes before relighting. Stress that if the monitoring system repeatedly shuts off the fire, the appliance should be switched off and a specialist should be consulted. Point out that the lighting instruction details are on a label attached at the bottom of the appliance.
5. Advise that the fire may give off a slight odour while new. This is quite normal and it will disappear after a short period of use.
6. Advise that any cleaning must only be carried out when the fire is off and cold.
7. Advise the customer that they should read the owner guide before operating the fire and always follow the advice in the section headed "Cleaning your fire".
8. Advise the customer that the appliance will operate to its maximum potential if the flue is primed during the first 20 – 30 minutes of use. To do this, simply set the control to its highest setting. This will also burn off any carbon deposits that may have formed during previous use.
If using the appliance for long periods it is beneficial to change between settings. This will also help to remove any carbon deposits that may form during use.
9. Recommend that the appliance should be serviced and the chimney inspected by a competent person at least annually.
If the appliance is in premises in the United Kingdom occupied by a tenant, point out that by law a landlord must have any gas appliance, flue and pipework which is situated in a tenant's premises checked for safety at least every 12 months.
10. Advise the customer that the castings, fascia, firebox and ceramic pieces can be cleaned as described in the owner guide and that the loose ceramic fuel effect pieces must be replaced as described in the instructions supplied with them.
Stress that no extra ceramic fuel effect pieces must be added over and above those supplied with the appliance and that any replacements must only be the authorised spares. Warn that ignoring this advice could cause incomplete clearance of the products of combustion with consequent health hazards.
11. Inform the customer that the Serial number for the appliance is located on the information label, located behind the lower front casting and underneath the burner (See figure 6 on page 55).
12. Hand the literature pack with this guide to the customer.

INSTALLER GUIDE

17. SERVICING & PARTS REPLACEMENT

- Always turn off the gas supply and allow to cool completely before commencing any servicing (The appliance inlet “T” connector incorporates an isolating valve).
- It is recommended that, at least once a year, the appliance is disconnected and the fireplace opening checked and cleared of any debris.
- This product uses fuel effect pieces and burner compartment walls containing Refractory Ceramic Fibres (RCF), which are man-made vitreous silicate fibres. Excessive exposure to these materials may cause irritation to eyes, skin and respiratory tract. Consequently, it is important to take care when handling these articles to ensure that the release of dust is kept to a minimum. To ensure that the release of fibres from these RCF articles is kept to a minimum, during installation and servicing we recommend that you use a HEPA filtered vacuum to remove any dust and soot accumulated in and around the fire before and after working on the fire. When replacing these articles we recommend that the replaced items are not broken up, but are sealed within a heavy duty polythene bag, clearly labelled as RCF waste. RCF waste is classed as a stable, non-reactive hazardous waste and may be disposed at a landfill licensed to accept such waste. Protective clothing is not required when handling these articles, but we recommend you follow the normal hygiene rules of not smoking, eating or drinking in the work area and always wash your hands before eating or drinking.
- This appliance does not contain any component manufactured from asbestos or asbestos related products.
- Check that the appliance is clean and that soot or debris is not blocking the gaps between the ceramic fuel effect pieces causing an imperfect flame.
- Check that soot or debris is not impairing the electrode spark or pilot burner.
- Check that soot or debris is not blocking any of the holes in the main burner.
- After servicing, make sure that the ceramic rear wall and ceramic fuel effect pieces are replaced correctly as described in the installer and owner guide supplied with the ceramic fuel effect. The installer and owner guide supplied with the ceramic fuel effect should be placed inside or attached to this guide.
- Always test for gas soundness and spillage after servicing the appliance.

INSTALLER GUIDE

17.1 Checking the aeration setting of the burner.

1. The aeration shutter is factory set and should not require adjustment. If the shutter is not as shown in figure 30 and requires adjustment, loosen the two aeration shutter screws, slide the aeration shutter to the position shown in figure 30 and tighten the fixing screws.

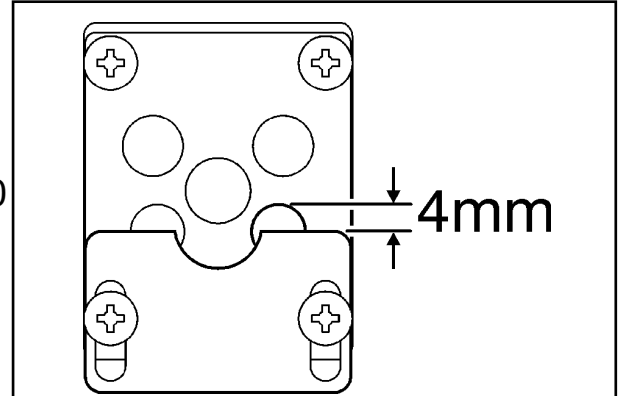


Figure 30. Aeration shutter setting

17.2 To remove the ignition microswitch.

(See figures 31 & 32).

1. Remove the firefront casting and the front cover casting.

2. Disconnect the leads from the ignition microswitch (The lower of the two microswitches - See figure 31).

3. Detach the microswitch and insulation pad by removing two screws.

4. Replace in the reverse order.

5. Check that the microswitch operates correctly by fully closing it and observing that there are sparks at the pilot electrode.

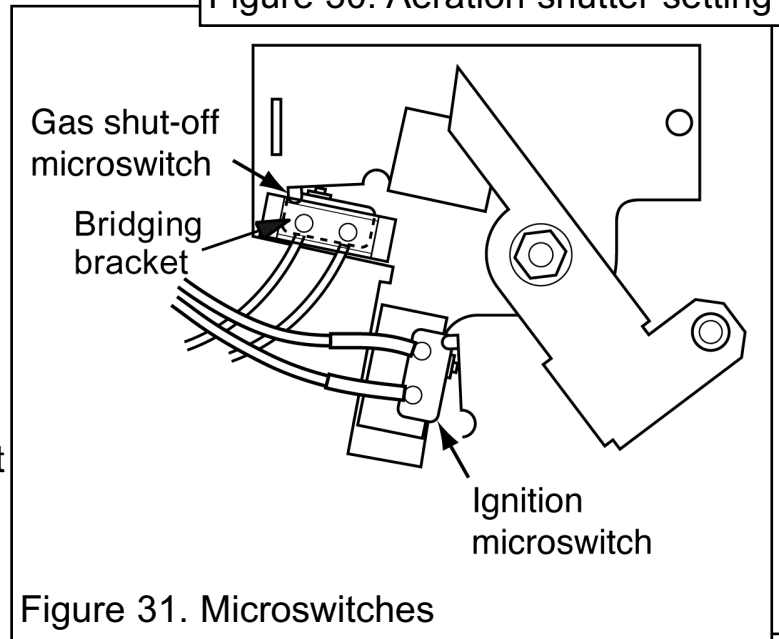


Figure 31. Microswitches

17.3 To remove the gas shut-off microswitch.

(See figures 31 & 32).

1. Remove the firefront casting and the front cover casting.

2. Loosen the thermocouple nut to free the microswitch leads and pull the leads clear of the thermocouple interrupter block (See figure 32).

3. Detach the bridging bracket, microswitch assembly by removing two screws (See figure 31).

4. Replace in the reverse order. When refitting the leads to the interrupter block, make sure that they are secured firmly to give a good electrical contact.

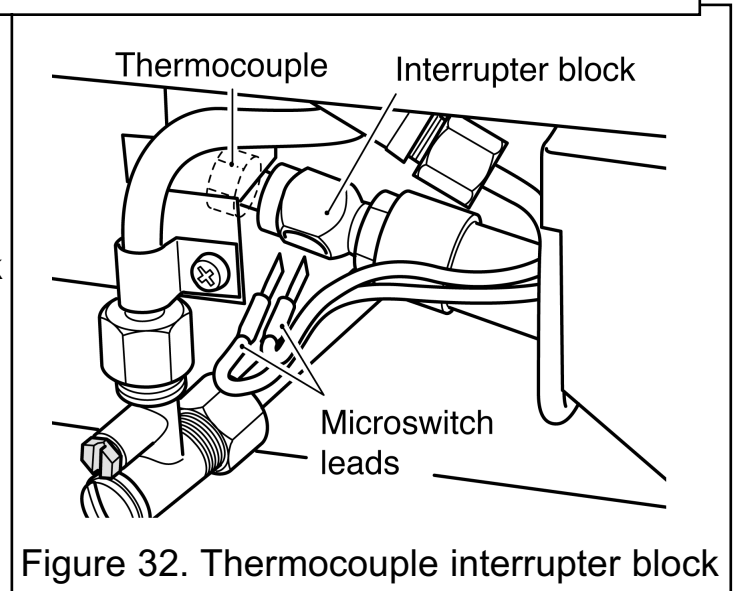


Figure 32. Thermocouple interrupter block

INSTALLER GUIDE

17.4 To remove the fascia.

1. Remove the firefront casting and the front cover casting.
2. Detach the control-linking bar from the control pivot bracket by removing the knurled screw, which joins the control linking bar to the control pivot unit (See figure 33).
3. Remove the two screws securing the bottom of the fascia to the sides of the convection box.
4. **Make sure that the control linking bar has been detached (See point 2).** Carefully lift the fascia upward to clear the upper retaining brackets on the convection box (See figure 34). Pull the fascia clear and place carefully aside.
5. Refit in the reverse order. Make sure that the fascia is properly located over the upper retaining brackets. See section 11 of this guide for detailed fitting instructions.

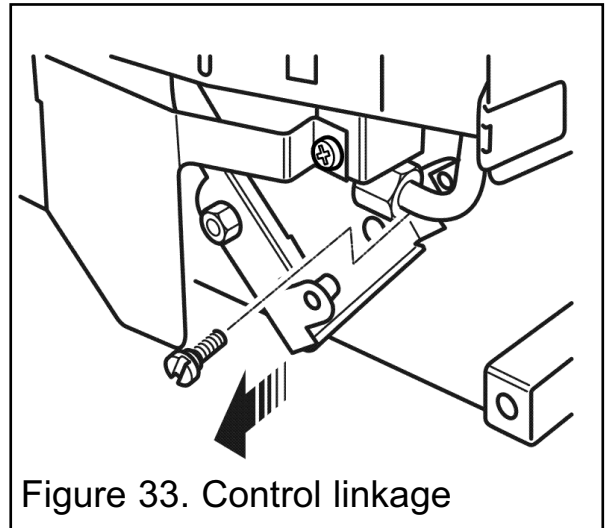


Figure 33. Control linkage

17.5 To replace the control slide button.

1. Remove the fascia (See section 17.4).
2. Detach the slider control from the fascia by removing two screws (See figure 35).
3. Detach the control slide button from the extension bracket by removing two screws (See figure 36).
4. Replace in the reverse order.

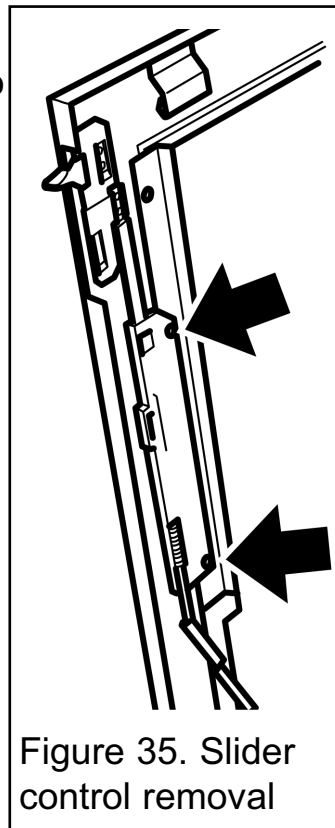


Figure 35. Slider control removal

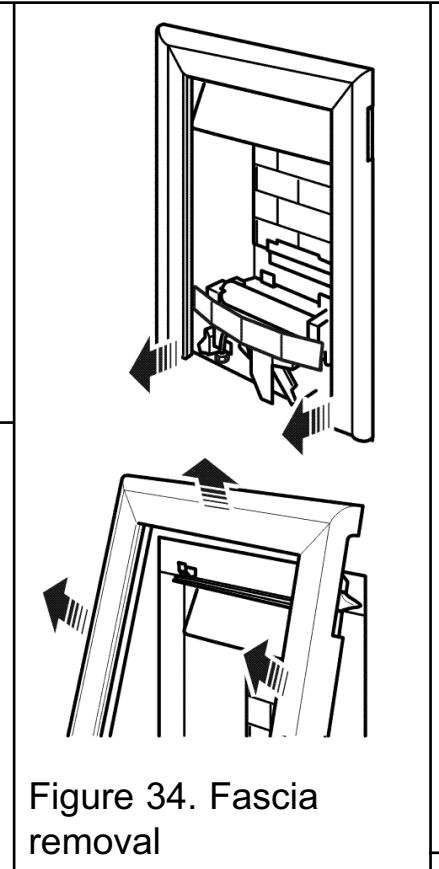


Figure 34. Fascia removal

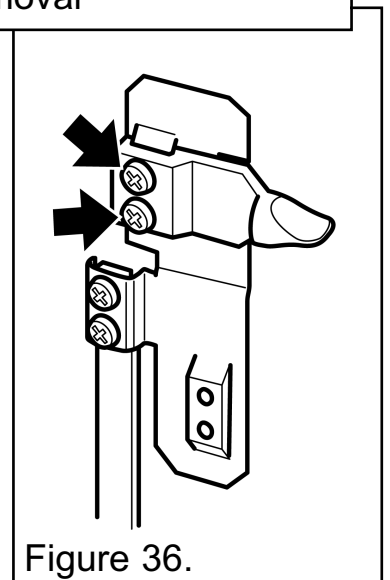


Figure 36.

INSTALLER GUIDE

17.6 To remove the burner unit.

1. Remove the fascia (See section 17.4).
2. Remove the loose ceramic fuel effect.
3. Support the inlet 'T' connector to avoid straining the pipework and disconnect the appliance from the inlet 'T' connector.
4. Detach the burner unit from the convection box by removing two screws (See figure 37).
5. Replace in the reverse order.

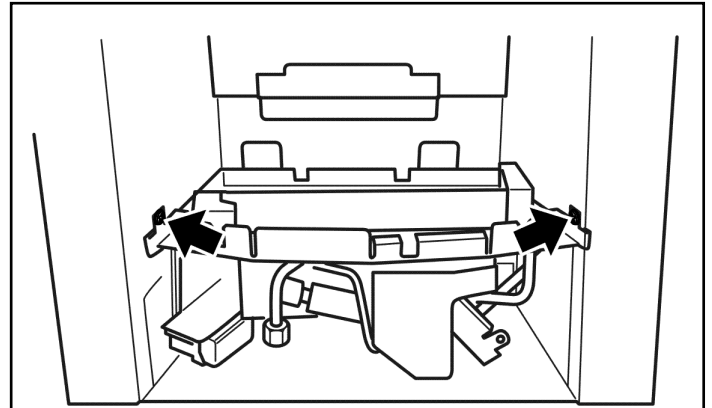


Figure 37. Burner attachment points

17.7 To remove the electronic ignition generator.

1. Remove the burner unit (See section 17.6)
2. Remove the battery.
3. Remove the spark lead and microswitch leads remembering to make note of their positions.
5. Unscrew the two fixing screws that attach the generator unit to the support bracket. The igniter generator can now be removed (See figure 38).
8. Replace the generator
9. Refit in the reverse order.

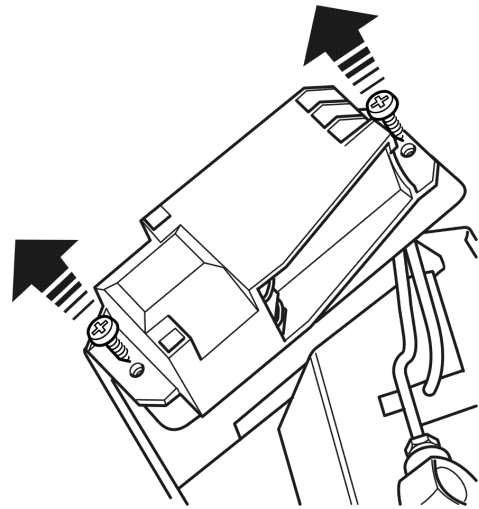


Figure 38. Removal of electronic spark generator

17.8 To remove the thermocouple interrupter block.

(See figure 39).

1. Remove the burner unit (See section 17.6).
2. Detach the thermocouple from the interrupter block by unscrewing the thermocouple nut.
3. Detach the two microswitch leads from the interrupter block.
4. Remove the interrupter block by unscrewing from the gas shut-off tap.
5. Refit in the reverse order. If the microswitch leads cannot be easily attached to the interrupter block when it is fully tightened to the gas shut-off tap, slacken it and rotate to allow the leads to be fitted. Retighten making sure that the leads remain in place in the interrupter block. Fit and tighten the thermocouple nut making sure that the leads are secured in the interrupter block to give a good electrical contact. Do not overtighten the nut.

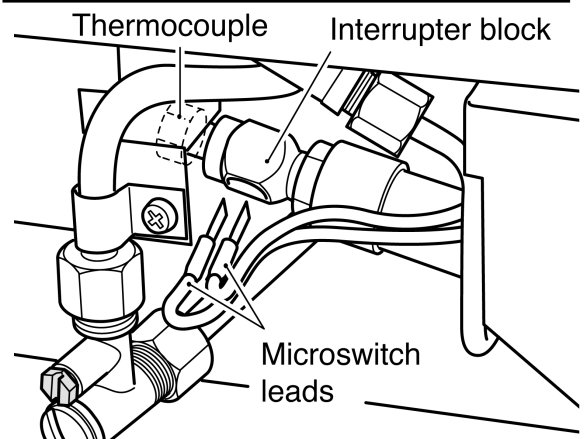


Figure 39. Thermocouple interrupter block

INSTALLER GUIDE

17.9 To remove the pilot unit.

1. Remove the burner unit (See section 17.6).
2. Detach the pilot pipe from the pilot unit.
3. Detach the thermocouple from the interrupter block by unscrewing the thermocouple nut.
4. Detach the electrode lead from the underside of the electrode tab.
6. Remove the two screws securing the pilot unit (See figure 40).
7. Refit in the reverse order.

Note:

1. The pilot unit is an atmosphere sensing device. It must be replaced as a whole assembly. Its individual components are not separately replaceable.

2. When the thermocouple is removed from the interrupter block, the microswitch lead terminals in the interrupter block will be loose. Make sure that they are properly secured to give a good electrical contact when retightening the thermocouple nut. Do not overtighten the nut.

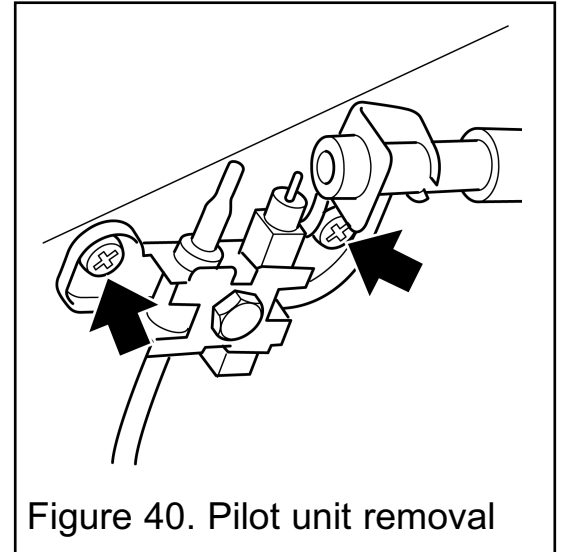


Figure 40. Pilot unit removal

17.10 To remove the shut-off tap.

(See figure 41).

1. Remove the burner unit (See section 17.6).
2. If lying the burner on its back, ensure that the work surface is suitably protected. This will avoid damage to the work surface. Turn the burner unit upside down. Detach the thermocouple and interrupter block from the tap (See section 17.8 paragraphs 2 - 4).
3. Detach the pilot pipe from the tap.
4. Detach the inlet pipe.
5. Remove the hexagonal nut securing the tap to the mounting bracket.
6. Detach the elbow by unfastening the hexagonal nut connecting it to the flow rate controller. Lift the tap (complete with elbow) clear.
7. Loosen the hexagonal locknut securing the elbow to the tap. Remove the elbow by rotating it.
8. If fitting a new tap, remove the hexagonal nut at the mounting bracket end of the old tap and fit to the replacement tap. Refit in the reverse order. When refitting, make sure that the tap spindle is in the correct relationship relative to the control pivot bracket. Rotate the pivot bracket fully clockwise. The tap spindle should “bottom out”

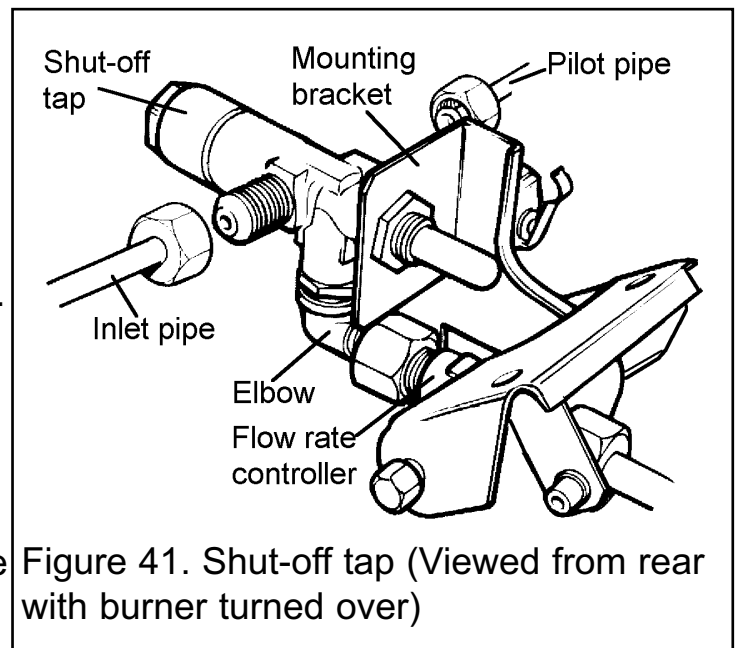


Figure 41. Shut-off tap (Viewed from rear with burner turned over)

INSTALLER GUIDE

(i.e. the tap should be fully open) after the pivot bracket has actuated the ignition microswitch but before it has pushed the microswitch leaf against the microswitch body.

When refitting the thermocouple and interrupter block, make sure that the microswitch wires are properly secured to give a good electrical contact.

17.11 To remove the gas flow rate controller.

(See figure 42).

1. Remove the burner unit (See section 17.6).
2. If lying the burner on its back, ensure that the work surface is suitably protected. This will avoid damage to the work surface.
3. Detach the shut-off tap as detailed in section 17.10 paragraphs 2-6.
4. Detach the burner pipe from the controller. Support the controller while detaching to prevent excessive strain.
5. Remove the nut and washer securing the control pivot bracket to the controller at the front. Support the pivot bracket while removing the nut to prevent possible damage to the microswitch.
6. Remove the hexagonal bolt securing the control pivot bracket to the controller at the rear.
7. Detach the control pivot bracket.
8. Remove the hexagonal nut securing the controller to the front mounting bracket and remove the flow rate controller.
9. Refit in the reverse order.

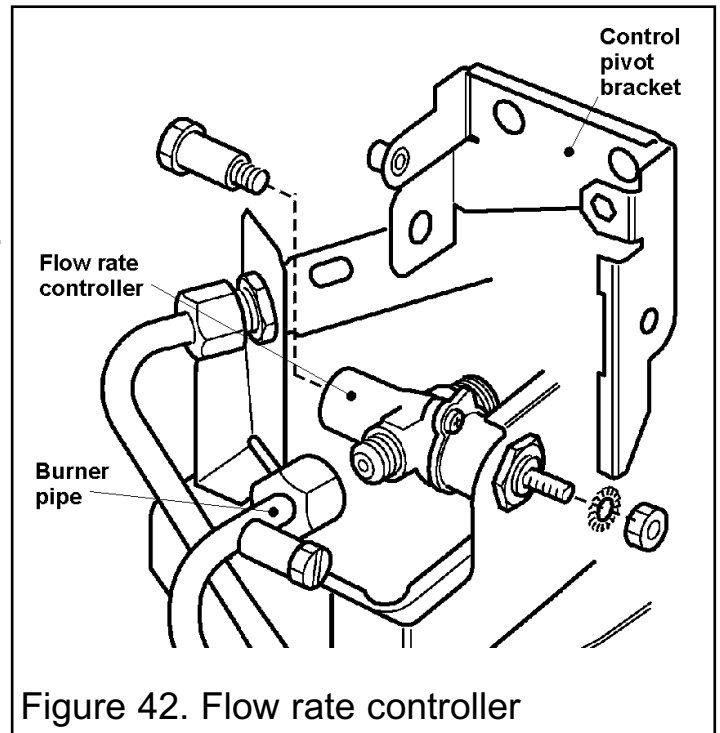


Figure 42. Flow rate controller

17.12 To replace the burner.

(See figure 43).

1. Remove the burner unit (See section 17.6).
2. Support the elbow injector and unscrew the injector nut.
3. Remove the two screws from the burner clamping plate (See figure 43)
4. Lift the right hand side of the burner, slide it to the right and lift clear.
5. Refit in reverse order.

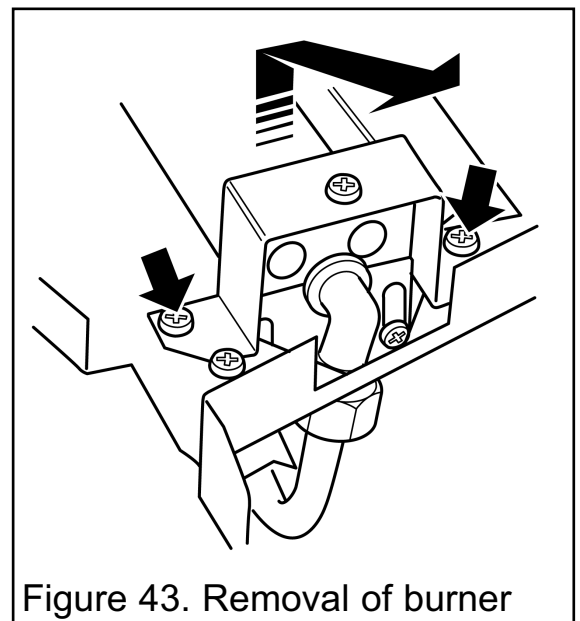


Figure 43. Removal of burner

INSTALLER GUIDE

17.13 To remove the main burner injector.

(See figure 44).

1. Remove the burner (See section 17.12, paragraphs 1-4).
2. Remove the burner clamping screw (See figure 44)
3. Unscrew the injector from the burner
4. Refit in the reverse order.

17.14 To remove the appliance from the fireplace.

1. Remove the burner unit (See section 17.6).
2. If the fire retention is as method 1 remove the fixing screws.

If the fire retention is as method 2 (See section 9.2 of installation instructions), slacken the hexagonal

adjusters on the cable retainers and unscrew the thumbscrews to release the cables.

3. Refit as described in the relevant installation sections. Make sure gas soundness, sealing, spillage test and performance are satisfactory.

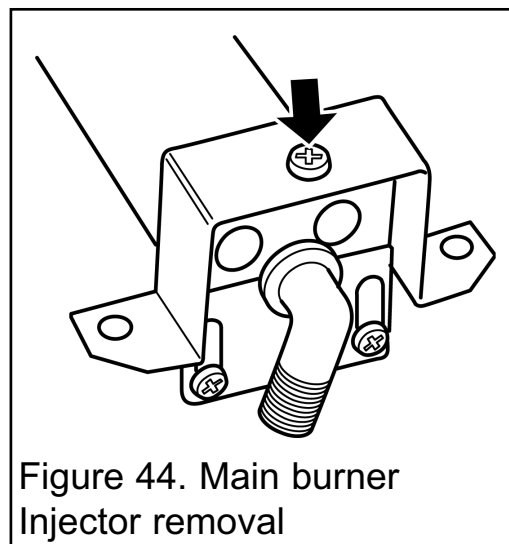


Figure 44. Main burner Injector removal

OWNER GUIDE

FOR WARRANTY AND SERVICE INFORMATION
SEE PAGES 51 TO 55

OWNER GUIDE

LIST OF CONTENTS

| <u>Section</u> | <u>Page</u> |
|--|--------------|
| SAFETY | 44 |
| APPLIANCE DIMENSIONS | 45 |
| GAS CONSUMPTION | 46 |
| OPERATING YOUR FIRE | 46 |
| The Oxysafe flame sensing and flue blockage safety system. | 46 |
| Lighting the pilot. | 47 |
| Lighting with a taper. | 48 |
| CLEANING YOUR FIRE | 49 |
| Metal Parts. | 49 |
| Ceramic fuel effect and rear wall. | 49 |
| Burner. | 49 |
| CERAMIC FUEL EFFECT REFITTING | 50 |
| MAINTENANCE | 50 |
| Battery replacement. | 50 |
| Regular maintenance. | 50 |
| Replacement ceramics. | 50 |
| WARRANTY, SERVICE AND BENCHMARK | 51-52 |
| BENCHMARK COMMISSIONING CHECKLIST | 53 |
| BENCHMARK SERVICE RECORD | 54 |
| SERIAL NUMBER LABEL | 55 |

This gas fire is designed to meet the most stringent quality, performance and safety requirements to provide you with many years' trouble-free service.

This guide aims to improve your understanding and appreciation of your gas fire by providing simple and informative instructions to ensure that you benefit from the excellent performance and features it has to offer.

OWNER GUIDE

SAFETY

IF YOU SMELL GAS

- **DON'T SMOKE.**
- **EXTINGUISH ALL NAKED FLAMES.**
- **DON'T TURN ELECTRICAL SWITCHES ON OR OFF.**
- **TURN OFF THE GAS SUPPLY AT THE METER OR TANK AS APPROPRIATE.**
- **OPEN DOORS AND WINDOWS TO GET RID OF THE GAS.**
- **IMMEDIATELY CALL THE GAS EMERGENCY SERVICE FROM A NEIGHBOURS PHONE - SEE YOUR LOCAL TELEPHONE DIRECTORY.**

Do have the fire installed by a competent person. In the United Kingdom, installation must be in accordance with the latest edition of the Gas Safety (installation & use) Regulations. In the Republic of Ireland, installation must be in accordance with all national and local regulations in force.

Do have the chimney swept prior to installation if it was previously used for solid fuel.

Do have the fire installed in accordance with the installer guide.

Do provide a minimum clearance of 750mm from the base of the fireplace opening to any shelf made of wood or other combustible material where the shelf is not more than 150mm deep. For a shelf deeper than 150mm, add 12.5mm to the clearance for every 25mm of additional shelf depth (See figure1).

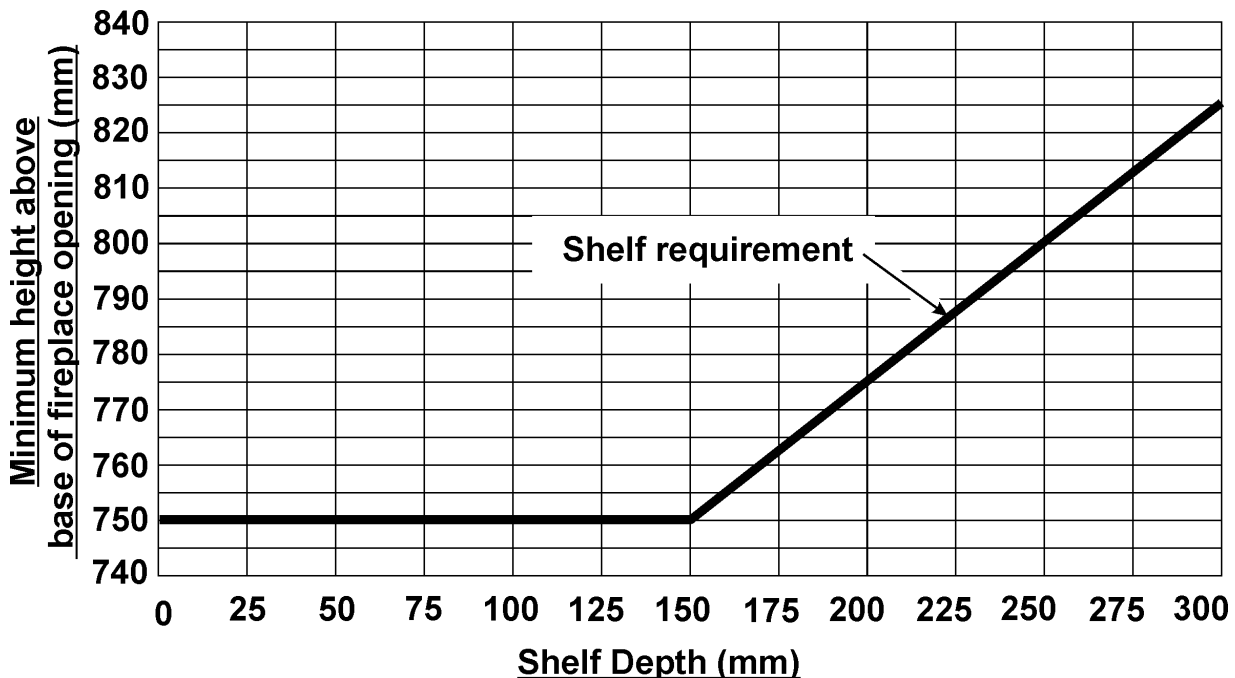


Figure 1. Combustible shelf clearances

Do always use a fireguard complying with BS 8423 for the protection of young children, the elderly or infirm.

Do wait three minutes before attempting to relight if the fire is switched off or the flames are extinguished for any reason (Your fire is fitted with a safety device that will automatically shut off the gas supply to the fire, if for any reason, the flame goes out).

OWNER GUIDE

Do get advice about the suitability of any wall covering near your fire. Soft wall coverings (e.g. embossed vinyl, etc.) which have a raised pattern are easily affected by heat. They may, therefore, scorch or become discoloured when close to a heating appliance. Please bear this in mind whenever you are considering redecorating.

Do provide a minimum side clearance as detailed in figure 2. Please bear this in mind if ever you are altering the room.

Don't hang clothing, towels or any other fabrics over the fire.

Don't put more ceramic fuel effect pieces on the fire than the number given in this guide or use any ceramic fuel effect pieces other than those authorised for this fire. This could cause incomplete combustion and subsequent safety hazard.

Don't put paper or other materials onto your fire.

Don't use the fire with damaged base ceramics.

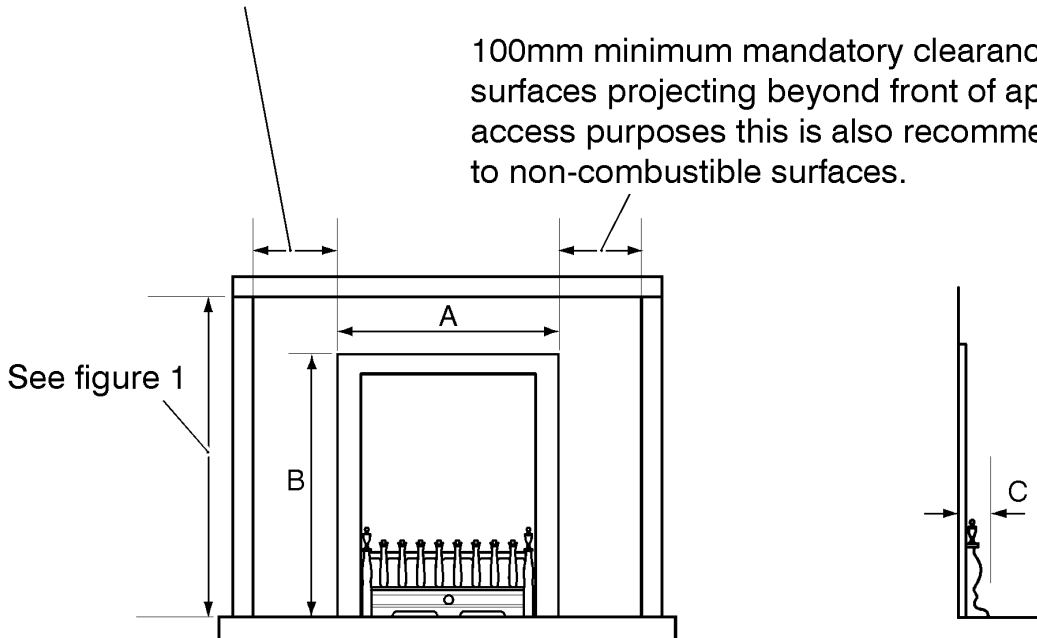
Don't place any combustible material (rugs, carpet, plastic tiles, etc.) on the hearth

Don't attempt to clean or service the fire until it has been switched off and allowed to cool completely.

APPLIANCE DIMENSIONS

100mm minimum mandatory clearance to combustible surfaces projecting beyond front of appliance. For access purposes a 10mm clearance is recommended to non-combustible surfaces.

100mm minimum mandatory clearance to combustible surfaces projecting beyond front of appliance. For access purposes this is also recommended to non-combustible surfaces.



| <u>Dimension</u> | <u>Alpha</u> | <u>Elegant</u> | <u>Dream/Masq./Excel.</u> | <u>Eternal</u> | <u>Decadent</u> | <u>Obsession</u> |
|------------------|--------------|----------------|---------------------------|----------------|-----------------|------------------|
| A | 492mm | 492mm | 518mm | 514mm | 529mm | 530mm |
| B | 598mm | 598mm | 636mm | 611mm | 630mm | 621mm |
| C | 84mm | 84mm | 94mm | 76mm | 120mm | 96mm |

Figure 2. Appliance dimensions (Shown with Alpha / Elegant fascia)

OWNER GUIDE

GAS CONSUMPTION

Model 953

Has a maximum natural gas input of 6.0kW (Gross)

Has a maximum natural gas output of 3.4kW

Has a minimum natural gas input of 2.7kW (Gross)

Has a minimum natural gas output of 1.4kW

Model 953 when converted using kit number 0595221

Has a maximum propane gas input of 6.1kW (Gross)

Has a maximum propane gas output of 3.5kW

Has a minimum propane gas input of 4.3kW (Gross)

Has a minimum propane gas output of 2.4kW

OPERATING YOUR FIRE

PLEASE NOTE

When operating your fire for the first time, some vapours may be given off which may cause a slight odour and could possibly set off any smoke alarms in the immediate vicinity. These vapours are quite normal with new appliances. They are totally harmless and will disappear after a few hours use.

The Oxysafe flame sensing and flue blockage safety system.

For your safety, this appliance is fitted with a flue blockage safety device which will shut down the appliance in the event of abnormal flue conditions. **This device is NOT a substitute for an independently mounted Carbon Monoxide detector.**

The device will also automatically shut off the gas supply to the fire if the pilot flame goes out due to lack of oxygen or for any other reason.

If this device starts to repeatedly shut off the gas, get expert advice.

This device incorporates a probe which senses that the heat from the pilot flame is correct. If this probe is cool, the device will prevent any gas flow unless the control knob is kept depressed at the ignition position.

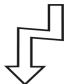
If, for any reason, the flames go out when the fire is hot or if the fire is turned off when hot, **always wait at least three minutes before attempting to relight.**

OWNER GUIDE

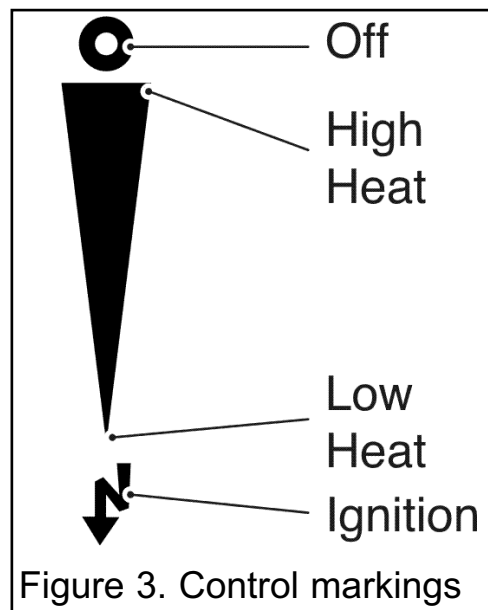
Lighting the pilot.

The control markings are shown in figure 3.

- Slide the control button to the bottom (ignition)

position marked . In this position, the electronic ignition system should cause a series of sparks that should light the pilot. Within four seconds of the pilot igniting, the main burner should light at its minimum setting.

If no sparks are produced to light the pilot, the battery may need replacing. Details of battery replacement are given further on in this manual. Until you can obtain a replacement battery the fire can be lit with a taper as described later in this section.



- Keep the button at the ignition position for a further ten seconds. This will prevent the flame sensing device from shutting off the gas while its probe warms up as explained above.

– If low heat is required, release the button. The button will automatically spring up to the low heat position shown in figure 3 (See note i). If for any reason the slider control does not spring up, raise the slider to the off (O) position (Topmost position) and contact your installer. Do not use the fire until the problem has been rectified.

– For a higher heat level slide the button upwards. The burner flames and heat output will gradually increase until the button reaches the high heat position shown in figure 3. When the button reaches the high heat position you will feel a check to its movement. Do not slide the button above the high heat position unless you want to turn the fire off (See note i).

Note

- If the flames go out while setting the control, repeat the full lighting procedure. If the flames repeatedly go out have the fire serviced.
- When first turned on the flames will appear predominantly blue. The ceramic fuel effect pieces will take time to warm up. Although some glow will be seen after approximately ten minutes, the full visual effect will only be apparent after a somewhat longer time.
- The appliance will operate to its maximum potential if the flue is primed during the first 20 - 30 minutes of operation. To do this, simply slide the control to its highest setting. This will also burn off any carbon deposits that may have formed during previous operations.
- If operating the appliance for long periods it is beneficial to change between settings. This will also help to remove any carbon deposits that may form during operation.

OWNER GUIDE

Lighting with a taper.

(See figure 4).

In the unlikely event of failure of the ignition spark, the pilot can be lit by a taper or long spill. Insert the taper or spill through the lower left hand opening in the front of the ceramic fuel effect.

– Follow the section ‘ Lighting the pilot’ as described previously.

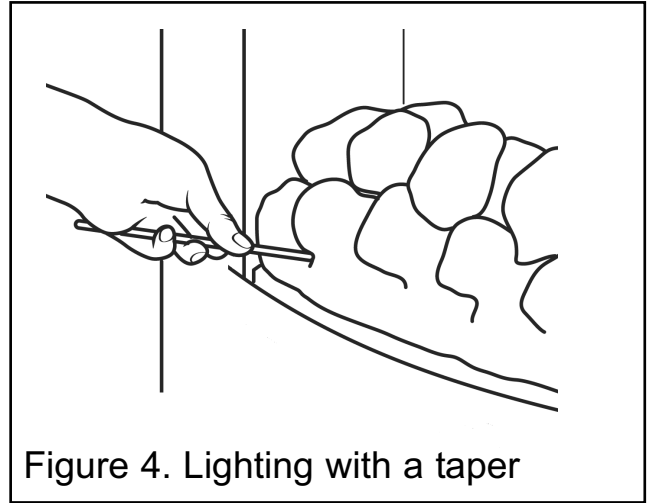


Figure 4. Lighting with a taper

OWNER GUIDE

CLEANING YOUR FIRE

To maintain the high performance and quality finish of your Valor Fires appliance, please follow these guidelines:

- Before attempting to clean the fire, please remember to turn off the fire and wait for the appliance to cool. The fire will retain heat for some time before cleaning can begin.
- If any pieces of debris are found in the firebox, have the chimney inspected before further use.

Metal Parts.

- Clean the metal parts with a slightly damp, lint free non-abrasive cloth and then dry.
- Do **not** use abrasive cleaners, as these will scratch the fire surface.

Ceramic fuel effect and rear wall.

- **This product uses fuel effect pieces and burner compartment rear wall containing Refractory Ceramic Fibres (RCF), which are man-made vitreous silicate fibres. Excessive exposure to this material may cause irritation to eyes, skin and respiratory tract. Consequently, it is important to take care when handling these articles to ensure that the release of dust is kept to a minimum.**
- Light coatings of soot will usually be burnt off during the normal operation of the fire.
- Should any soot accumulation become excessive, the fuel effect pieces and walls should be removed from the fire for cleaning.
- Cleaning should be carried out in a well ventilated area or in the open air by gently brushing with the pieces held away from your face so that you avoid inhaling the dust.
- We suggest that you remove the ceramic fuel effect pieces in the reverse order to that shown in the fuel bed refitting instructions.

Burner.

- The burner surface can be carefully cleaned to remove any loose particles after taking off the ceramic fuel effect pieces. Make sure that no particles are pushed into the burner holes.

OWNER GUIDE

CERAMIC FUEL EFFECT REFITTING

The installer and owner guide for the ceramic fuel effect is separate from this guide. The installer may have attached it to this guide or placed it inside. It is important that the installer and owner guide for the ceramic fuel effect is followed correctly. If replacing the ceramic fuel effect, where a new guide is supplied, follow the installer and owner guide supplied with the replacement fuel effect. Keep the replacement installer and owner guide with this owner guide for future reference.

MAINTENANCE

Battery replacement.

The igniter unit uses a 9V PP3 Alkaline battery. To replace the battery remove the firefront casting / front cover casting.

1. Remove and discard the battery from the ignition block located below the burner tray at the left side.
2. Fit the replacement battery to the ignition block. (See figure 5). The +ve and -ve terminal positions are marked on the battery holder body.
3. Replace the firefront casting /front cover casting.

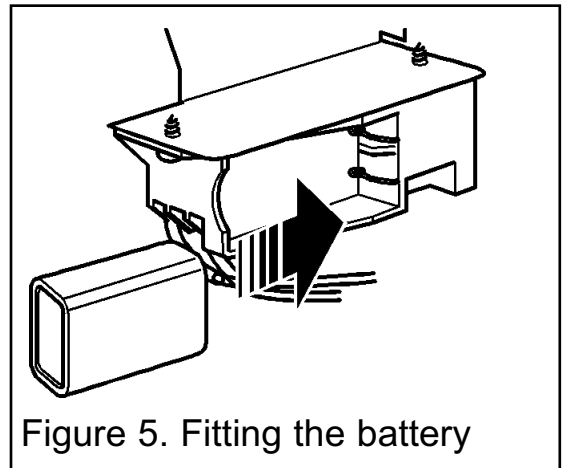


Figure 5. Fitting the battery

Regular maintenance.

In order to achieve and maintain high levels of personal safety and performance efficiency, it is essential that the opening at the back of the fire and the flue are kept clear of any form of obstruction. It is possible that deposits of mortar or soot could fall and accumulate causing the flue to be blocked or restricted and so preventing proper clearance of dangerous exhaust fumes.

In the United Kingdom it is the law that a landlord must have any gas appliance, flue and pipework which is situated in a tenant's premises checked for safety at least every twelve months by a competent person (In the UK a GAS SAFE REGISTER engineer, Outside of the UK a CORGI or GAS SAFE REGISTER engineer).

We recommend that all gas appliances and their flues, wherever situated, are checked annually.

– When fitting replacement parts it is important that only approved parts are used for maximum safety.

The service engineer must complete the relevant Service Record on after each service.

Replacement ceramics.

If you wish to replace any of the ceramic fuel effect pieces, spare parts are available via the 'GDC helpline'.

OWNER GUIDE

WARRANTY AND SERVICE

Standard Warranty Terms & Conditions

The warranty is for 12 months subject to contract.

In the United Kingdom servicing can be carried out either by a **GDC** service engineer or a **GAS SAFE REGISTER** engineer. Outside of the United Kingdom servicing can be carried out either by a **CORGI** or **GAS SAFE REGISTER** engineer. You must register your fire by calling our telephone registration line on **08444 810 214**.

This product should be serviced annually to optimise its safety, efficiency and performance. The **GAS SAFE REGISTER** service engineer must complete the relevant Service Record on the Benchmark Checklist after each service.

It is also a requirement of the warranty that the fire has an annual service (every 12 months) in accordance with the installation and servicing instructions.

Benchmark Checklist/Service Record



Please ensure that the installer has fully completed the Benchmark Checklist on the inside back pages of the installation instructions supplied with the product and that you have signed it to say that you have received a full and clear explanation of its operation. The installer is legally required to complete a commissioning checklist as a means of complying with the appropriate Building Regulations (England and Wales).

Installations carried out in England and Wales must be notified to Local Area Building Control either directly or through a Competent Persons Scheme. A Building Regulations Compliance Certificate will then be issued to the customer who should, on receipt, write the Notification Number on the Benchmark Checklist.

The filled in Benchmark Checklist/Service Record by the installer will be required in the event of any warranty (UK and Ireland installation).

After servicing, complete the relevant "Service Interval Record" section of the Benchmark Checklist located on the inside back pages of this document.

OWNER GUIDE

Our promise to you

If you experience a fault with your new fire, we aim to provide a safe and high quality repair service supported by our dedicated national network of highly skilled engineers. If your installer can't resolve the problem for you, we will do everything we can to get an engineer out to you as quickly as possible. Nothing in this warranty will affect your statutory rights.

What you need to do if you experience a problem with the operation of the fire:

- You should always contact your installer first, because the cause of the fault may not be related to the fire.
- If your installer confirms that the fault is with the fire and they can't repair it, our friendly customer service team is on hand to help.
- Simply call our UK GDC service division on **0844 879 35 88**, in Republic of Ireland on **01 842 8222** to book an engineer visit or for any general advice that you may need.

When calling the **Helpline**, it would be helpful if you could have the following information to hand:-

1. Fire serial number and fascia code (Located on the information label - See figure 6 on page 55)*.
2. Date of installation*.
3. Your installer name and address details*.
4. Fire make and model number*.
5. Annual Service record details*
6. Proof of purchase (if you do not have the fire serial number)

***Note: details 1 – 5 should be recorded as part of the Benchmark Checklist / Service record at the end of this guide.**

What this warranty covers

Free of charge repair or replacement of components found to be of faulty manufacture.

Free of charge replacement of the complete unit providing the failure is related to a manufacturing fault that cannot be repaired or is uneconomic to repair.

What this warranty does not cover

Repairs to fires which haven't been installed and commissioned properly and as set out in the installation instructions.

Faults caused by inadequate supply of gas or electricity (where applicable).

Reimbursement of any third party repair or replacement costs that we haven't been told about or agreed with you in advance.

Compensation or consequential losses (e.g. loss of earnings, business losses, stress and inconvenience) arising from a production breakdown, including repair delays caused by factors outside our reasonable control.

OWNER GUIDE

GAS FIRE COMMISSIONING CHECKLIST

This Commissioning Checklist is to be completed in full by the competent person who commissioned the gas fire as a means of demonstrating compliance with the appropriate Building Regulations and then handed to the customer to keep for future reference.

Failure to install and commission according to the manufacturer's instructions and complete this Benchmark Commissioning Checklist will invalidate the warranty. This does not affect the customer's statutory rights.

| | | | | |
|---|--|-------------------------------------|-----|-----|
| Customer name: | | Telephone number: | | |
| Address: | | | | |
| Gas Fire make and model: | | | | |
| Gas Fire serial number: | | | | |
| Commissioned by (PRINT NAME): | | Gas Safe register number: | | |
| Company name: | | Telephone number: | | |
| Company address: | | | | |
| | | Commissioning date: | | |
| Building Regulations Notification Number (if applicable): | | | | |
| Site Requirements | | | Yes | N/A |
| Was the chimney checked to ensure it only serves one flue/fire, has no obstructions and is continuous? | | | | |
| Has any debris at the base of the chimney been removed? | | | | |
| For brick chimney installations is there enough depth for 12 litres of debris, or precast flues 2 litres of debris? (see instructions for debris gap details) | | | | |
| Have damper and register plates been removed or locked in the fully open position ensuring correct size of flue is maintained? | | | | |
| If previously used for solid fuel has the chimney been thoroughly swept? | | | | |
| If the chimney is pre-cast has the inside of the flue been checked for extruded cement / sealant which must be removed? | | | | |
| Has the fire place been checked for under-floor air supply which must be sealed off? | | | | |
| Has the chimney been inspected prior to fitting the gas fire to ensure that it is in good condition? | | | | |
| Has the structure of the chimney been checked for leakage using a smoke pellet test? (See BS5440-1 for details). | | | | |
| Ventilation | | | | |
| Does the installation require any additional ventilation requirements as detailed in the manufacturer's instructions? | | | | |
| Hearth Requirements- where fitted | | | | |
| Is the hearth constructed from non-combustible material? | | | | |
| Is the hearth a minimum of 12mm thick with a minimum floor to top surface of 50mm?(BS5871) or as per manufacturer's instructions? | | | | |
| Is the hearth for open fronted fires a minimum of 760mm wide and has 300mm projecting from the fire opening (BS6871) or to manufacturer's instructions? | | | | |
| Mounting height (where applicable) has the fire been installed to the correct mounting height- as per manufacturer's instructions? | | | | |
| Firebox and Fuel Bed | | | | |
| Has the fuel bed, coals, pebbles etc. been fitted to manufacturer's instructions? | | | | |
| Gas Supply | | | | |
| Has an isolation tap/restrictor inlet elbow been fitted for servicing? | | | | |
| Has the gas supply been thoroughly purged prior to connection to remove any debris? | | | | |
| Has a gas tightness test been completed prior to breaking into the gas supply and following completion of installation?(IGEM/UP/1B) | | | | |
| Record burner gas pressure reading? If only the supply pressure is available a gas rate must be undertaken.(GSIUR REG26/9C) | | | | |
| Record dynamic inlet gas pressure (working pressure) reading (all gas appliances running) | | | | |
| Spillage test | | | | |
| Installation passes smoke match test with any extractor fans turned on (see manufacturer's instructions) | | | | |
| Installation | | | | |
| Has the gas fire been installed and commissioned in accordance with manufacturer's instructions? | | | | |
| Has the fire been installed with the correct clearance to combustible materials, as per manufacturer's instructions? | | | | |
| The operation of the appliance and controls have been demonstrated to the customer including battery replacement where applicable? | | | | |
| The manufacturer's literature, including Benchmark Checklist and Service record has been explained and left with the customer? | | | | |
| Has the appliance been registered with the Local Authority as detailed on the Gas Safe web site and is a legal requirement and forms part of the warranty? | | | | |
| Customer's Signature: | | Commissioning Engineer's Signature: | | |
| (To confirm satisfactory demonstration and receipt of manufacturer's literature) | | | | |

*All installations in England and Wales must be notified to be Local Authority Building Control (LABC) either directly or through a Persons Scheme. A Building Regulations Compliance Certificate will then be issued to the customer.



OWNER GUIDE

SERVICE RECORD

It is essential that your gas fire is serviced regularly and that the appropriate Service Interval Record is completed.

Service Provider

Before completing the appropriate Service Record below, please ensure you have carried out the service as described in the manufacturer's instructions. Always use the manufacturer's specified spare part when replacing controls.

| | | | |
|-----------------------|-------|-----------------------|-------|
| SERVICE 01 | Date: | SERVICE 02 | Date: |
| Engineer name: | | Engineer name: | |
| Company name: | | Company name: | |
| Telephone No: | | Telephone No: | |
| Gas safe register No: | | Gas safe register No: | |
| Comments: | | Comments: | |
| Signature | | Signature | |
| SERVICE 03 | Date: | SERVICE 04 | Date: |
| Engineer name: | | Engineer name: | |
| Company name: | | Company name: | |
| Telephone No: | | Telephone No: | |
| Gas safe register No: | | Gas safe register No: | |
| Comments: | | Comments: | |
| Signature | | Signature | |
| SERVICE 05 | Date: | SERVICE 06 | Date: |
| Engineer name: | | Engineer name: | |
| Company name: | | Company name: | |
| Telephone No: | | Telephone No: | |
| Gas safe register No: | | Gas safe register No: | |
| Comments: | | Comments: | |
| Signature | | Signature | |
| SERVICE 07 | Date: | SERVICE 08 | Date: |
| Engineer name: | | Engineer name: | |
| Company name: | | Company name: | |
| Telephone No: | | Telephone No: | |
| Gas safe register No: | | Gas safe register No: | |
| Comments: | | Comments: | |
| Signature | | Signature | |
| SERVICE 09 | Date: | SERVICE 10 | Date: |
| Engineer name: | | Engineer name: | |
| Company name: | | Company name: | |
| Telephone No: | | Telephone No: | |
| Gas safe register No: | | Gas safe register No: | |
| Comments: | | Comments: | |
| Signature | | Signature | |



OWNER GUIDE

Model

Serial number (Can be found on information label - See figure 6)

A LABEL CONTAINING THE SERIAL NUMBER MAY HAVE BEEN PLACED INSIDE THIS BOX.

Fascia name (Block Capitals)

Fascia code - Can be found on information label (Block Capitals)

A LABEL CONTAINING THE FASCIA CODE MAY HAVE BEEN PLACED INSIDE THIS BOX.

Brand (Please tick)

Valor

Other.....

Date of Installation

D D M M Y Y

